

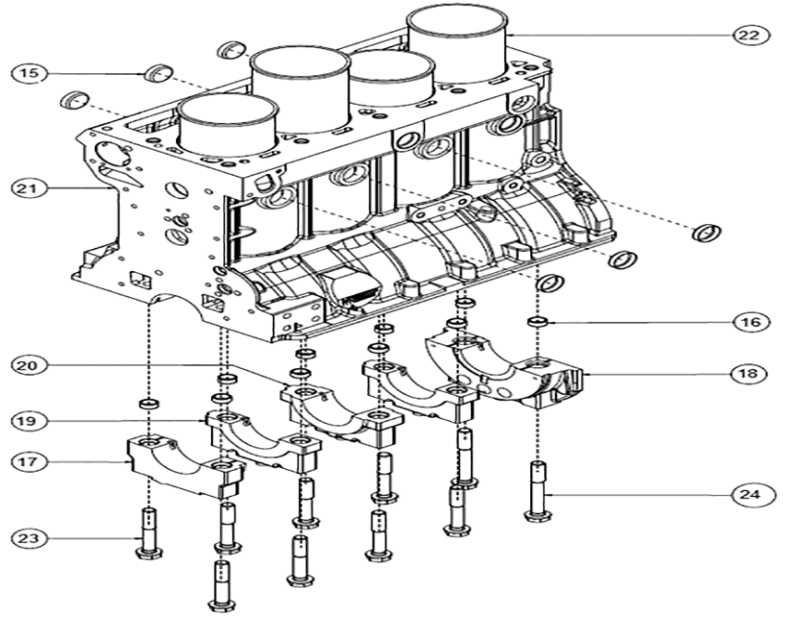
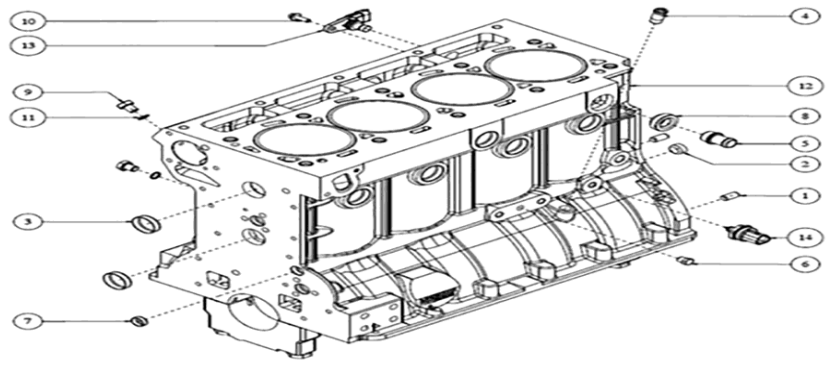


AGRIFARM SERİSİ 6060-7575 MODEL



YEDEK PARÇA KATOLOG



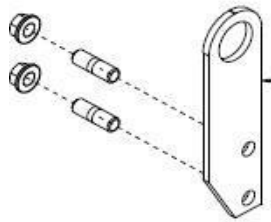


MOTOR BLOĐU VE İLGİLİ PARÇALAR

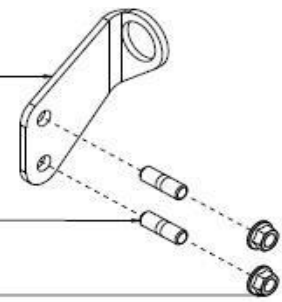
GRUP:- P-

S. No.	PART NO.	PART NAME	PARÇA KODU	PARÇA ADI	ADET		AÇIKLAMA
					6000	7500	
					4WD	4WD	
		ENGINE ASSY 60HP	3602060	MOTOR 60 HP	1	-	KOMPLE
		ENGINE ASSY 75HP	3602075	MOTOR 75 HP	-	1	KOMPLE
1	487612100200	DOWEL(350016)	3602A001	MERKEZLEME BURCU	2	2	
2	487612100300	PLUG(650566)	3602A002	TAPA	1	1	
3	487612100400	PLUG(650710)	3602A003	TAPA	5	5	
4	487612100500	PIPE_LUB_OIL_SEPERATOR(62 SG3001)	3602A004	YAĐLAMA BORUSU AYIRICI	1	1	
5	487612100600	CONNECTION_WATERLINE(62 SG3022)	3602A005	SUYOLU BAĐLANTI REKORU	2	2	
6	487612100700	PLUG(65DE0036)	3602A006	TAPA	1	1	
7	487612100800	PLUG(65SG3001)	3602A007	TAPA	1	1	
8	487612100900	PLUG_COOLANT_CONNECTIO N(65SG3009)	3602A008	SUYOLU BAĐLANTI TAPASI	2	2	
9	487612101000	SETSCREW(74DE0220)	3602A009	AYAR CİVATASI	2	2	

10	487612101100	SETSCREW(74SG3029)	3602A010	AYAR CİVATASI	1	1	
11	487612101200	WASHER(92DE0009)	3602A011	PUL	2	2	
12	487612101300	BLOCK_CYLINDER_ASSEMBLY(99SG4660)	3602A012	SİLİNDİR BLOK KOMPLE	1	1	
13	487612101400	CAM/PHASE_SENSOR(DE006124)	3602A013	KAM MİL SENSÖRÜ	1	1	
14	487612101500	COMBINED_OIL_PRESSURE_TEMPERTAURE_SENSOR(DE006804)	3602A014	YAĞ BASINÇ SENSÖRÜ	1	1	
15	487612100400	PLUG(650710)	3602A003	TAPA	8	8	
16	487612101700	THIMBLE(870001)	3602A016	ANA YATAK KEPİ BURCU	10	10	
17	487612101800	CAP_BEARING_FRONT_SEMIFIN-ISHED(15SG453S)	3602A017	ANA YATAK KEPİ ÖN	1	1	
18	487612101900	CAP_BEARING_REAR_SEMIFIN-ISHED(15SG454S)	3602A018	ANA YATAK KEPİ ARKA	1	1	
19	487612102000	CAP_BEARING_INTERMEDIATE_SEMI_FIN-ISHED(15SG455S)	3602A019	ANA YATAK KEPİ ÖN ORTA	2	2	
20	487612102100	CAP_BEARING_MIDDLE_SEMI_FIN-ISHED(15SG456S)	3602A020	ANA YATAK KEPİ ARKA ORTA	1	1	
21	487612102200	CYLINDER_BLOCK_INDUSTRIAL(28SG4071)	3602A021	SİLİNDİR BLOK	1	1	
22	487612102300	CYLINDER_LINER_PRODUCTION_PART_FIN-ISHED(53SG3020)	3602A022	SİLİNDİR GÖMLEK	4	4	
23	487612102400	BOLT(S4007428)	3602A023	YATAK SAPLAMASI	8	8	
24	487612102500	BOLT(S4007429)	3602A024	YATAK SAPLAMASI	2	2	



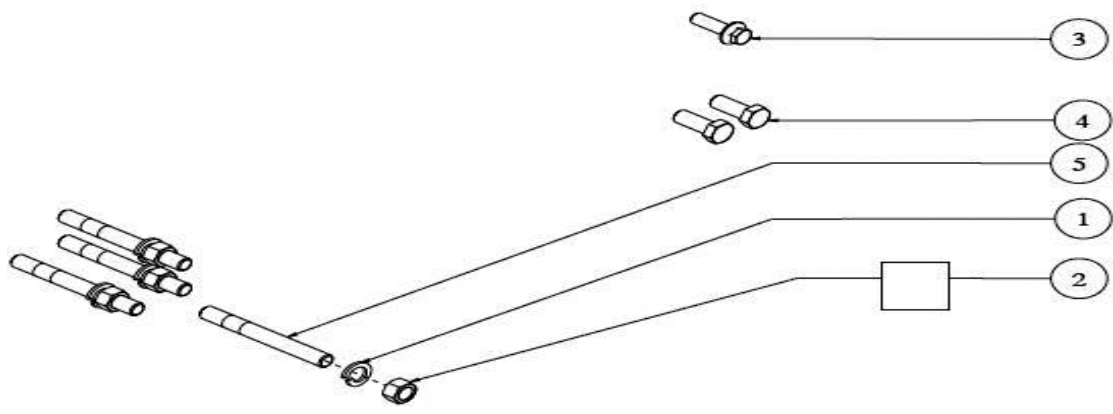
- 3
- 1
- 4
- 2



MOTOR BAĞLANTI BRAKETİ 1 VE İLGİLİ PARÇALAR

GRUP:- P-

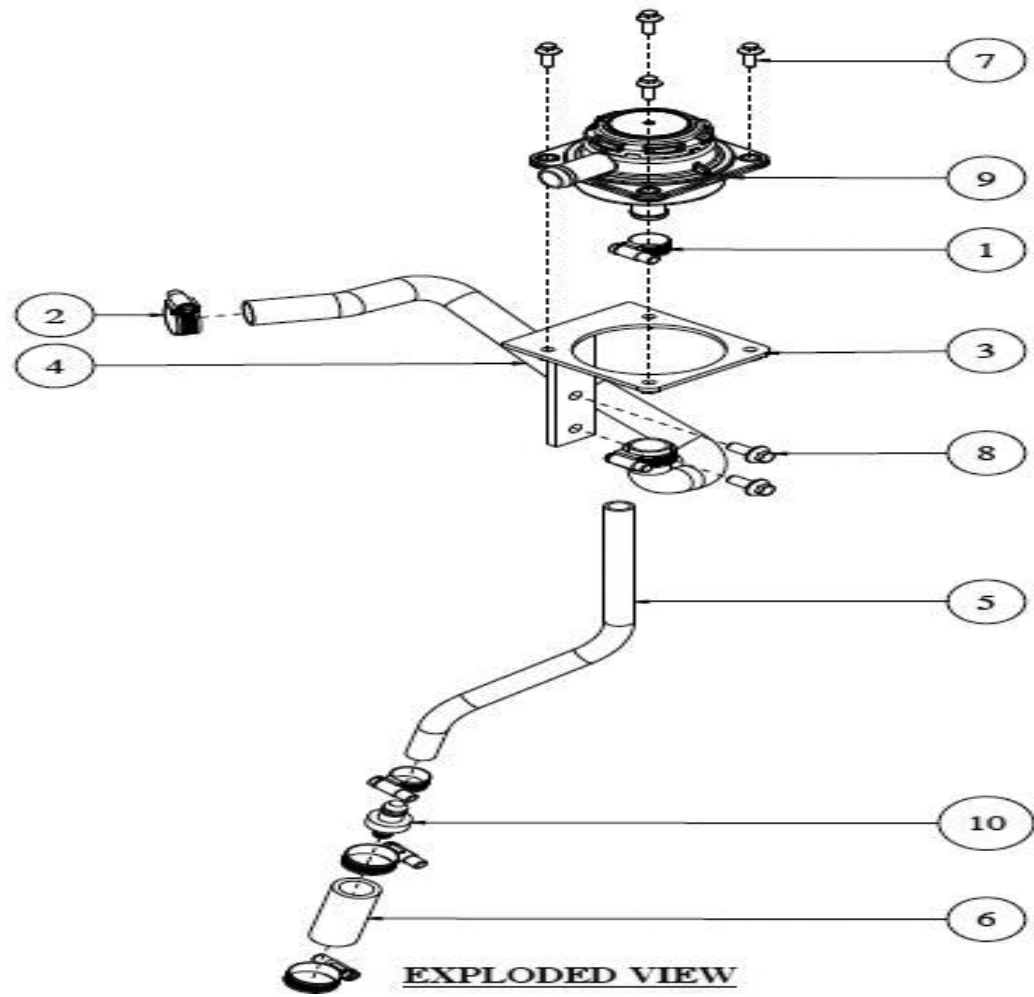
S. No.	PART NO.	PART NAME	PARÇA KODU	PARÇA ADI	ADET		AÇIKLAMA
					6000	7500	
					4WD	4WD	
1	487612112800	LIFTING_HOOK_REAR(10SG4152)	3602A025	MOTOR KALDIRMA BRAKETİ	1	1	
2	487612112900	NUT(57DE0103)	3602A026	SOMUN	4	4	
3	487612113000	HOOK_ENGINE_LIFTING(94SG3039)	3602A027	MOTOR KALDIRMA BRAKETİ	1	1	
4	487612113100	STUD(S4008209)	3602A028	SAPLAMA	4	4	



MOTOR BAĞLANTI BRAKETİ 2 VE İLGİLİ PARÇALAR

GRUP:- P-

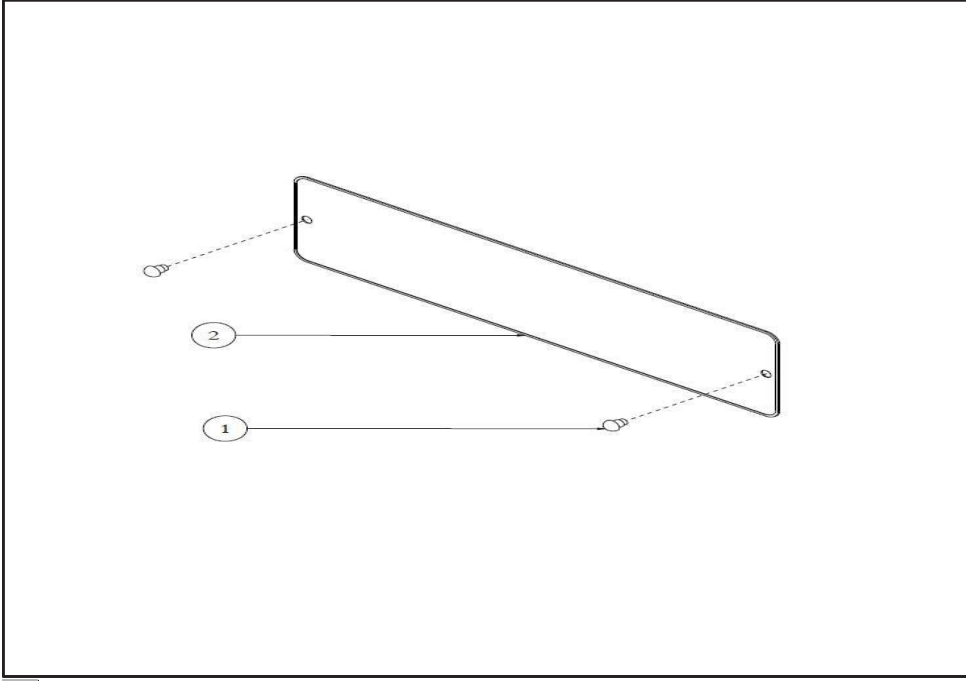
S. No.	PART NO.	PART NAME	PARÇA KODU	PARÇA ADI	ADET		AÇIKLAMA
					6000	7500	
					4WD	4WD	
1	487612129600	WASHER_SPRING(920056)	3602A029	SEGMAN	8	8	
2	487612129700	NUT(57S30051)	3602A030	SOMUN	8	8	
3	487612129800	BOLT(74DE0294)	3602A031	CIVATA	2	2	
4	487612129900	SETSCREW(74S30179)	3602A032	AYAR CIVATASI	4	4	
5	487612130000	STUD(82S30118)	3602A033	SAPLAMA	8	8	



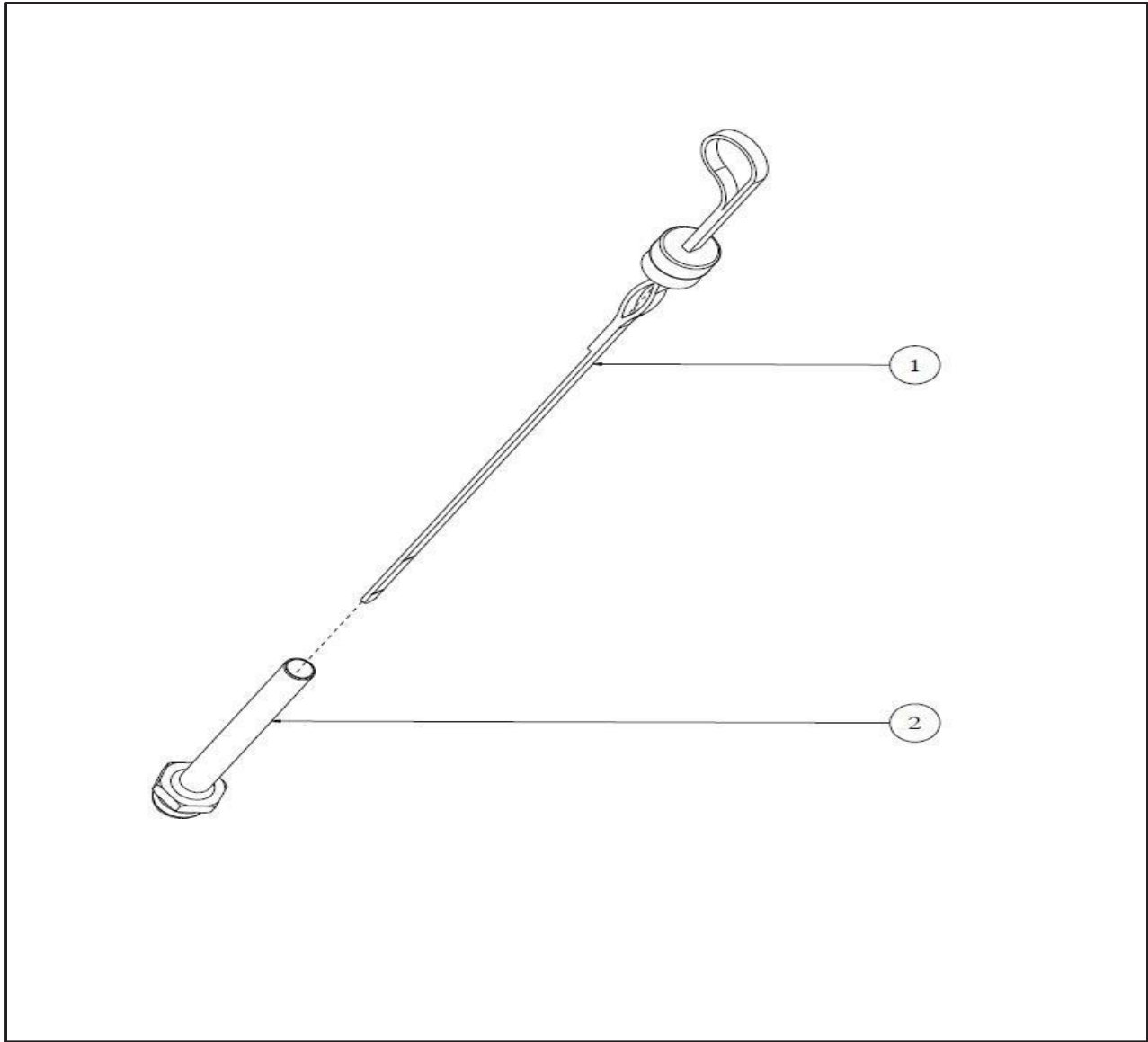
MOTOR HAVALANDIRMA VE İLGİLİ PARÇALAR

GRUP:- P-

S. No.	PART NO.	PART NAME	PARÇA KODU	PARÇA ADI	ADET		AÇIKLAMA
					6000	7500	
					4WD	4WD	
1	487612125200	CLIP(180063)	3602A034	HAVALANDIRMA BORUSU KELEPÇESİ	4	4	
2	487612125300	CLIP(180064)	3602A035	HAVALANDIRMA BORUSU KELEPÇESİ	2	2	
3	487612125400	BRACKET_CCV_HORIZONTAL_MOUNT- ING(10SG4151)	3602A036	HAVALANDIRMA BAĞLANTI BRAKETİ	1	1	
4	487612125500	HOSE_CYL.HEAD_COVER_TO_BREATH- ER(20SG4127)	3602A037	HAVALANDIRMA BAĞLANTI BORUSU	1	1	
5	487612125600	HOSE_BREATHER_TO_CYLINDER_BLOCK(20SG4128)	3602A038	HAVALANDIRMA BAĞLANTI BORUSU ALT	1	1	
6	487612125700	HOSE(62SG3041)	3602A039	HAVALANDIRMA BAĞLANTI ALT HORTUM	1	1	
7	487612101100	SETSCREW(74SG3029)	3602A010	AYAR CİVATASI	4	4	
8	487612125900	SETSCREW(74SG3040)	3602A041	AYAR CİVATASI	2	2	
9	487612126000	BREATHER_ASSEMBLY(DE006676)	3602A042	MOTOR HAVALANDIRMA	1	1	
10	487612126100	NRV_FLEET_GUARD(NRV_FLEET_GUARD)	3602A043	MOTOR HAVALANDIRMA VALFİ	1	1	



MOTOR TANITIM ETİKETİ VE İLGİLİ PARÇALAR							GRUP:- P-	
S. No.	PART NO.	PART NAME	PARÇA KODU	PARÇA ADI	ADET		AÇIKLAMA	
					6000	7500		
					4WD	4WD		
1	487612134600	RIVET_NAME_PLATE(2154007)	3602A044	PERÇİN	2	2	413094419900	
2	487612134700	NAME_PLATEE SJV436 (94SG4264)	3602A045	MOTOR TANITIM ETİKETİ	1	1		



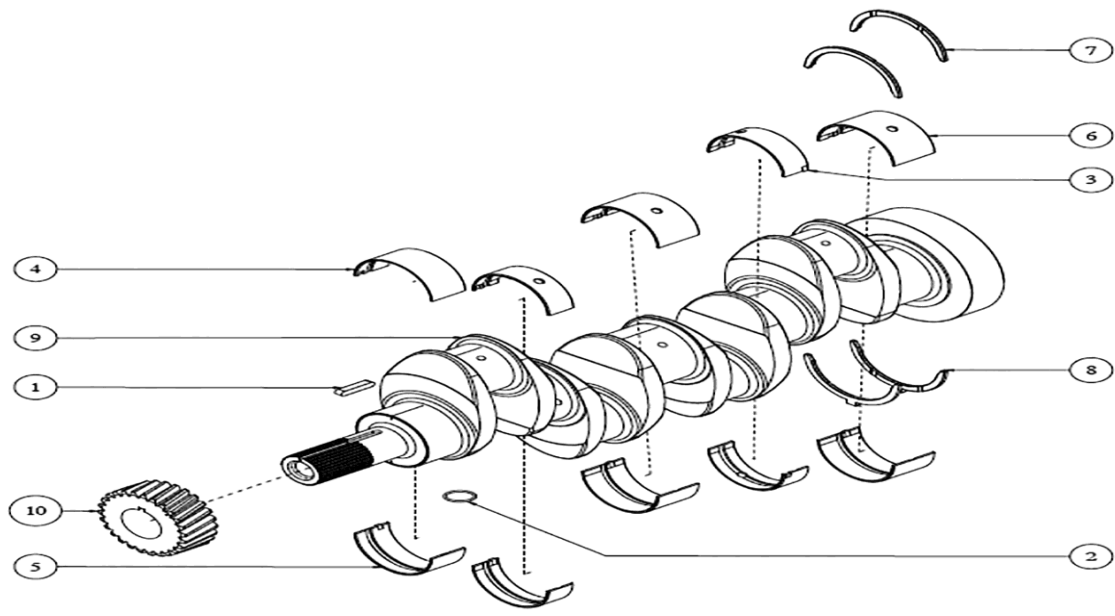
1

2

MOTOR YAĞ ÇUBUĞU VE İLGİLİ PARÇALAR

GRUP:- P-

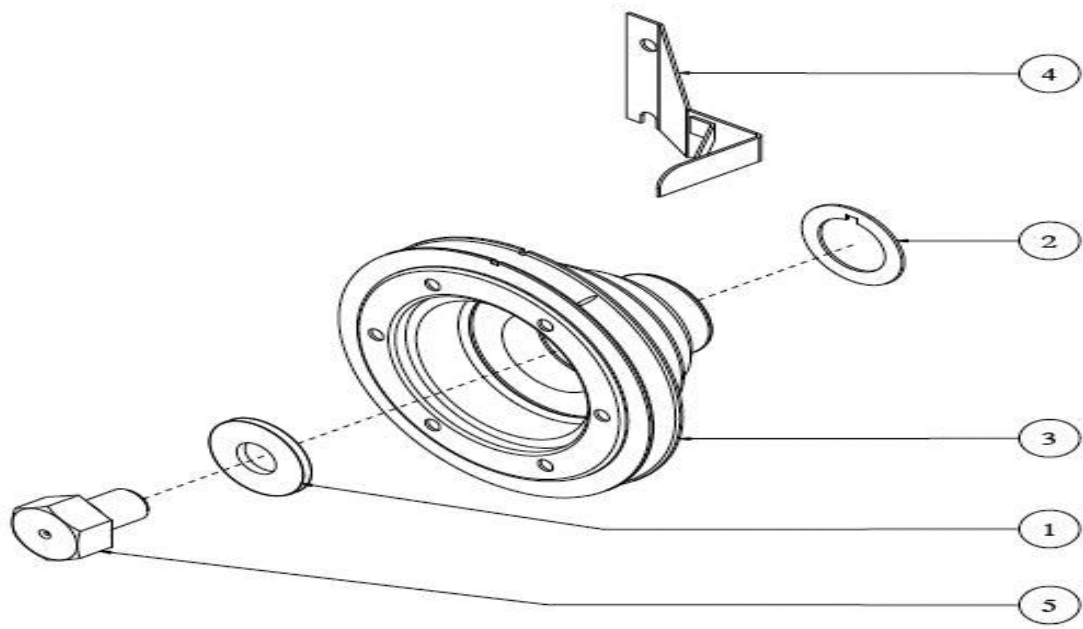
S. No.	PART NO.	PART NAME	PARÇA KODU	PARÇA ADI	ADET		AÇIKLAMA
					6000	7500	
					4WD	4WD	
1	487612134800	DIPSTICK_ASSEMBLY(S4003207)	3602A046	MOTOR YAĞ ÇUBUĞU	1	1	
2	487612134900	TUBE_DIPSTICK(S4099136)	3602A047	MOTOR YAĞ ÇUBUĞU BRAKETİ	1	1	



KRANK MİLİ VE İLGİLİ PARÇALAR

GRUP:- P-

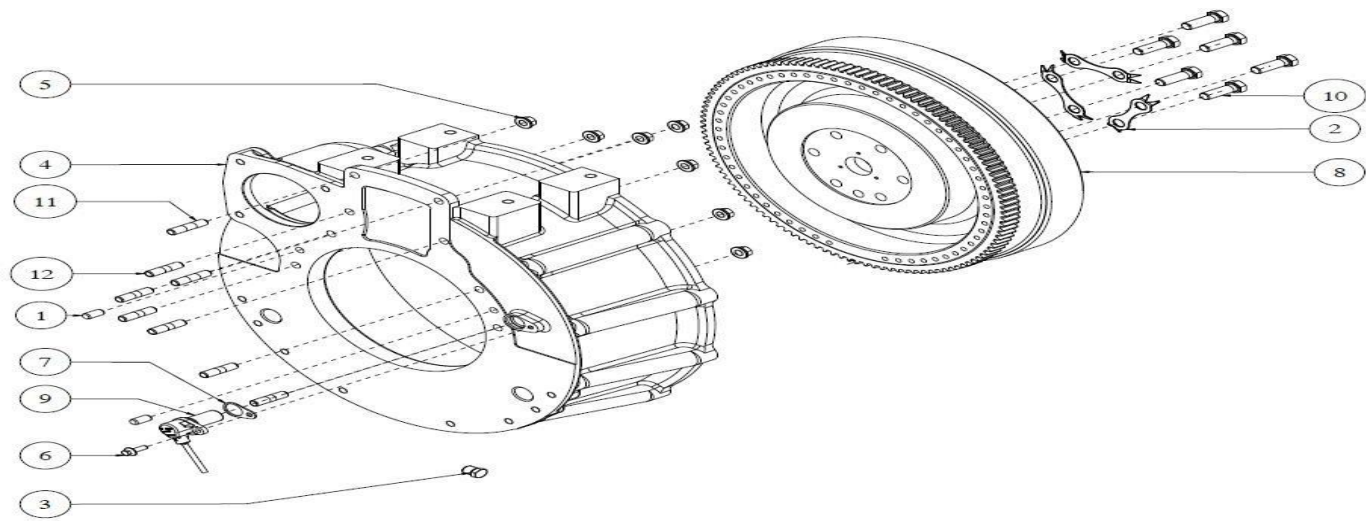
S. No.	PART NO.	PART NAME	PARÇA KODU	PARÇA ADI	ADET		AÇIKLAMA
					6000	7500	
					4WD	4WD	
1	487612102600	KEY_CRANKSHAFT(500168)	3602B001	KRANK MİLİ ANAHTARI	1	1	
2	487612102700	O_RING(2415608)	3602B002	KRANK MİLİ ALT O-RING	2	2	
3	487612102800	BEARING_MAIN(31121261)	3602B003	ANA YATAK ÜST	4	4	
4	487612102900	BEARING_MAIN(31122411)	3602B004	ANA YATAK ÜST	1	1	
5	487612103000	BEARING_MAIN(31122421)	3602B005	ANA YATAK ALT	1	1	
6	487612103100	BEARING_MAIN(31123331)	3602B006	ANA YATAK ALT	4	4	
7	487612103200	WASHER_THRUST(31137211)	3602B007	GEZİ AYI ÜST	2	2	
8	487612103300	WASHER_THRUST(31137221)	3602B008	GEZİ AYI ALT	2	2	
9	487612103400	CRANKSHAFT_SERRATED(265 G4012)	3602B009	KRANK MİLİ	1	1	
10	487612103500	GEAR_CRANK_SHAFT(S400410 1)	3602B010	KRANK MİLİ DİŞLİSİ	1	1	
11		MAIN BEARING	3602B011	ANA YATAK SET	1	1	
12		THRUST WASHER	3602B012	GEZİ AYI SET	1	1	



KRANK MİLİ VE İLGİLİ PARÇALAR

GRUP:- P-

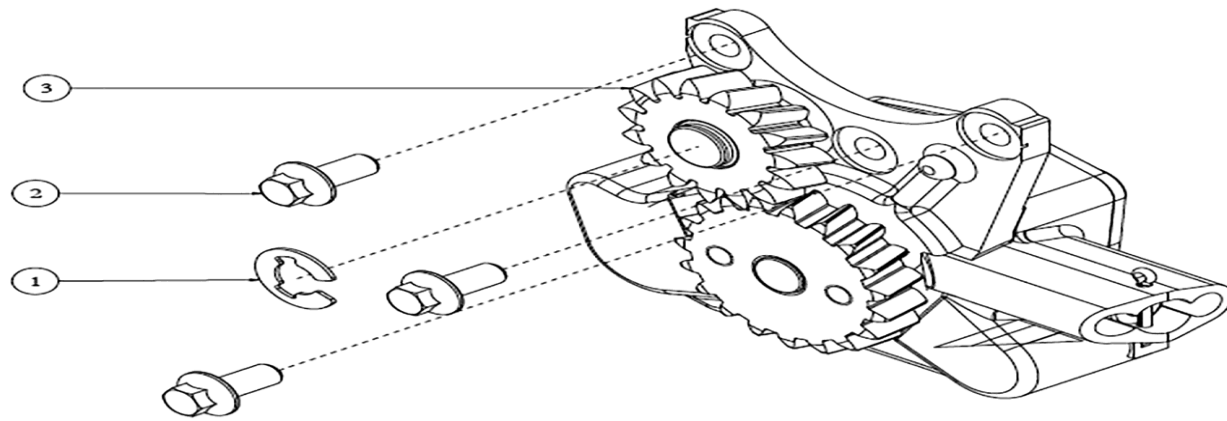
S. No.	PART NO.	PART NAME	PARÇA KODU	PARÇA ADI	ADET		AÇIKLAMA
					6000	7500	
					4WD	4WD	
1	487612118000	WASHER_CRANKSHAFT_PULLEY(33125112)	3602B013	KRANK PULU	1	1	
2	487612118100	WASHER(33176137)	3602B014	KRANK KASNAĞI SEGMANI	1	1	
3	487612118200	PULLEY_CRANKSHAFT(67SG4020)	3602B015	KRANK KASNAĞI	1	1	
4	487612118300	POINTER_TIMING(94SG3135)	3602B016	KRANK KASNAĞI BRAKETİ	1	1	
5	487612118400	SETSCREW(S4007426)	3602B017	KRANK KASNAĞI PULU CİVATASI	1	1	



VOLAN VE İLGİLİ PARÇALAR

GRUP:- P-

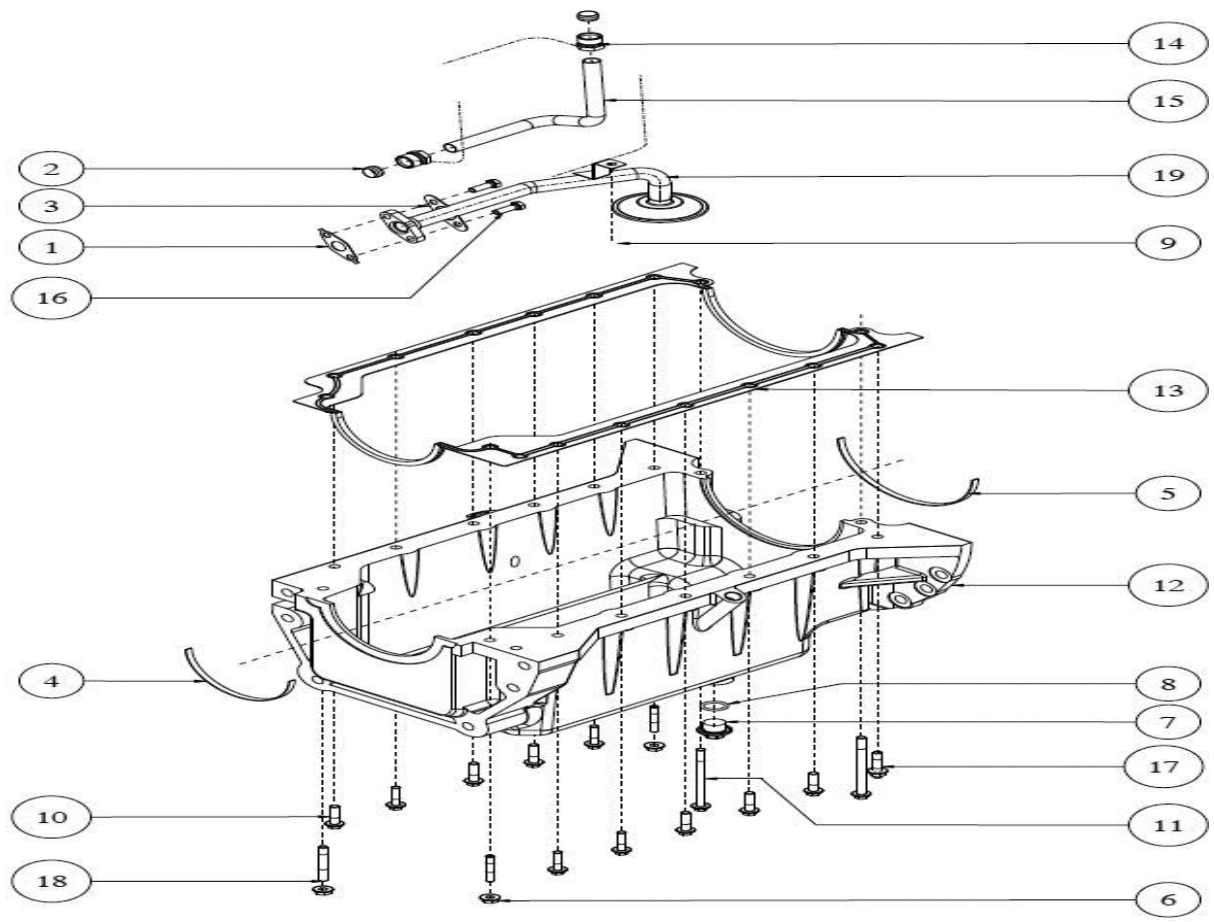
S. No.	PART NO.	PART NAME	PARÇA KODU	PARÇA ADI	ADET		AÇIKLAMA
					6000	7500	
					4WD	4WD	
1	487612100200	DOWEL(350016)	3602A001	MERKEZLEME BURCU	2	2	
2	487612133500	WASHER_TAB(921062)	3602B019	VOLAN SABİTLEME PLEYTİ	3	3	
3	487612133600	PLUG(32161114)	3602B020	VOLAN MUHAFAZA TAPASI	1	1	
4	487612133700	FLYWHEEL_HOUSING(44SG4096)	3602B021	VOLAN MUHAFAZASI	1	1	
5	487612112900	NUT(57DE0103)	3602A026	SOMUN	8	8	
6	487612101100	SETSCREW(74SG3029)	3602A010	AYAR CİVATASI	1	1	
7	487612135500	PLAIN_WASHER_(SPEED_SENSOR)(92SG3010)	3602J020	DEVİR SENSÖRÜ PULU	1	1	
8	487612134100	FLYWHEEL_ASSEMBLY_ACE(99SG4963)	3602B025	VOLAN	1	1	
9	487612135600	ROTATIONAL_SPEED_SENSOR(DE006123)	3602J021	DEVİR SENSÖRÜ	1	1	
10	487612134300	BOLT(S4007444)	3602B027	VOLAN CİVATASI	6	6	
11	487612134400	STUD(S4008208)	3602B028	VOLAN MUHAFAZA SAPLAMASI	2	2	
12	487612134500	STUD(S4008210)	3602B029	VOLAN MUHAFAZA SAPLAMASI	6	6	



MOTOR YAĞ POMPASI VE İLGİLİ PARÇALAR

GRUP:- P-

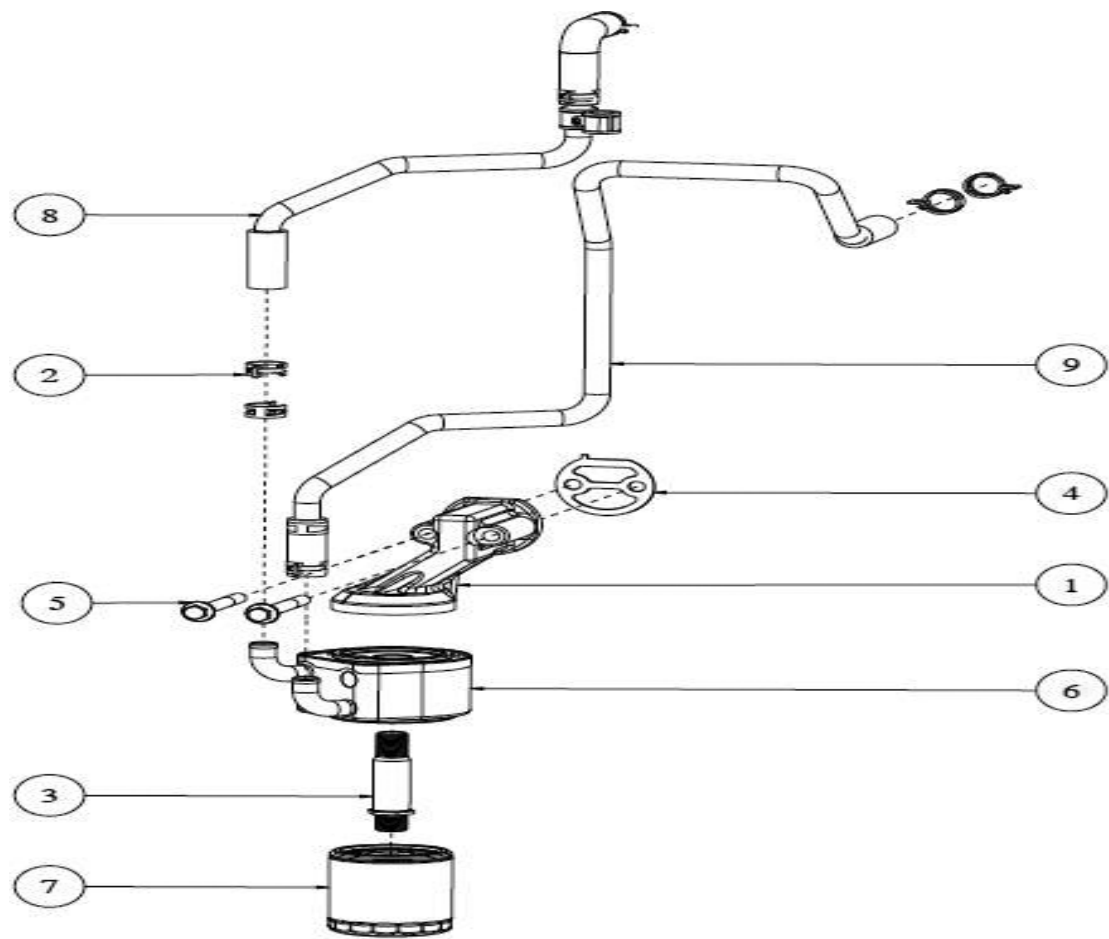
S. No.	PART NO.	PART NAME	PARÇA KODU	PARÇA ADI	ADET		AÇIKLAMA
					6000	7500	
					4WD	4WD	
1	487612103600	CIRCLIP(180831)	3602C001	YAĞ POMPASI KİLİT SEGMANI	1	1	
2	487612103700	SETSCREW(745G3079)	3602C002	YAĞ POMPASI AYAR CIVATASI	3	3	
3	487612103800	PUMP_OIL_LUBRICATING_ASS EMBLY- (99SG4100)	3602C003	YAĞ POMPASI KOMPLE	1	1	



KARTER VE İLGİLİ PARÇALAR

GRUP:- P-

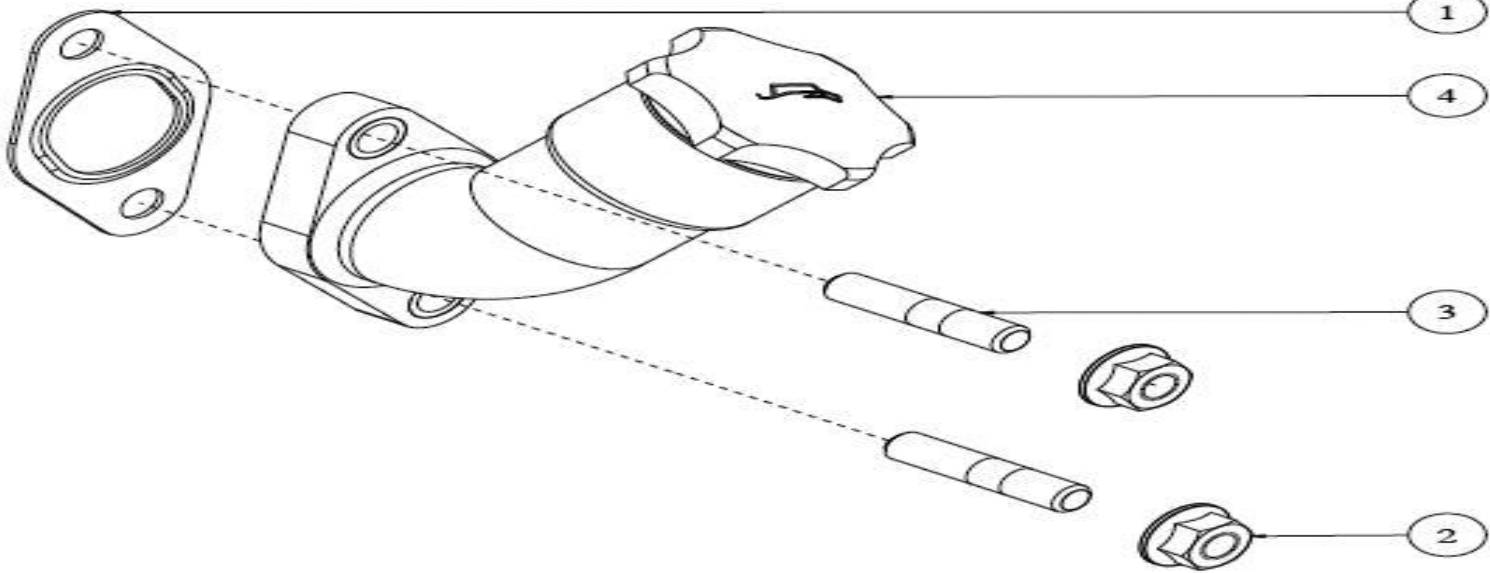
S. No.	PART NO.	PART NAME	PARÇA KODU	PARÇA ADI	ADET		AÇIKLAMA
					6000	7500	
					4WD	4WD	
1	487612107300	JOINT(490016)	3602C004	YAĞ SÜZGEÇİ CONTASI	1	1	
2	487612107400	OLIVE(560244)	3602C005	REKOR	2	2	
3	487612107500	WASHER_TAB(920798)	3602C006	YAĞ SÜZGEÇİ SABİTLEME PLEYTİ	2	2	
4	487612107600	LINK_PIECE_SMALL_END(49SG3067)	3602C007	KARTER ORTA YATAK ŞİMİ	1	1	
5	487612107700	LINK_PIECE(49SG3068)	3602C008	KARTER ORTA YATAK ŞİMİ	1	1	
6	487612107800	NUT(57SG3013)	3602C009	SOMUN	4	4	
7	487612107900	PLUG_LUB_OIL_PAN_DRAIN(65S30050)	3602C010	KARTER TAPASI	1	1	
8	487612108000	O_RING(73S30025)	3602C011	O-RING	1	1	
9	487612108100	SETSCREW(74SG3081)	3602C012	AYAR CİVATASI	1	1	
10	487612108200	BOLT(74SG4065)	3602C013	KARTER ALT CİVATA	10	10	
11	487612108300	BOLT(74SG4067)	3602C014	KARTER ALT CİVATA	2	2	
12	487612108400	LUBE_OIL_SUMP(83SG4053)	3602C015	KARTER	1	1	
13	487612108500	JOINT_LUB_OIL_PAN(S4004976)	3602C016	KARTER ÜST CONTA	1	1	
14	487612108600	NUT(S4005711)	3602C017	SOMUN	2	2	
15	487612108700	PIPE_LUB_OIL_DELIVERY(S4006203)	3602C018	YAĞ SÜZGEÇİ DAĞITIM BORUSU	1	1	
16	487612108800	BOLT(S4007403)	3602C019	YAĞ SÜZGEÇİ CİVATASI	2	2	
17	487612108900	STUD(S4008216)	3602C020	KARTER SAPLAMASI	3	3	
18	487612109000	STUD(S4008244)	3602C021	KARTER SAPLAMASI	1	1	
19	487612109100	ASSEMBLY_PIPE_LUB_OIL_SUCTION(S4099137)	3602C022	YAĞ SÜZGEÇİ	1	1	



YAĞ FİLTRESİ VE İLGİLİ PARÇALAR

GRUP:- P-

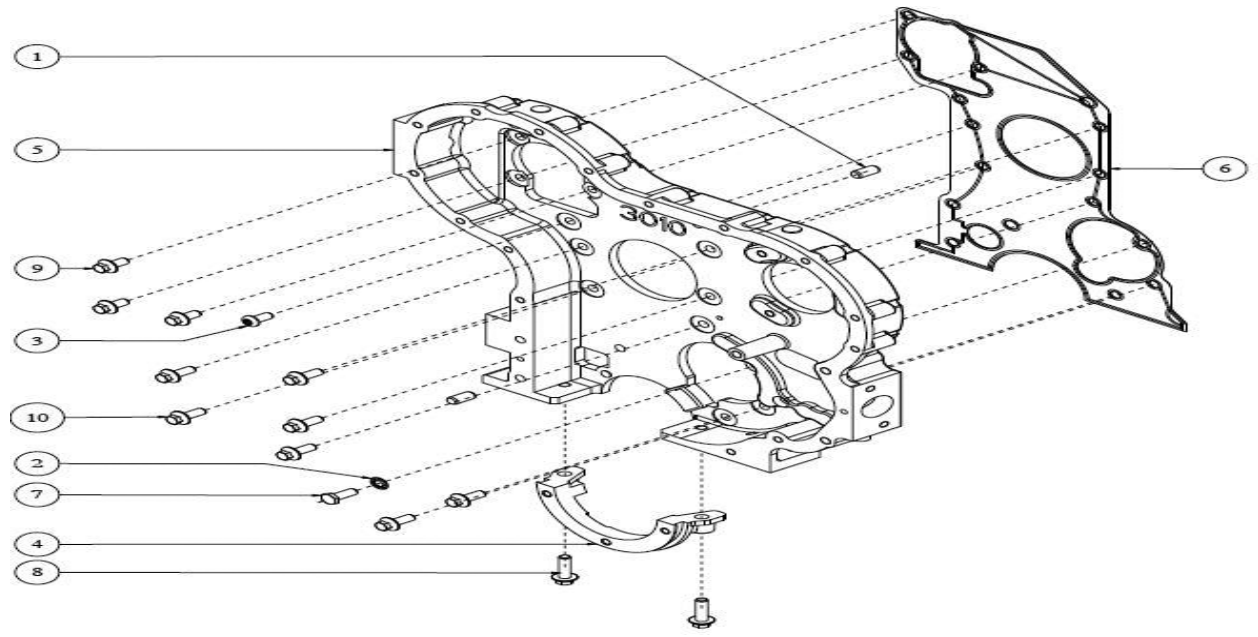
S. No.	PART NO.	PART NAME	PARÇA KODU	PARÇA ADI	ADET		AÇIKLAMA
					6000	7500	
					4WD	4WD	
1	487612124300	LUBE_OIL_COOLER_FILTER_HE AD. PRT(08SG4056)	3602C023	YAĞ FİLTRESİ BRAKETİ	1	1	
2	487612124400	CONSTANT_TENSION_CLAMP(17SG3010)	3602C024	KELEPÇE	8	8	
3	487612124500	CONNECTION_LUB_OIL_FILTE R_HEAD(20SG3049)	3602C025	YAĞ SOĞUTUCU REKOR	1	1	
4	487612124600	JOINT_LUB_OIL_FILTER(49S30 201)	3602C026	YAĞ FİLTRESİ BRAKETİ CONTASI	1	1	
5	487612124700	BOLT(74SG3045)	3602C027	CİVATA	2	2	
6	487612124800	OIL_COOLER_ASSEMBLY(DE00 6173)	3602C028	YAĞ SOĞUTUCU	1	1	
7	487612124900	LUBE_OIL_FILTER(DE006785)	3602C029	YAĞ FİLTRESİ	1	1	
8	487612125000	PIPE_ASSY_BLOCK_TO_OIL_C OOL- ER(SG990014)	3602C030	SU ÇIKIŞ BORUSU	1	1	
9	487612125100	PIPE_ASSY_OIL_COOLER_TO_ WATER_PUMP(SG990015)	3602C031	SU GİRİŞ BORUSU	1	1	



YAĞ KAPAĞI VE İLGİLİ PARÇALAR

GRUP:- P-

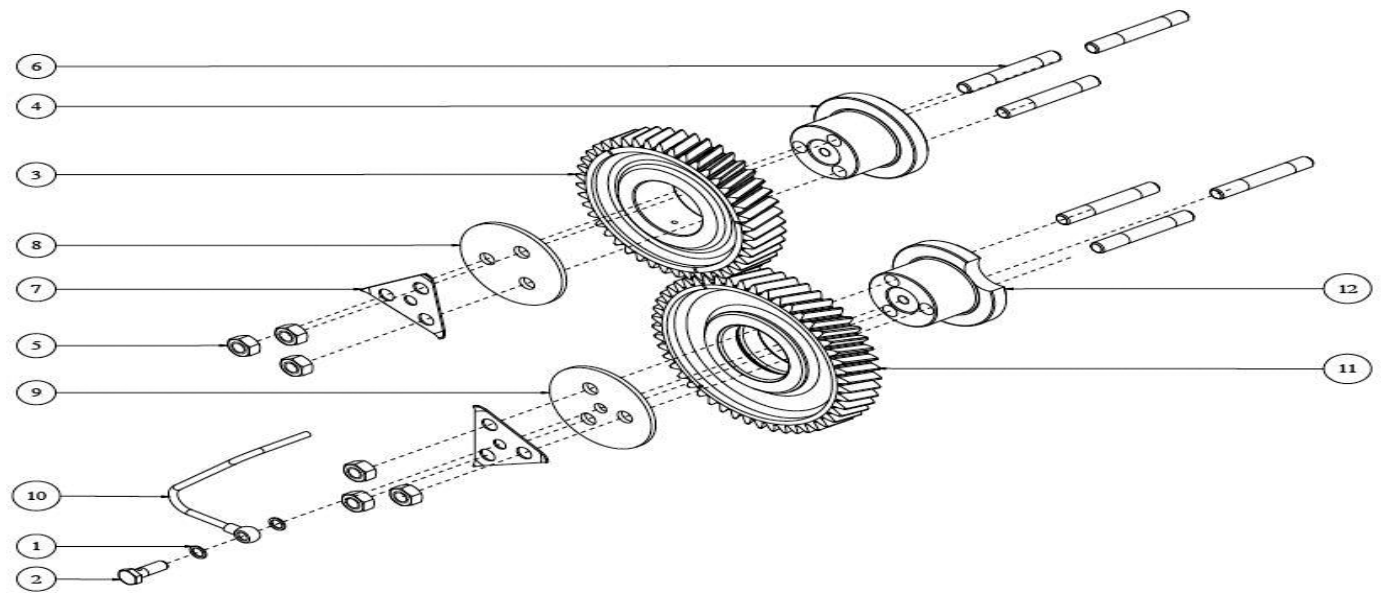
S. No.	PART NO.	PART NAME	PARÇA KODU	PARÇA ADI	ADET		AÇIKLAMA
					6000	7500	
					4WD	4WD	
1	487612119900	JOINT_LUB_OIL_FILLER(49S30	3602C032	YAĞ GİRİŞİ BORUSU CONTASI	1	1	
2	487612107800	NUT(57SG3013)	3602C009	SOMUN	2	2	
3	487612120100	STUD(82S30063)	3602C034	SAPLAMA	2	2	
4	487612120200	LUB_OIL_FILLER_ASSEMBLY(9	3602C035	YAĞ GİRİŞİ BORUSU KAPAKLI	1	1	



AVARE DİŞLİLERİ KAPAĞI VE İLGİLİ PARÇALAR

GRUP:- P-

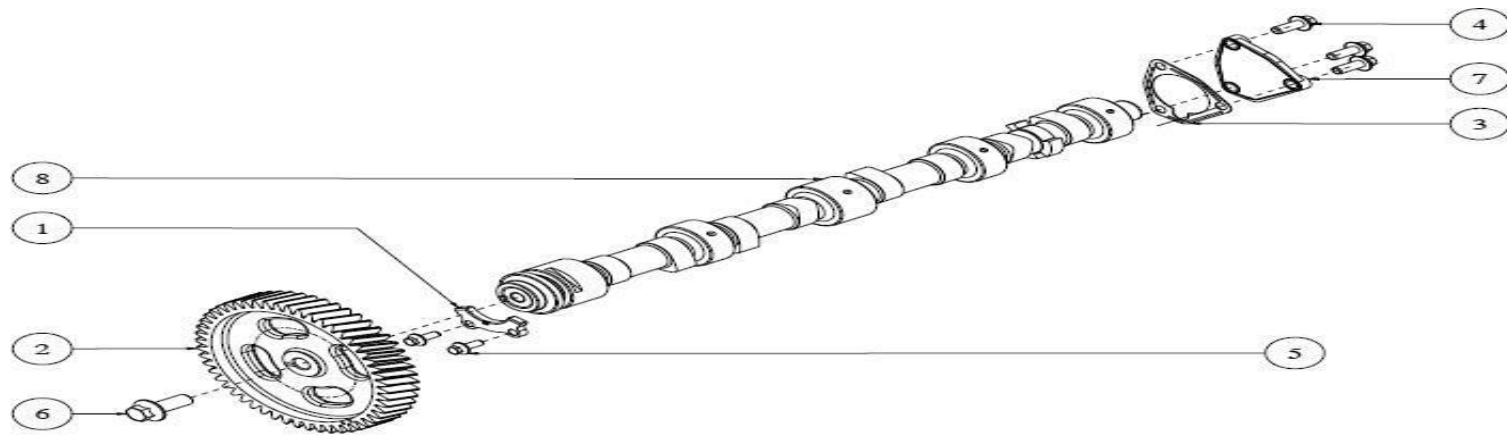
S. No.	PART NO.	PART NAME	PARÇA KODU	PARÇA ADI	ADET		AÇIKLAMA
					6000	7500	
					4WD	4WD	
1	487612100200	DOWEL(350016)	3602A001	MERKEZLEME BURCU	2	2	
2	487612104000	WASHER(920299)	3602D002	PUL	1	1	
3	487612104100	SETSCREW(2316T050)	3602D003	MOTOR KAPAK CİVATASI	1	1	
4	487612104200	BRIDGE_PIECE(24S30111)	3602D004	MOTOR KAPAK ALT BAĞLANTI KEPİ	1	1	
5	487612104300	TIMING_CASE_FOR_KION_WITH_AIR_COMPRESSOR_MOUNTING(44SG4085)	3602D005	AVARE DİŞLİLERİ KAPAĞI	1	1	
6	487612104400	JOINT_TIMING_CASE(49SG3073)	3602D006	AVARE DİŞLİLERİ KAPAĞI	1	1	
7	487612104500	SETSCREW(74S30121)	3602D007	MOTOR KAPAK CİVATASI	1	1	
8	487612104600	SETSCREW(74SG3071)	3602D008	MOTOR KAPAK CİVATASI	2	2	
9	487612104700	SETSCREW(74SG3073)	3602D009	MOTOR KAPAK CİVATASI	3	3	
10	487612106700	SETSCREW(74SG3074)	3602H012	AYAR CİVATASI	7	7	



AVARE DİŞLİSİ VE İLGİLİ PARÇALAR

GRUP:- P-

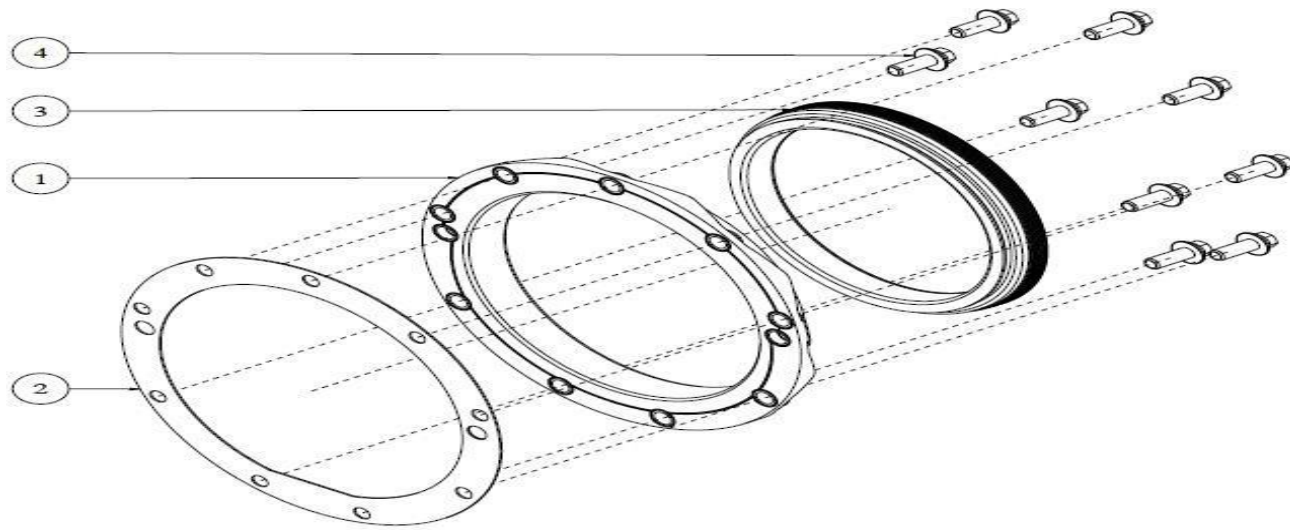
S. No.	PART NO.	PART NAME	PARÇA KODU	PARÇA ADI	ADET		AÇIKLAMA
					6000	7500	
					4WD	4WD	
1	487612104900	WASHER(92DE0003)	3602D011	YAĞ BORUSU PULU	1	1	
2	487612105000	BOLT_BANJO(S4000901)	3602D012	BANJO CIVATA	2	2	
3	487612105100	GEAR_IDLER(S4004126)	3602D013	AVARE DİŞLİSİ	4	4	
4	487612105200	HUB_IDLER_GEAR(S4004501)	3602D014	AVARE DİŞLİSİ YATAĞI	1	1	
5	487612105300	NUT(S4005703)	3602D015	SOMUN	1	1	
6	487612105400	STUD(S4008206)	3602D016	AVARE DİŞLİ PULU SOMUNU	4	4	
7	487612105500	WASHER_TAB(S4009201)	3602D017	AVARE DİŞLİ PULU	2	2	
8	487612105600	PLATE_IDLER_GEAR(S4009401)	3602D018	AVARE DİŞLİ PULU ÜÇGEN	2	2	
9	487612105700	PLATE_IDLER_GEAR(S4009404)	3602D019	AVARE DİŞLİ PULU	1	1	
10	487612105800	PIPE(S4009906)	3602D020	YAĞ BORUSU	1	1	
11	487612105900	GEAR_IDLER(S4009937)	3602D021	AVARE DİŞLİSİ	1	1	
12	487612106000	HUB_IDLER_GEAR(SK004015)	3602D022	AVARE DİŞLİSİ YATAĞI	1	1	



EKSANTRİK MİLİ VE İLGİLİ PARÇALAR

GRUP:- P-

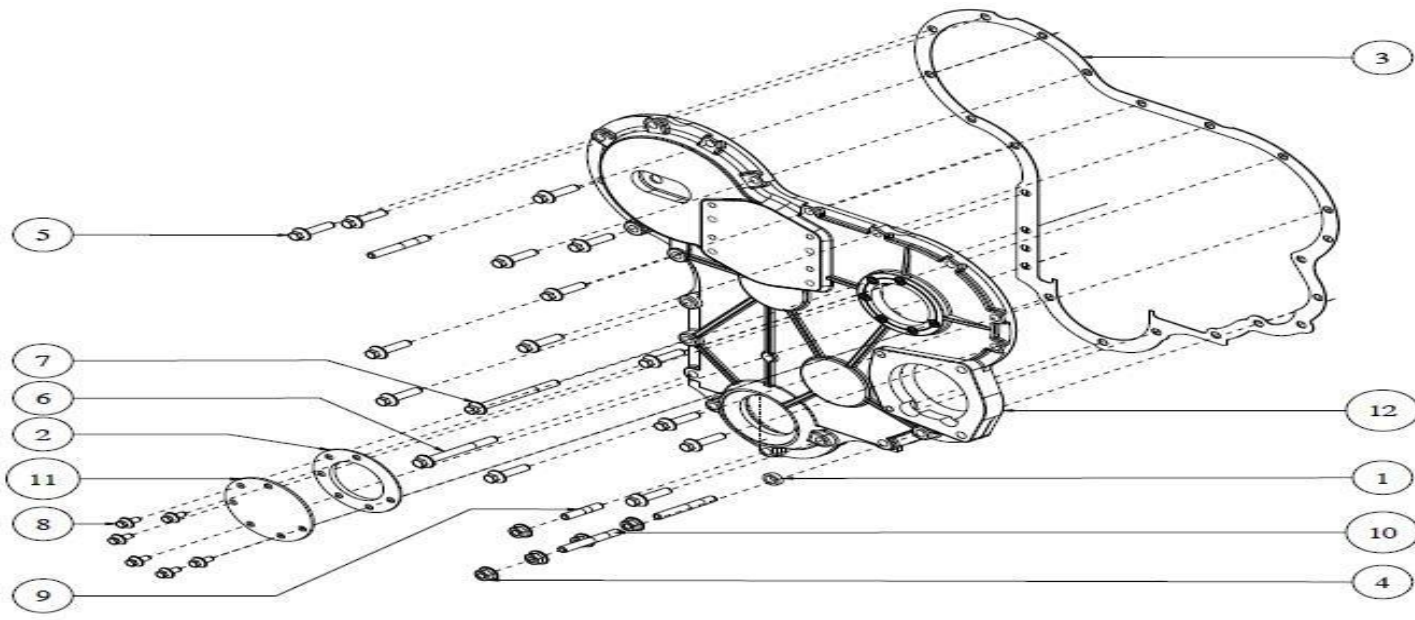
S. No.	PART NO.	PART NAME	PARÇA KODU	PARÇA ADI	ADET		AÇIKLAMA
					6000	7500	
					4WD	4WD	
1	487612110000	WASHER_THRUST(31SG3001)	3602D023	EKSANTRİK MİLİ PULU	1	1	
2	487612110100	GEAR_CAMSHAFT(41SG3001)	3602D024	EKSANTRİK MİLİ DİŞLİSİ	1	1	
3	487612110200	JOINT_TACHO_DRIVE(49S30199)	3602D025	EKSANTRİK MİLİ ARKA CONTA	1	1	
4	487612106700	SETSCREW(74SG3074)	3602H012	AYAR CİVATASI	3	3	
5	487612110400	SETSCREW(74SG3082)	3602D027	EKSANTRİK MİLİ CİVATASI	2	2	
6	487612110500	SETSCREW(74SG3087)	3602D028	EKSANTRİK MİLİ CİVATASI	1	1	
7	487612110600	PLATE_TACHO_DRIVE_BLANKING(94S30406)	3602D029	EKSANTRİK MİLİ ARKA PLEYT	1	1	
8	487612110700	CAMSHAFT_ASSEMBLY(SG990041)	3602D030	EKSANTRİK MİLİ	1	1	



MOTOR ARKA KAPAK VE İLGİLİ PARÇALAR

GRUP:- P-

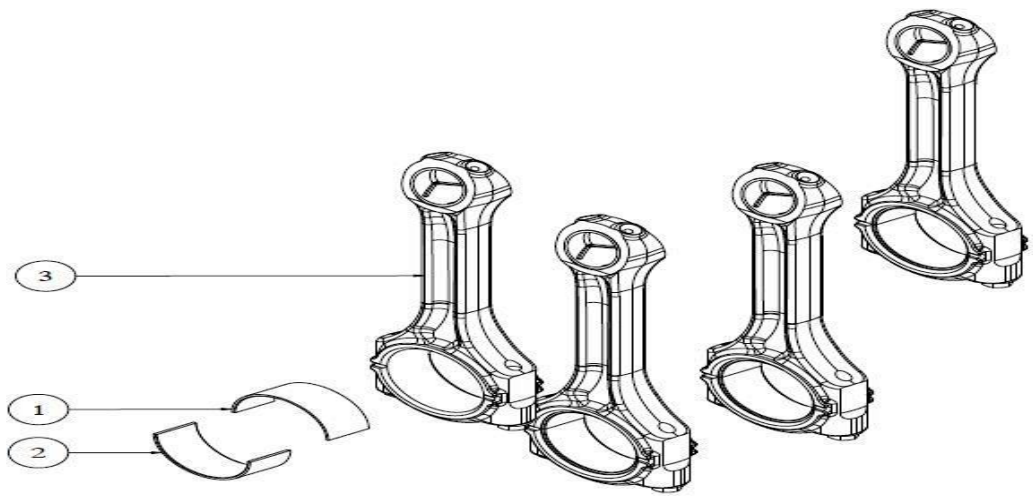
S. No.	PART NO.	PART NAME	PARÇA KODU	PARÇA ADI	ADET		AÇIKLAMA
					6000	7500	
					4WD	4WD	
1	487612106100	HOUSING_REAR_END_OIL_SEAL_ASSEM-BLY(37424611)	3602D031	MOTOR ARKA KAPAK	1	1	
2	487612106200	JOINT_REAR_END_OIL_SEAL(49S30190)	3602D032	MOTOR ARKA KAPAK CONTASI	1	1	
3	487612106300	SEAL_REAR_END_HOUSING(73DE0036)	3602D033	MOTOR ARKA KAPAK KEÇESİ	1	1	
4	487612106700	SETSCREW(74SG3074)	3602H012	AYAR CİVATASI	9	9	



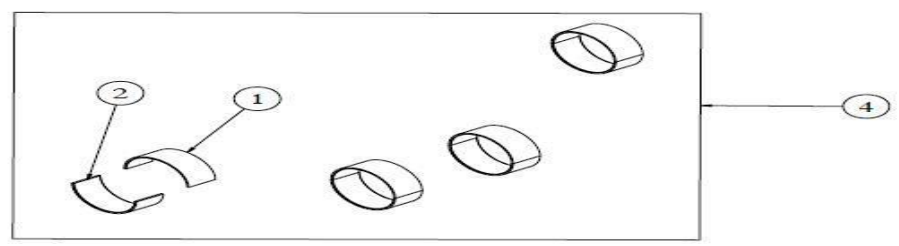
MOTOR KAPAĞI VE İLGİLİ PARÇALAR

GRUP:- P-

S. No.	PART NO.	PART NAME	PARÇA KODU	PARÇA ADI	ADET		AÇIKLAMA
					6000	7500	
					4WD	4WD	
1	487612116800	SPACER(920492)	3602D035	BURÇ	1	1	
2	487612116900	JOINT_LUB_OIL_FILLER(49SG3044)	3602D036	MOTOR KAPAĞI ALT KAPAK CONTASI	1	1	
3	487612117000	JOINT_TIMING_CASE_COVER(49SG3072)	3602D037	AVARE DİŞLİLERİ KAPAĞI CONTASI	1	1	
4	487612107800	NUT(57SG3013)	3602C009	SOMUN	5	5	
5	487612117200	SETSCREW(74SG3071)	3602D039	AYAR CİVATASI	14	14	
6	487612117300	BOLT(74SG3075)	3602D040	CİVATA	1	1	
7	487612117400	BOLT(74SG3077)	3602D041	CİVATA	1	1	
8	487612108100	SETSCREW(74SG3081)	3602C012	AYAR CİVATASI	6	6	
9	487612117600	STUD(82S30063)	3602D043	SAPLAMA	1	1	
10	487612117700	STUD(82S30108)	3602D044	SAPLAMA	3	3	
11	487612117800	PLATE_LUB_OIL_FILLER_BLANKING(94DE0385)	3602D045	YAĞ KORUMA KAPAĞI	1	1	
12	487612117900	COVER_TIMING_CASE_ASSEMBLY(99SG4667)	3602D046	AVARE DİŞLİLERİ KAPAĞI	1	1	



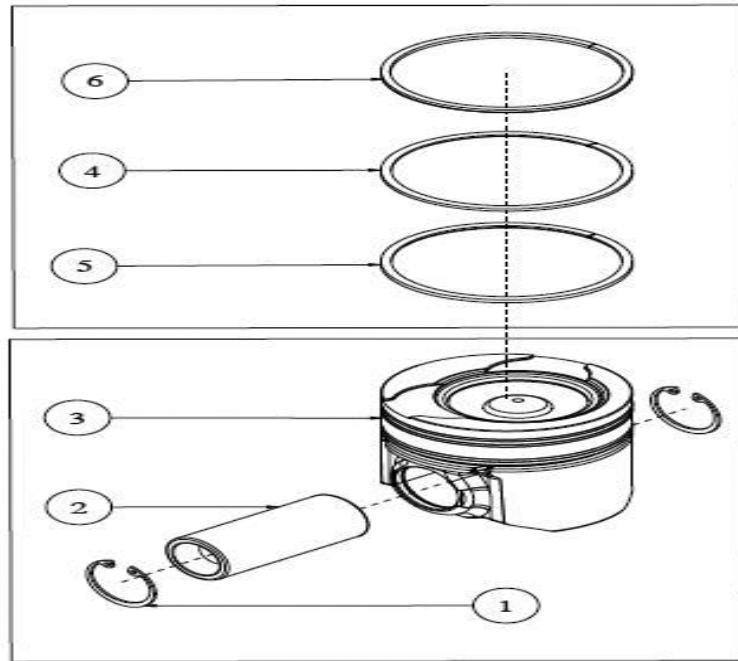
EXPLODED VIEW



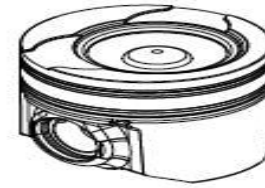
PİSTON KOLU VE İLGİLİ PARÇALAR

GRUP:- P-

S. No.	PART NO.	PART NAME	PARÇA KODU	PARÇA ADI	ADET		AÇIKLAMA
					6000	7500	
					4WD	4WD	
1	487612106900	CONNECTING_ROD_BEARING_UP- PER(04SG3004)	3602E001	KOL YATAK ÜST	4	4	
2	487612107000	CONNECTING_ROD_BEARING_LOW- ER(04SG3005)	3602E002	KOL YATAK ALT	4	4	
3	487612107100	CON ROD ASSEMBLY(99SG3239)	3602E003	PİSTON KOLU	4	4	
4	487612107200	CONNECTING ROD BEARING KIT(SG990265)	3602E004	KOL YATAK SET	1	1	



7



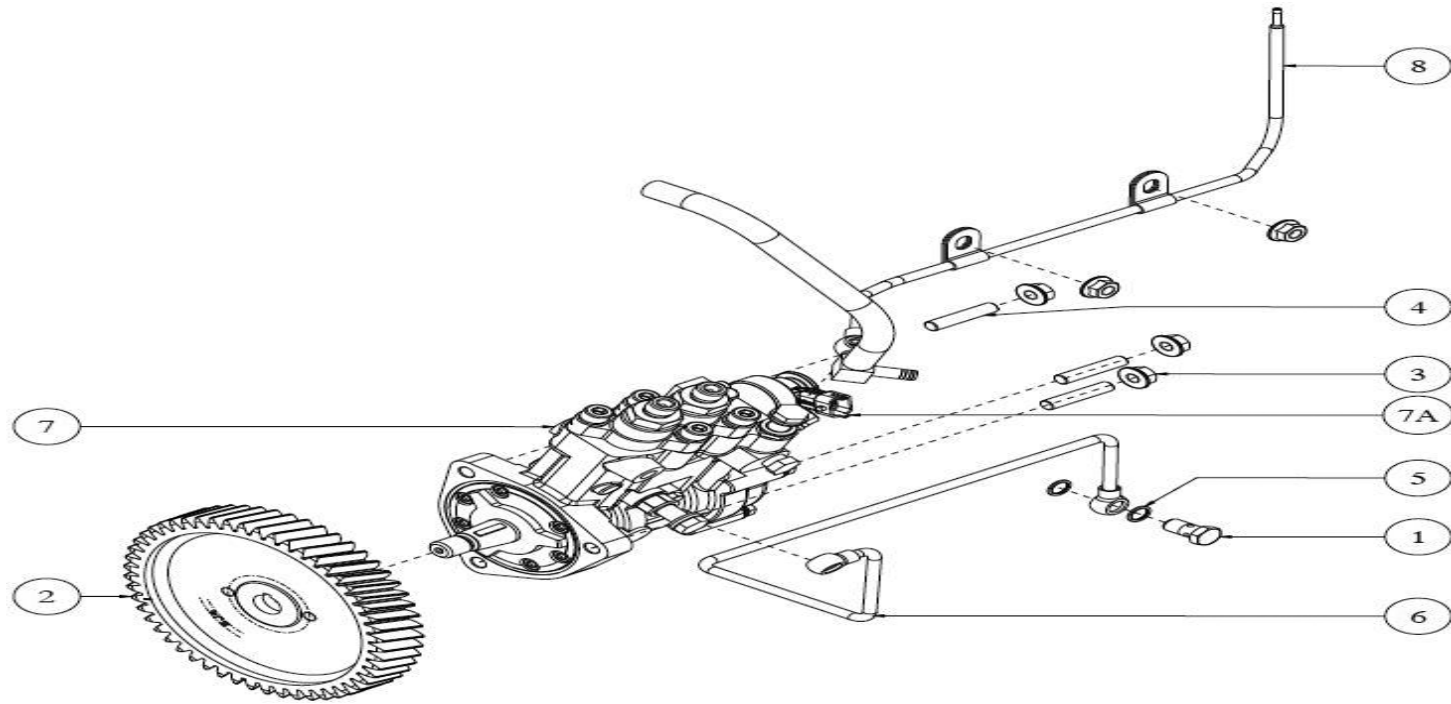
8



PİSTON VE İLGİLİ PARÇALAR

GRUP:- P-

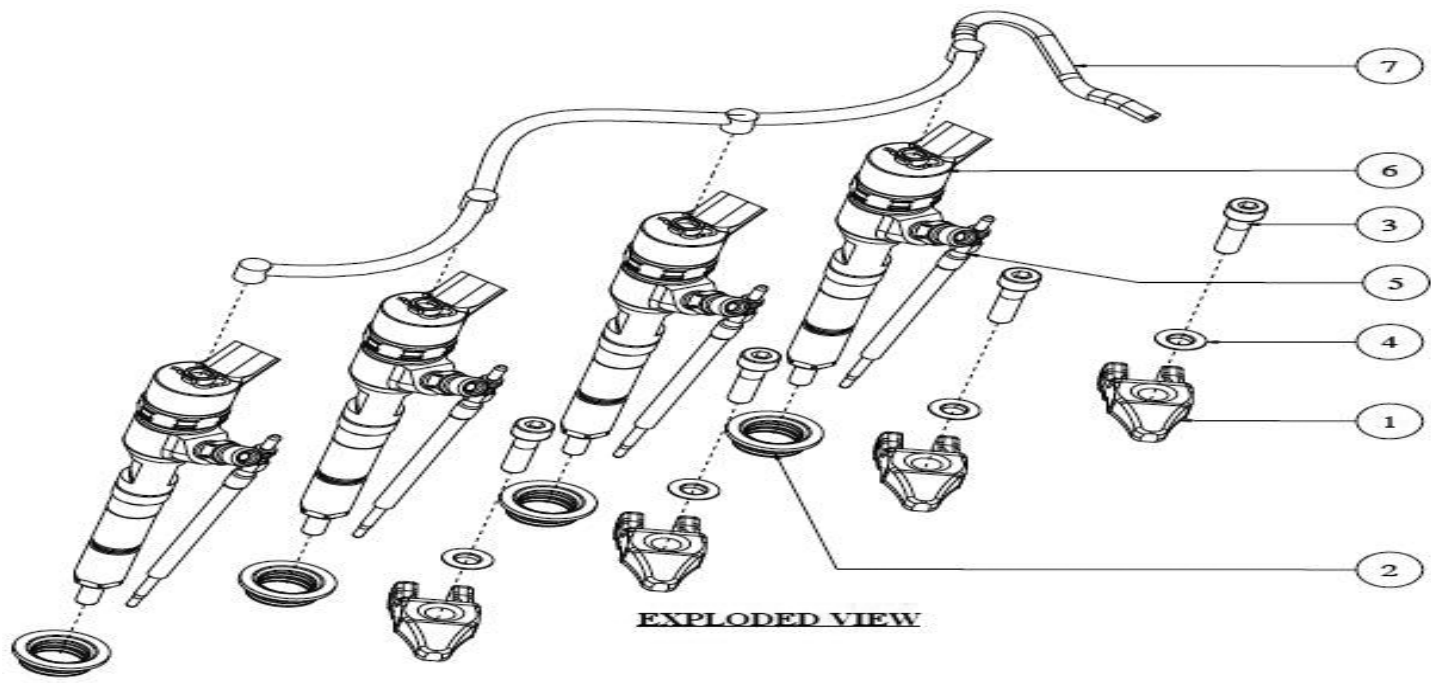
S. No.	PART NO.	PART NAME	PARÇA KODU	PARÇA ADI	ADET		AÇIKLAMA
					6000	7500	
					4WD	4WD	
1	487612109200	CIRCLIP_GUDGEON_PIN(17SG3008)	3602E009	PİSTON PİMİ SEGMANI	8	8	
2	487612109300	GUDGEON_PIN(61SG3002)	3602E010	PİSTON PİMİ	4	4	
3	487612109400	PISTON_HIGH_GRADE(63SG4032)	3602E011	PİSTON	4	4	
4	487612109500	RING_PISTON_COMPRESSION(64SG3015)	3602E012	PİSTON SEGMANI	4	4	
5	487612109600	RING_PISTON_CONFORMABLE_OIL(64SG3016)	3602E013	PİSTON SEGMANI	4	4	
6	487612109700	TOP_COMPRESSION_RING(64SG4017)	3602E014	PİSTON SEGMANI	4	4	
7	487612109800	PISTON RINGS KIT(SG990270)	3602E015	SEGMAN SET	4	4	
8	487612109900	PISTON ASSEMBLY KIT(SG990271)	3602E016	PİSTON KOMPLE	4	4	



YAKIT POMPASI VE İLGİLİ PARÇALAR

GRUP:- P-

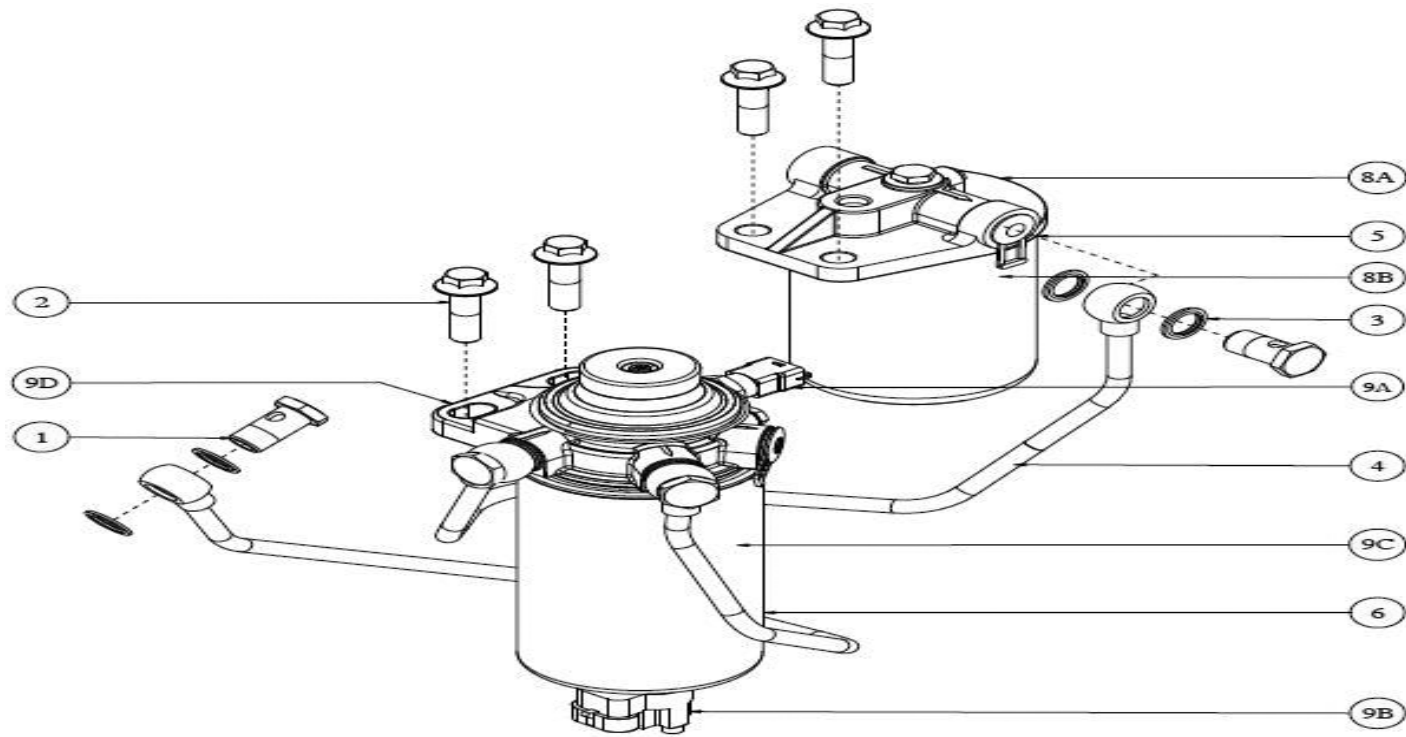
S. No.	PART NO.	PART NAME	PARÇA KODU	PARÇA ADI	ADET		AÇIKLAMA
					6000	7500	
					4WD	4WD	
1	487612126200	BOLT_BANJO(09DE0006)	3602I002	TURBO YAĞ GERİ DÖNÜŞ HORTUMU REKORU	1	1	
2	487612110900	GEAR_FUEL_INJECTION_PUM P(41SG4034)	3602F002	YAKIT POMPA DIŞLİSİ	1	1	
3	487612107800	NUT(57SG3013)	3602C009	SOMUN	5	5	
4	487612111100	SPECIAL_STUD_EXHAUST_TO_ TUR- BO(82SG3017)	3602F004	ÖZEL SAPLAMA (TURBO-EGZOZ)	3	3	
5	487612101200	WASHER(92DE0009)	3602A011	PUL	2	2	
6	487612111300	PIPE_ASSY_BLOCK_TO_FIP_OI L_FEED(99SG4844)	3602F006	YAKIT POMPASI YAĞ BORUSU	1	1	
7	487612111400	CB_18_PUMP(DE006115)	3602F007	YAKIT POMPASI	1	1	
8	487612111500	COMMON_FUEL_RETURN_LIN E_ASSEMBLY- (SG990038)	3602F008	YAKIT GERİ DÖNÜŞ BORUSU	1	1	
9	487612111600	MPROP SENSOR(DE006481)	3602F009	MPROP YAKIT KONTROL VALFİ	1	1	



ENJEKTÖR VE İLGİLİ PARÇALAR

GRUP:- P-

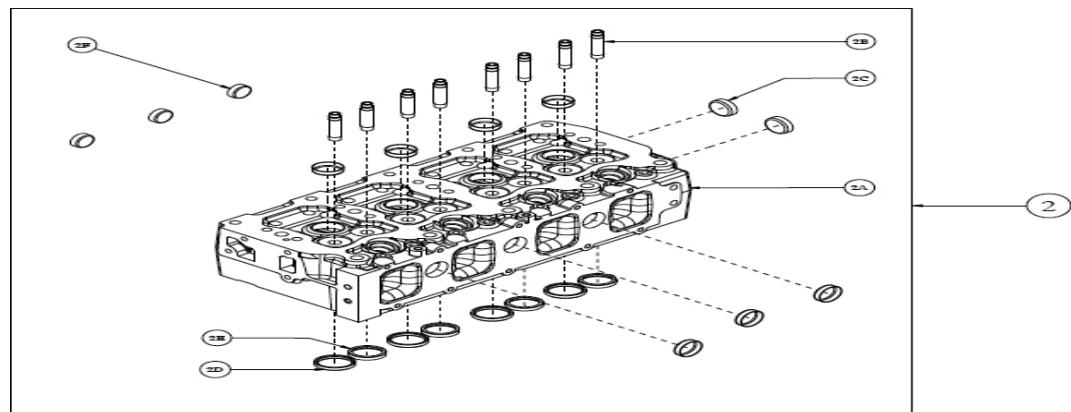
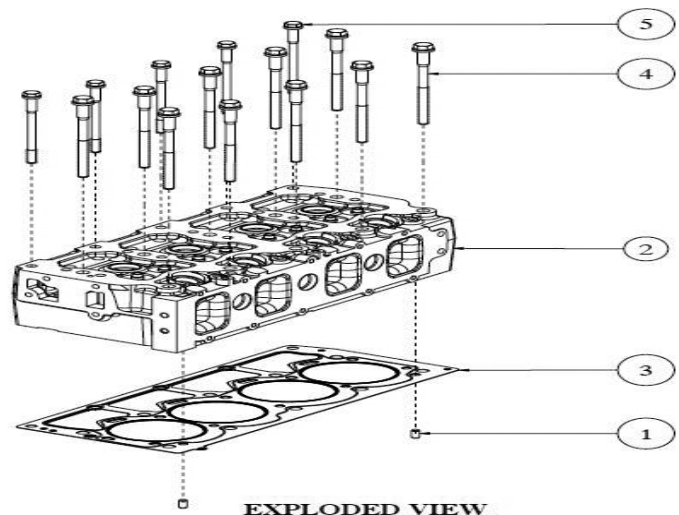
S. No.	PART NO.	PART NAME	PARÇA KODU	PARÇA ADI	ADET		AÇIKLAMA
					6000	7500	
					4WD	4WD	
1	487612122200		3602F010	ENJEKTÖR KÜTÜĞÜ	4	4	
2	487612122300	HIGH_PRESSURE_PIPE_ASSEMBLY_RAIL_TO_INJECTOR_1(99SG4819)	3602F011	ENJEKTÖR YUVASI	4	4	
3	487612122400	HIGH_PRESSURE_PIPE_ASSEMBLY_RAIL_TO_INJECTOR_2(99SG4820)	3602F012	ENJEKTÖR KÜTÜĞÜ CİVATASI	4	4	
4	487612122500	HIGH_PRESSURE_PIPE_ASSEMBLY_RAIL_TO_INJECTOR_3(99SG4821)	3602F013	ENJEKTÖR KÜTÜĞÜ CİVATASI PULU	4	4	
5	487612122600	HIGH_PRESSURE_PIPE_ASSEMBLY_RAIL_TO_INJECTOR_4(99SG4822)	3602F014	ENJEKTÖR	4	4	
6	487612122700	HIGH_PRESSURE_PIPE_ASSEMBLY_PUMP_TO_RAIL_1.asm(99SG4842)	3602F014	ENJEKTÖR	1	1	
7	487612122800	HIGH_PRESSURE_PIPE_ASSEMBLY_PUMP_TO_RAIL_2.asm(99SG4843)	3602F015	ENJEKTÖR BORUSU	1	1	



YAKIT FİLTRESİ VE İLGİLİ PARÇALAR

GRUP:- P-

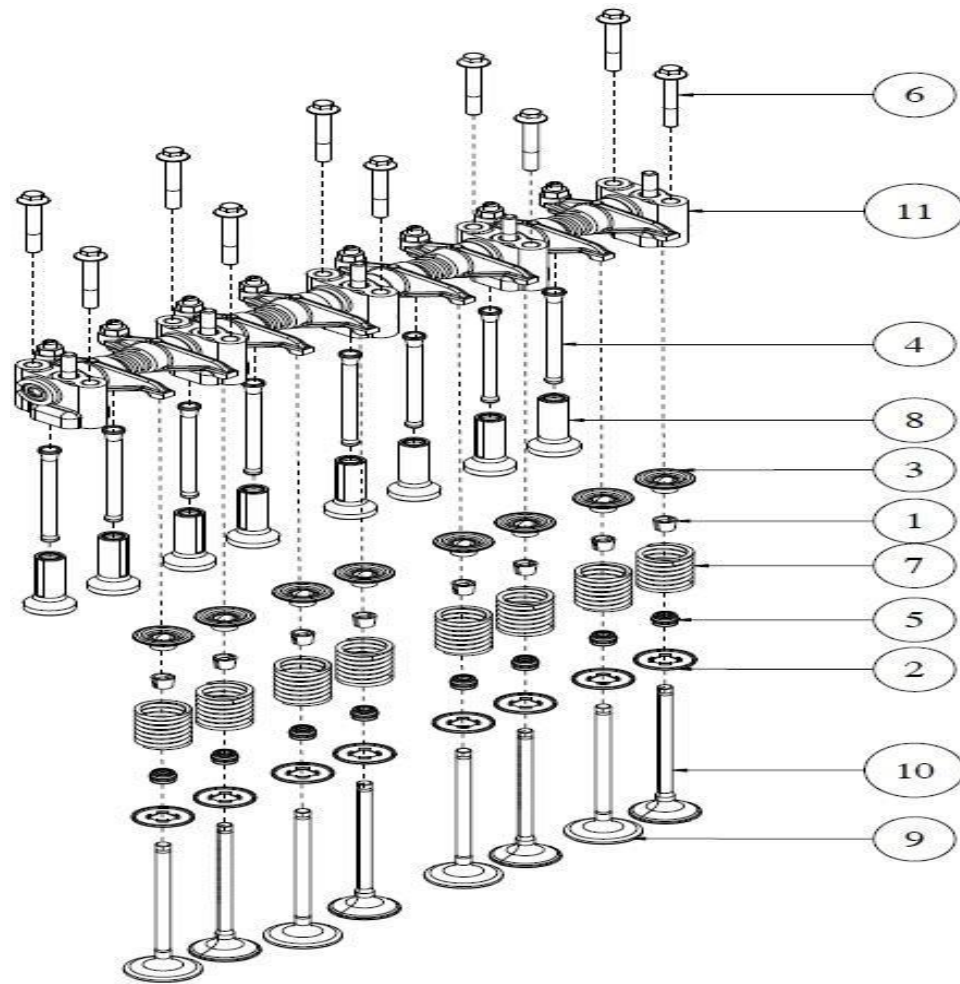
S. No.	PART NO.	PART NAME	PARÇA KODU	PARÇA ADI	ADET		AÇIKLAMA
					6000	7500	
					4WD	4WD	
1	487612123100	BOLT_BANJO(09DE0005)	3602F016	YAKIT FİLTRE BORUSU REKORU	4	4	
2	487612123200	SCREW(74SG3050)	3602F017	FİLTRE ADAPTÖRÜ CİVATASI	4	4	
3	487612123300	WASHER(92S30194)	3602F018	YAKIT FİLTRE BORUSU REKORU PULU	8	8	
4	487612123400	HOSE_ASSEMBLY_FUEL_FILTE R(99SG3817)	3602F019	YAKIT FİLTRE BORUSU	2	2	
5	487612123500	PRE_FILTER_FUEL(DE006341)	3602F020	İKİNCİ YAKIT FİLTRESİ	1	1	
6	487612123600	MAIN_FILTER(DE006385)	3602F021	ANA YAKIT FİLTRESİ	1	1	
7	487612123700	PRE FILTER HEAD(DE006378)	3602F022	İKİNCİ YAKIT FİLTRESİ ADAPTÖRÜ	1	1	
8	487612123800	PRE FILTER INSERT(DE006379)	3602F023	İKİNCİ YAKIT FİLTRESİ ELEMANI	1	1	
9	487612123900	MAIN FILTER TEMPERATURE SEN- SOR(DE006448)	3602F024	ANA YAKIT FİLTRESİ SICAKLIK SENSÖRÜ	1	1	
10	487612124000	MAIN FILTER WATER IN FUEL SEN- SOR(DE006447)	3602F025	ANA YAKIT FİLTRESİ SU SENSÖRÜ	1	1	
11	487612124100	MAIN FILTER INSERT(DE006529)	3602F026	ANA YAKIT FİLTRESİ ELEMANI	1	1	
12	487612124200	MAIN FILTER HEAD(DE007349)	3602F027	ANA YAKIT FİLTRESİ ADAPTÖRÜ	1	1	



SİLİNDİR KAPAK VE İLGİLİ PARÇALAR

GRUP:- P-

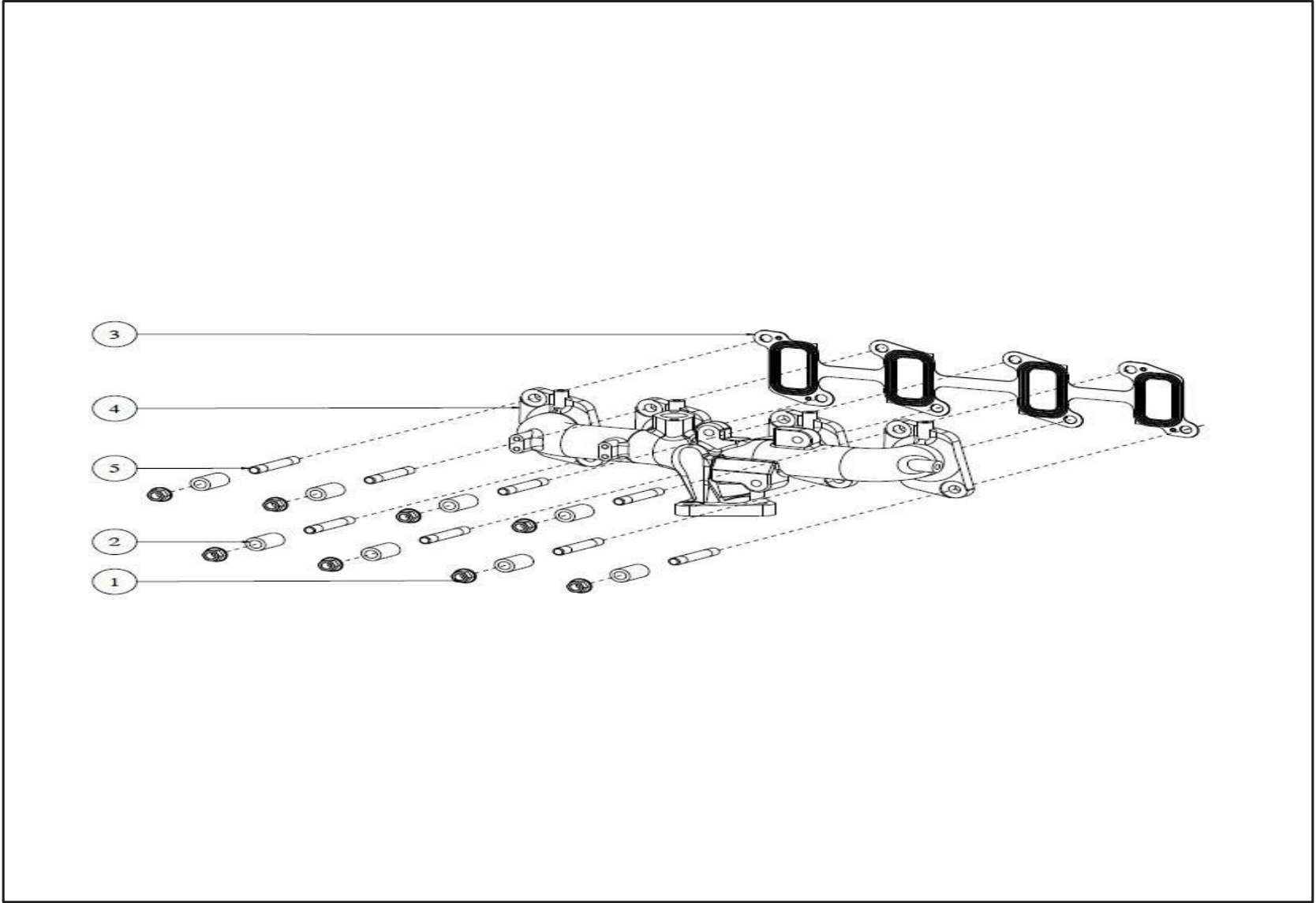
S. No.	PART NO.	PART NAME	PARÇA KODU	PARÇA ADI	ADET		AÇIKLAMA
					6000	7500	
					4WD	4WD	
1	487612111700	DOWEL(2114A046)	3602G001	SİLİNDİR KAPAK BURCU	2	2	
2	487612111800	CYLINDER_HEAD(29SG4021)	3602G002	SİLİNDİR KAPAK	1	1	
2A	487612111900	CYLINDER HEAD WITH GLOW PLUG PROVI- SION(29SG4021)	3602G003	SİLİNDİR KAPAK	1	1	BOŞ
2B	487612112000	VALVE GUIDE(42SG3002)	3602G004	SUBAP GAYDI	8	8	
2C	487612100400	PLUG(650710)	3602A003	TAPA	9	9	
2D	487612112200	INSERT VALVE SEAT AIR INTAKE(47SJ3001)	3602G006	EMME SUBAP YATAĞI	4	4	
2H	487612112300	INSERT VALVE SEAT EXHAUST(47SJ3002)	3602G007	EGZOZ SUBAP YATAĞI	4	4	
2F	487612100400	PLUG(650710)	3602A003	TAPA	3	3	
3	487612112500	CYLINDER HEAD GASKET_MLS.prt(49SG4151)	3602G009	SİLİNDİR KAPAK CONTASI	1	1	
4	487612112600	BOLT(74SG3001)	3602G010	SİLİNDİR KAPAK CIVATASI	10	10	
5	487612112700	BOLT(74SG3002)	3602G011	SİLİNDİR KAPAK CIVATASI ÖZEL	5	5	



SUBAP MEKANİZMASI VE İLGİLİ PARÇALAR

GRUP:- P-

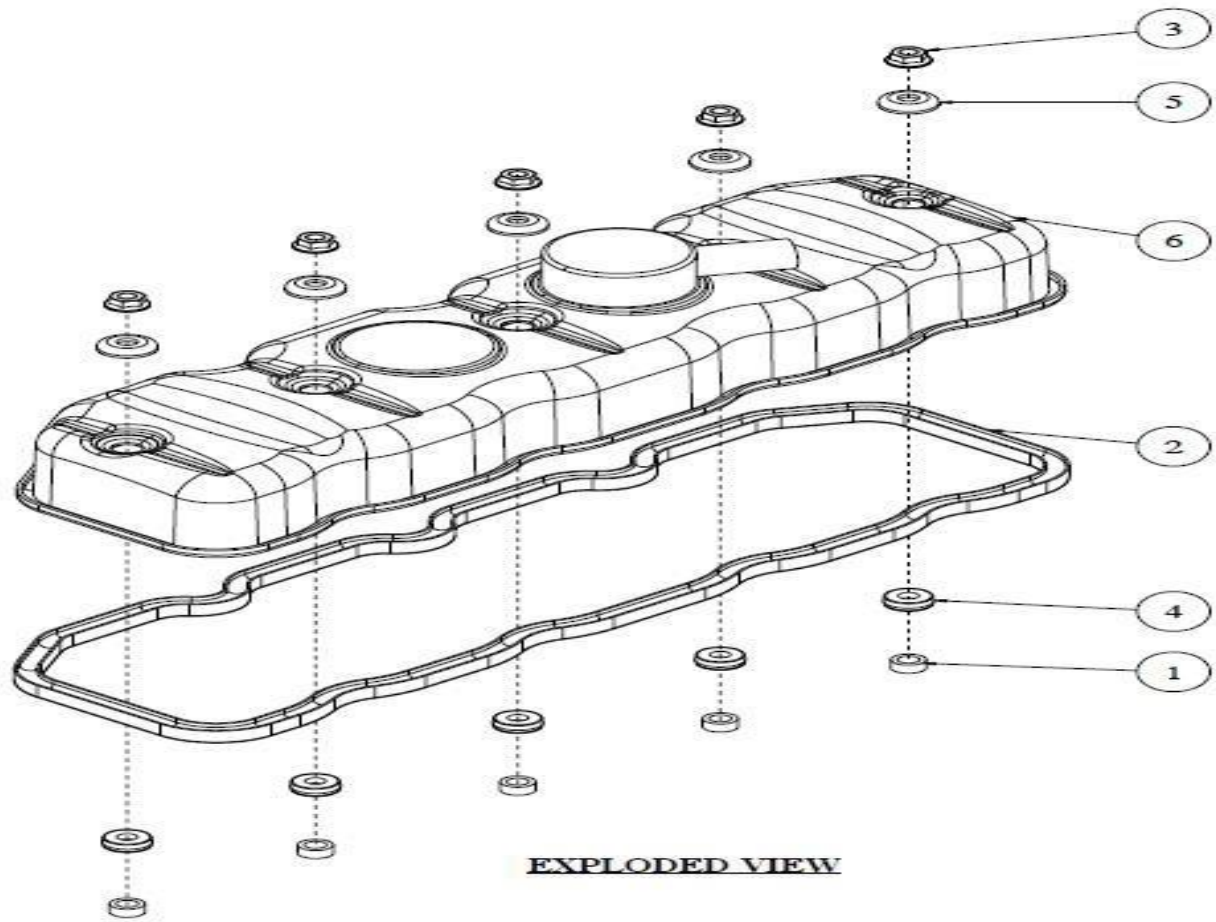
S. No.	PART NO.	PART NAME	PARÇA KODU	PARÇA ADI	ADET		AÇIKLAMA
					6000	7500	
					4WD	4WD	
1	487612113200	COTTER_VALVE_SPRING(230001)	3602G012	SUBAP KOVANI	16	16	
2	487612113300	WASHER(33177518)	3602G013	SUBAP YÜZÜĞÜ	8	8	
3	487612113400	CAP_VALVE_SPRING(33423148)	3602G014	SUBAP YAYI YUTUCU	8	8	BOŞ
4	487612113500	ROD_PUSH(70SG3001)	3602G015	SUBAP İTİCİSİ ÇUBUĞU	8	8	
5	487612113600	SEAL_VALVE_STEM(73SG3001)	3602G016	SUBAP LASTİĞİ	8	8	
6	487612113700	BOLT(74SG4068)	3602G017	SUBAP HOROZU CİVATASI	10	10	
7	487612113800	SPRING_VALVE(78SG3001)	3602G018	SUBAP YAYI	8	8	
8	487612113900	TAPPET(86SG3001)	3602G019	SUBAP İTİCİSİ (TAPPET)	8	8	
9	487612114000	VALVE_AIR_INTAKE(91SG3003)	3602G020	EMME SUBAP	4	4	
10	487612114100	VALVE_EXHAUST(91SG3004)	3602G021	EGZOZ SUBAP	4	4	
11	487612114200	ROCKER_SHAFT_ASSEMBLY(99SG4043)	3602G022	SUBAP HOROZU SET	1	1	



EGZOZ MANİFOLDU VE İLGİLİ PARÇALAR

GRUP:- P-

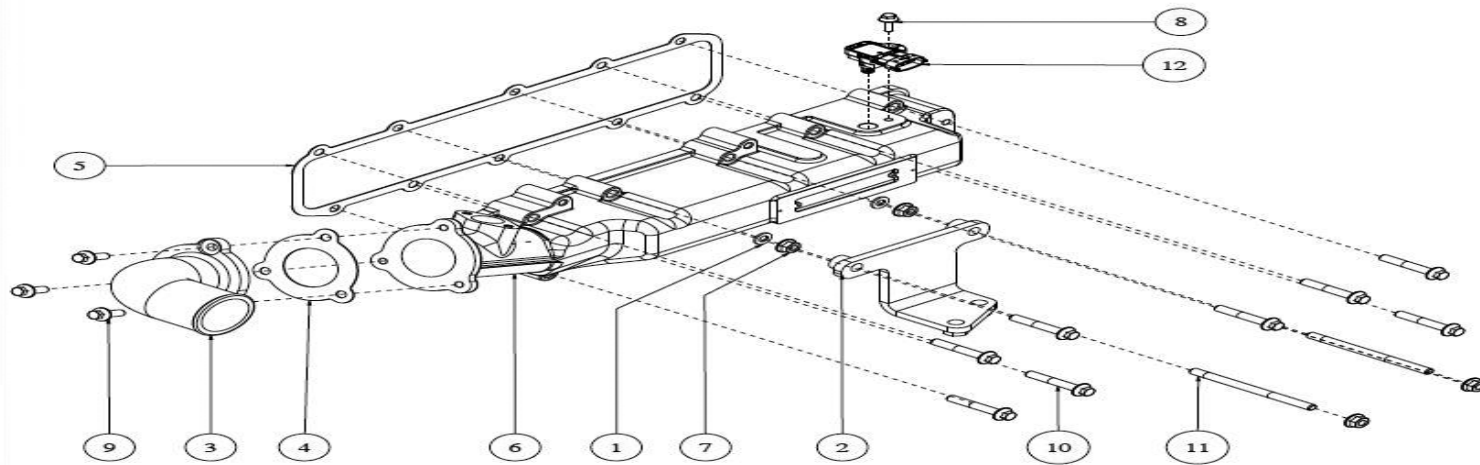
S. No.	PART NO.	PART NAME	PARÇA KODU	PARÇA ADI	ADET		AÇIKLAMA
					6000	7500	
					4WD	4WD	
1	487612114300	NUT(2318A604)	3602G023	SAPLAMA SOMUNU	8	8	
2	487612114400	SPACER_EXHAUST_MANIFOLD (33SG3012)	3602G024	EGZOZ MANİFOLD BURCU	8	8	
3	487612114500	JOINT_EXHAUST_MANIFOLD(4 9SG4129)	3602G025	EGZOZ MANİFOLD CONTASI	1	1	SET
4	487612114600	MANIFOLD_EXHAUST(54SG40 55)	3602G026	SUBAP İTİCİSİ ÇUBUĞU	1	1	
5	487612114700	STUD(82SG3008)	3602G027	EGZOZ MANİFOLD SAPLAMASI	8	8	



VALF KAPAĞI VE İLGİLİ PARÇALAR

GRUP:- P-

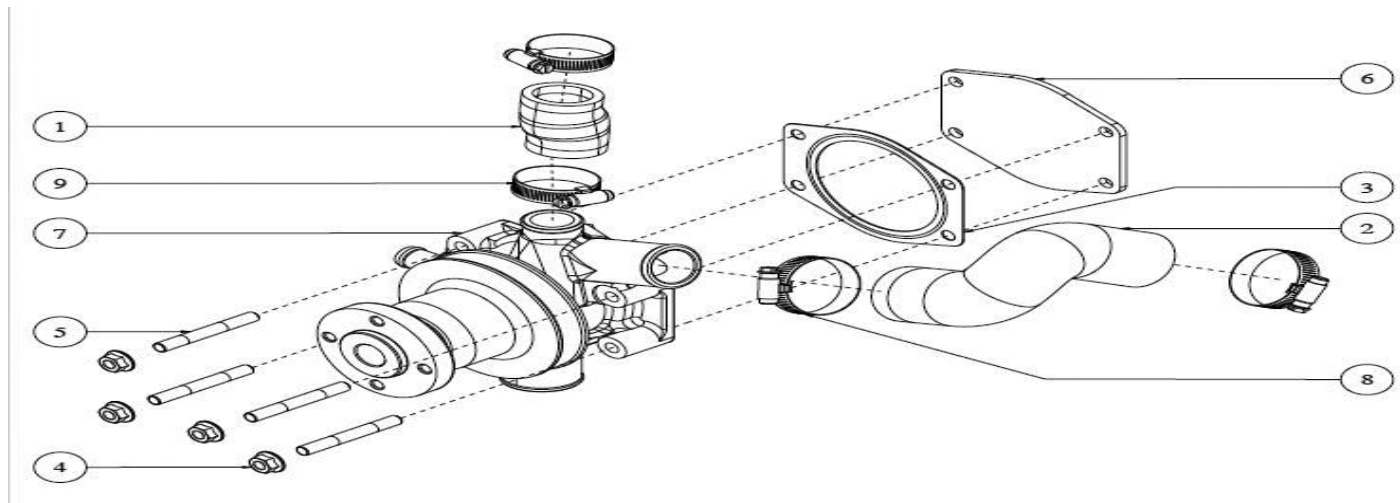
S. No.	PART NO.	PART NAME	PARÇA KODU	PARÇA ADI	ADET		AÇIKLAMA
					6000	7500	
					4WD	4WD	
1	487612116200	SPACER(330940)	3602G028	BURÇ	5	5	
2	487612116300	JOINT_VALVE_COVER(49SG4025)	3602G029	VALF KAPAĞI LASTİĞİ	1	1	
3	487612116400	NUT(57SG4015)	3602G030	SOMUN	5	5	
4	487612116500	SEAL_VALVE_COVER(73SG4010)	3602G031	VALF KAPAĞI O-RING	5	5	
5	487612116600	WASHER(92SG4003)	3602G032	VALF KAPAĞI PULU	5	5	
6	487612116700	CYLINDER_HEAD_COVER_ASS EMBLY- (99SG4849)	3602G033	VALF KAPAĞI	1	1	



EMME MANİFOLDU VE İLGİLİ PARÇALAR

GRUP:- P-

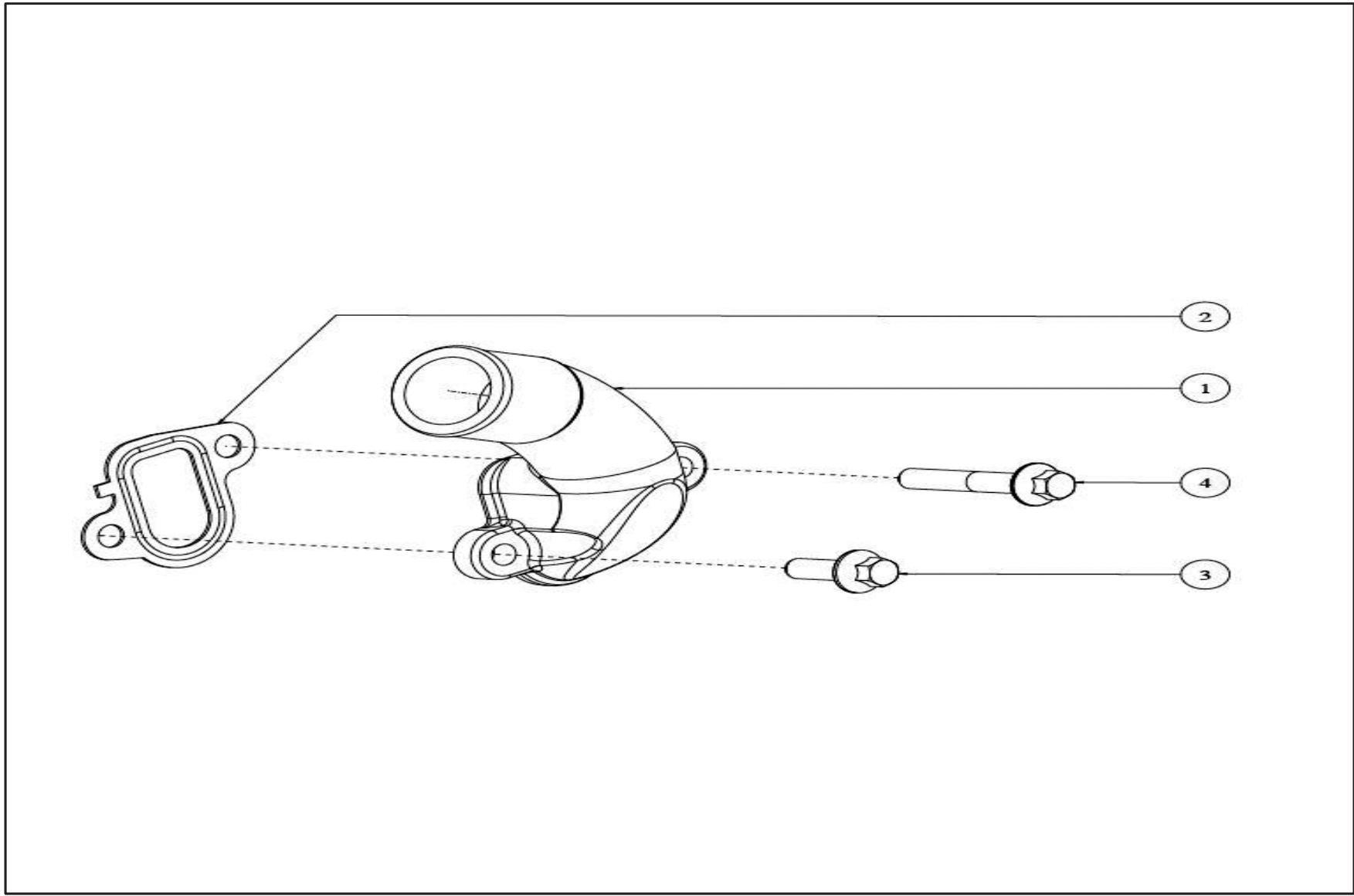
S. No.	PART NO.	PART NAME	PARÇA KODU	PARÇA ADI	ADET		AÇIKLAMA
					6000	7500	
					4WD	4WD	
1	487612120300	WASHER_PLAIN(920003)	3602G034	RONDELA	2	2	
2	487663300100	FUEL FILTER BRKT	3602G035	YAKIT FİLTRESİ BRAKETİ	1	1	
3	487612120500	ELBOW_INTAKE_MANIFOLD(2 OSG4177)	3602G036	EMME MANİFOLD DİRSEĞİ	1	1	
4	487612120600	GASKET_INTAKE_ELBOW(49S G3049)	3602G037	EMME MANİFOLD DİRSEĞİ CONTASI	1	1	
5	487612120700	JOINT_AIR_INTAKE_MANIFOL D(49SG4011)	3602G038	EMME MANİFOLD CONTASI	1	1	SET
6	487612120800	MANIFOLD_AIR_INTAKE(54SG 4061)	3602G039	EMME MANİFOLDU	1	1	
7	487612107800	NUT(57SG3013)	3602C009	SOMUN	4	4	
8	487612101100	SETSCREW(74SG3029)	3602A010	AYAR CİVATASI	1	1	
9	487612125900	SETSCREW(74SG3040)	3602A041	AYAR CİVATASI	3	3	
10	487612121200	BOLT(74SG4069)	3602G043	EMME MANİFOLD CİVATASI	8	8	
11	487612121300	STUD(82SG4021)	3602G044	EMME MANİFOLD SAPLAMASI	2	2	
12	487612121400	BOOST_PRESSURE_SENSOR(D E006125)	3602J023	TURBO BASINÇ SENSÖRÜ	1	1	



DEVİRDAİM VE İLGİLİ PARÇALAR

GRUP:- P-

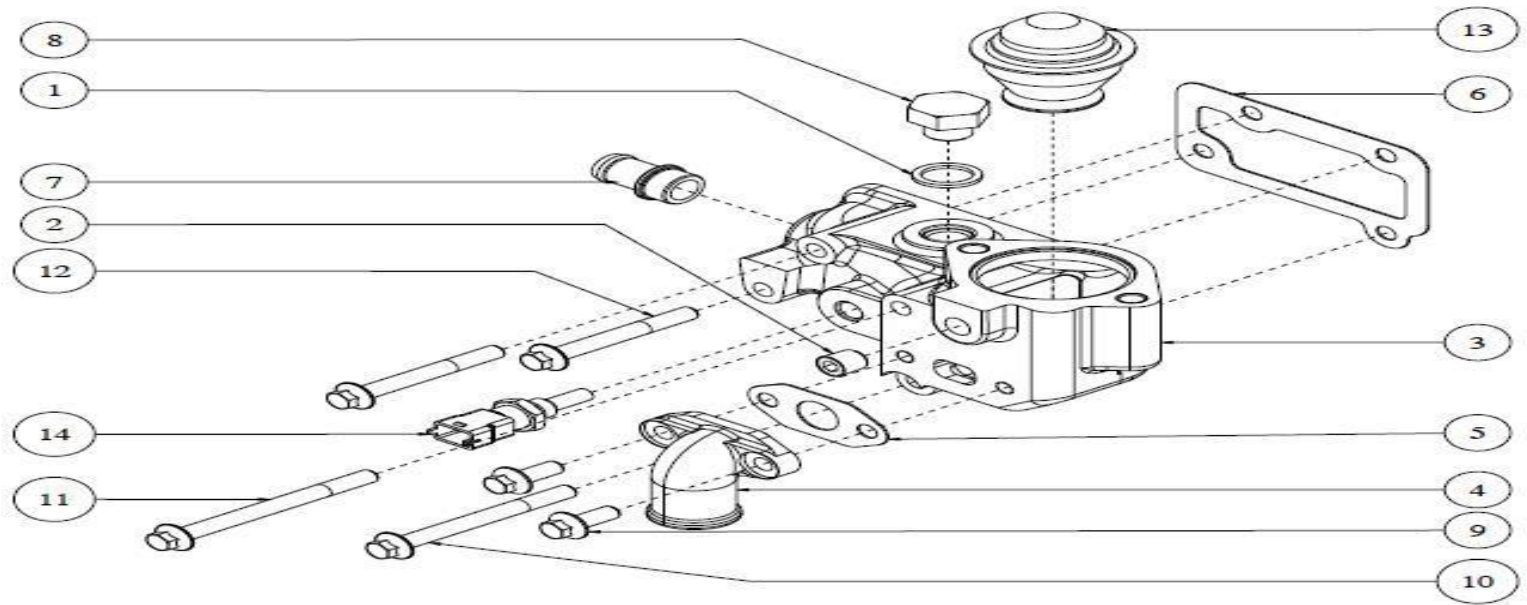
S. No.	PART NO.	PART NAME	PARÇA KODU	PARÇA ADI	ADET		AÇIKLAMA
					6000	7500	
					4WD	4WD	
1	487612118500	HOSE_BYPASS_WATER_CONN EC- TION(20SG3070)	3602H001	DEVİRDAİM ÜST HORTUM	1	1	
2	487612118600	HOSE(20SG4082)	3602H002	DEVİRDAİM YAN HORTUM	1	1	
3	487612118700	JOINT_WATER_PUMP_BACK_ PLATE(49S30196)	3602H003	DEVİRDAİM ARKA KAPAK CONTASI	1	1	
4	487612107800	NUT(57SG3013)	3602C009	SOMUN	4	4	
5	487612118900	STUD(82S20071)	3602H005	DEVİRDAİM BAĞLANTI SAPLAMASI	4	4	
6	487612119000	PLATE_WATER_PUMP_BACK(9 4S20189)	3602H006	DEVİRDAİM ARKA KAPAK	1	1	
7	487612119100	WATERPUMP_ASSEMBLY(99S G4957)	3602H007	DEVİRDAİM	1	1	
8	487612119200	CLIP(S4001800)	3602H008	DEVİRDAİM YAN HORTUM KELEPÇESİ	2	2	
9	487612119300	CLIP(S4001801)	3602H009	DEVİRDAİM ÜST HORTUM KELEPÇESİ	2	2	



SU GİRİŞİ VE İLGİLİ PARÇALAR

GRUP:- P-

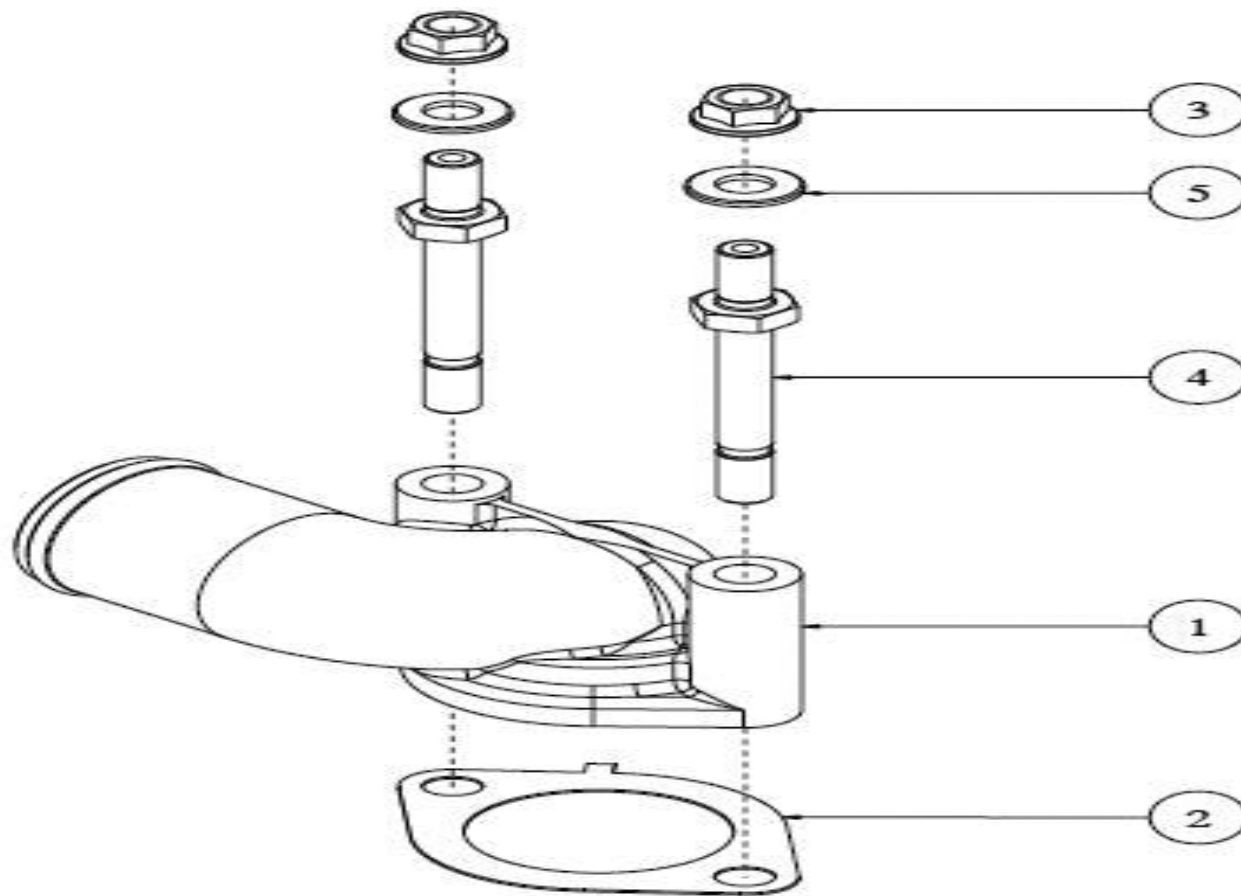
S. No.	PART NO.	PART NAME	PARÇA KODU	PARÇA ADI	ADET		AÇIKLAMA
					6000	7500	
					4WD	4WD	
1	487612106500	CONNECTION_WATER_INLET(20SG3014)	3602H010	SU GİRİŞ BAĞLANTISI	1	1	
2	487612106600	JOINT_WATER_INLET_CONNECTION(49SG3074)	3602H011	SU GİRİŞİ BAĞLANTISI CONTASI	1	1	
3	487612106700	SETSCREW(74SG3074)	3602H012	AYAR CİVATASI	1	1	
4	487612106800	BOLT(74SG3076)	3602H013	BAĞLANTI CİVATASI	1	1	



TERMOSTAT VE İLGİLİ PARÇALAR

GRUP:- P-

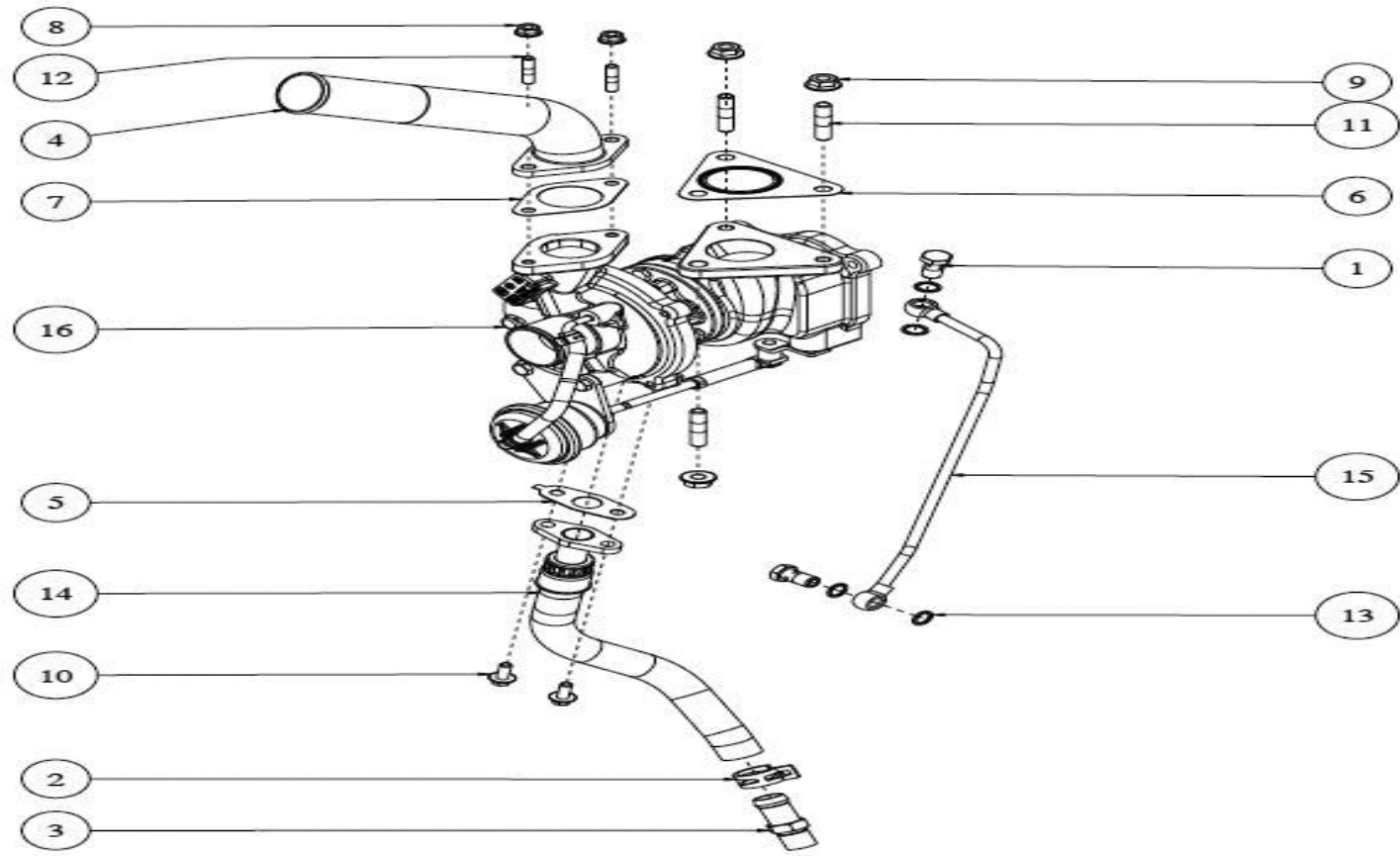
S. No.	PART NO.	PART NAME	PARÇA KODU	PARÇA ADI	ADET		AÇIKLAMA
					6000	7500	
					4WD	4WD	
1	487612114800	WASHER(2411158)	3602H014	PUL	1	1	
2	487612114900	PLUG(2431152)	3602H015	TERMOSTAT YATAĞI TAPASI	1	1	
3	487612115000	BODY_WATER_OUTLET(08SG3047)	3602H016	TERMOSTAT YATAĞI	1	1	
4	487612115100	CONNECTION_WATER_BY_PASS(20SG3069)	3602H017	TERMOSTAT ALT BAĞLANTI	1	1	
5	487612115200	JOINT(49SG3069)	3602H018	TERMOSTAT ALT BAĞLANTI CONTASU	1	1	
6	487612115300	JOINT_WATER_OUTLET_BODY(49SG3075)	3602H019	TERMOSTAT YATAĞI CONTASI	1	1	
7	487612100600	CONNECTION_WATERLINE(62SG3022)	3602A005	SUYOLU BAĞLANTI REKORU	1	1	
8	487612115500	PLUG(65DE0005)	3602H021	TERMOSTAT YATAĞI REKORU	1	1	
9	487612106700	SETSCREW(74SG3074)	3602H012	AYAR CİVATASI	2	2	
10	487612117400	BOLT(74SG3077)	3602D041	CİVATA	1	1	
11	487612115800	BOLT(74SG3091)	3602H024	TERMOSTAT YATAĞI CİVATASI	1	1	
12	487612115900	BOLT(74SG3095)	3602H025	TERMOSTAT YATAĞI CİVATASI	2	2	
13	487612116000	THERMOSTAT(DE006051)	3602H026	TERMOSTAT	1	1	
14	487612135900	TEMPREATURE_SENSOR(DE006146)	3602J024	HARARET MÜŞÜRÜ	1	1	



SU ÇIKIŞ BAĞLANTISI VE İLGİLİ PARÇALAR

GRUP:- P-

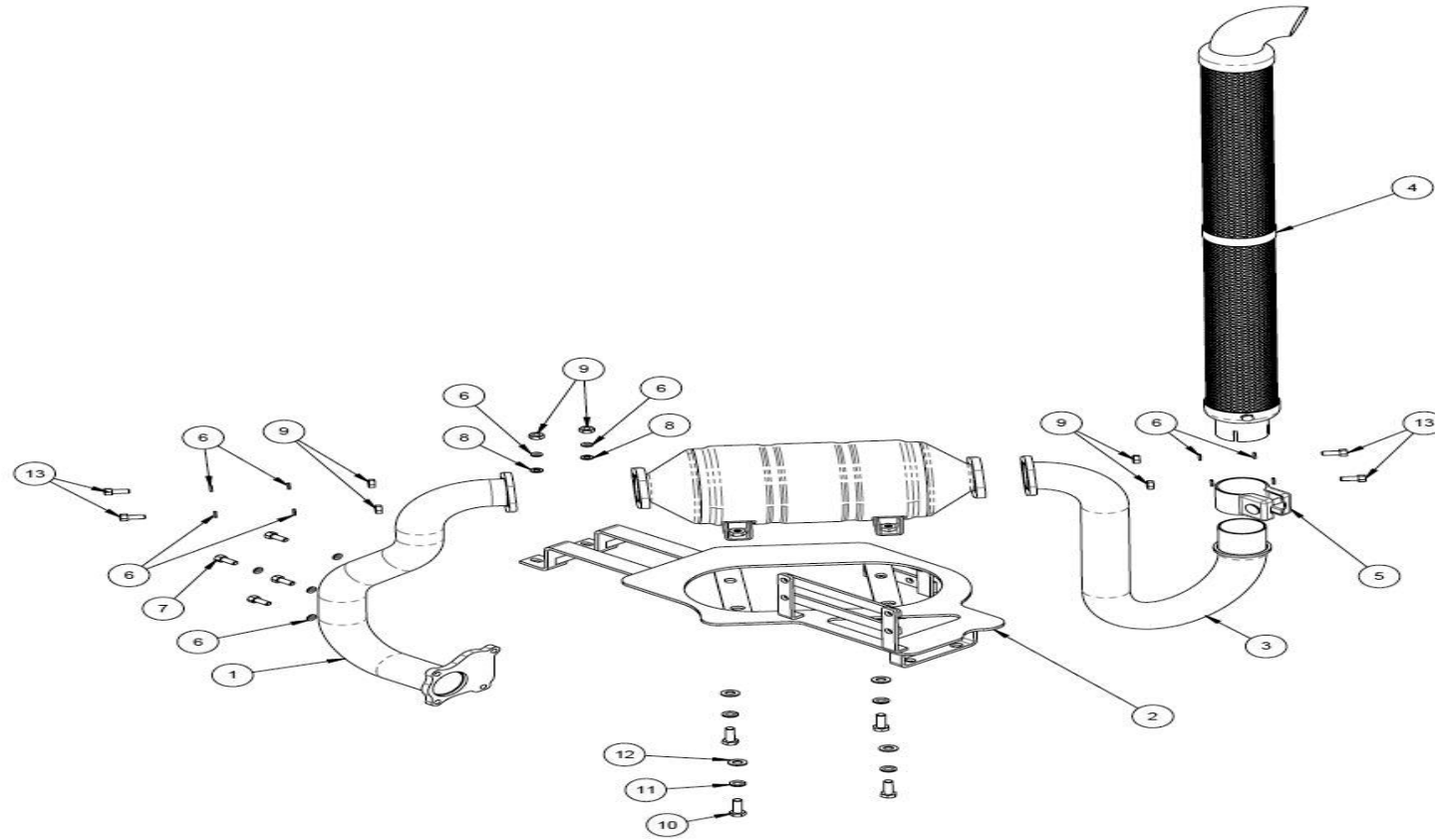
S. No.	PART NO.	PART NAME	PARÇA KODU	PARÇA ADI	ADET		AÇIKLAMA
					6000	7500	
					4WD	4WD	
1	487612119400	CONNECTION_WATER_OUTLET (20SG4028)	3602H028	SU ÇIKIŞ BAĞLANTISI	1	1	
2	487612119500	JOINT_WATER_OUTLET_CONNECTION (49S30197)	3602H029	SU ÇIKIŞ BAĞLANTISI CONTASI	1	1	
3	487612119600	NUT (57DE0103)	3602H030	SU ÇIKIŞ BAĞLANTISI SOMUNU	2	2	
4	487612119700	STUD (82SG4004)	3602H031	SU ÇIKIŞ BAĞLANTISI SAPLAMASI	2	2	
5	487612119800	WASHER (92DE0023)	3602H032	SU ÇIKIŞ BAĞLANTISI SAPLAMASI PULU	2	2	



TURBO VE İLGİLİ PARÇALAR

GRUP:- P-

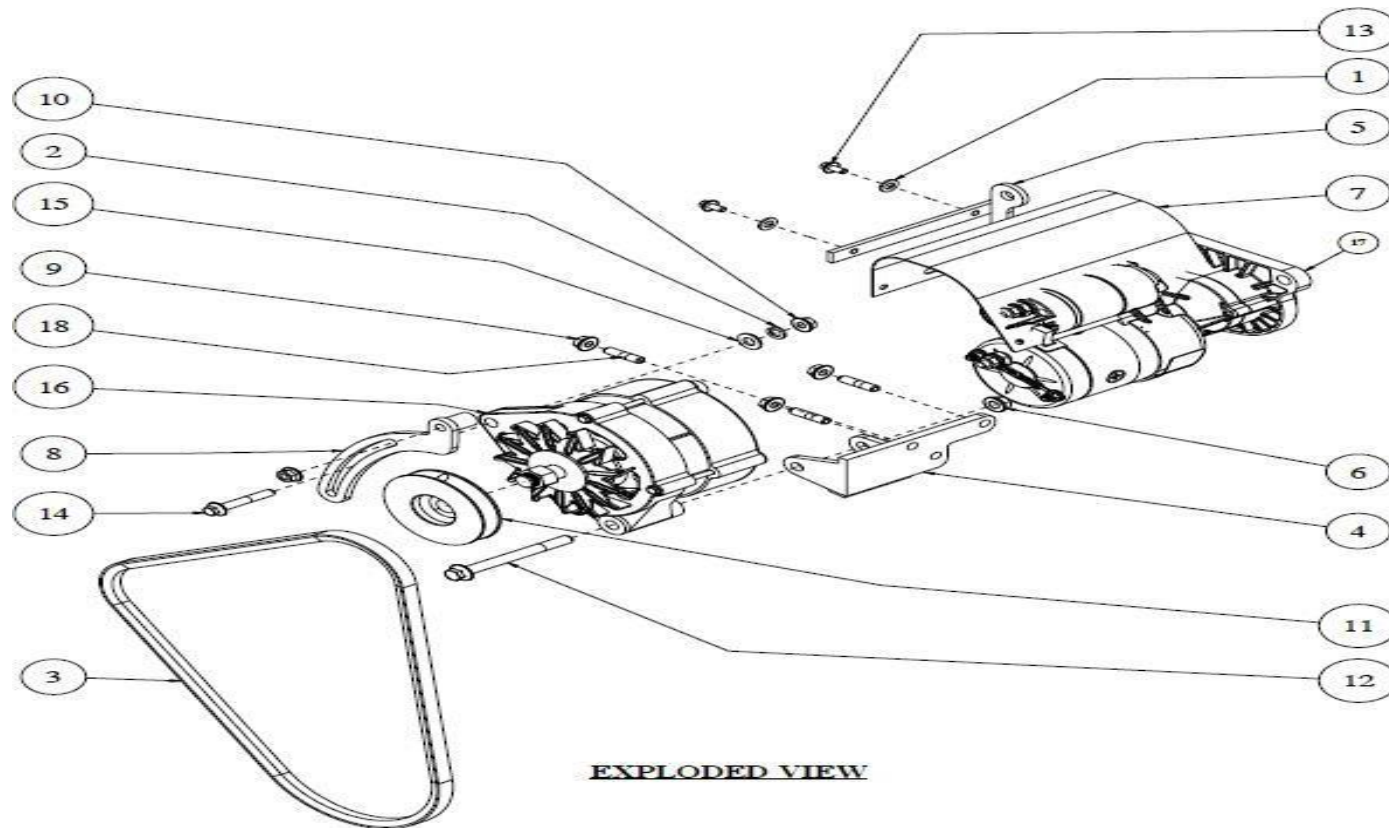
S. No.	PART NO.	PART NAME	PARÇA KODU	PARÇA ADI	ADET		AÇIKLAMA
					6000	7500	
					4WD	4WD	
1	487612126200	BOLT_BANJO(09DE0006)	3602I002	TURBO YAĞ GERİ DÖNÜŞ HORTUMU REKORU	2	2	
2	487612126300	CONSTANT_TENSION_CLAMP(17SG3010)	3602I003	KELEPÇE	1	1	
3	487612126400	UNION_TURBOCHARGER_OIL_DRAIN(20SG4052)	3602I004	TURBO YAĞ BASINÇ HORTUMU ARA PARÇA	1	1	
4	487612126500	ELBOW(20SG4167)	3602I005	TURBO DİRSEĞİ	1	1	
5	487612126600	JOINT_TURBOCHARGER_OIL_DRAIN(49DE0162)	3602I006	TURBO YAĞ BASINÇ HORTUMU CONTASI	1	1	
6	487612126700	GASKET_EXH_MANIFOLD_TO_TURBO-CHARGER(49SG3048)	3602I007	TURBO EGZOZ MANİFOLD ARASI CONTA ÜÇGEN	1	1	
7	487612126800	GASKET_TURBO_COMPRESSOR_OUT-LET(49SG3105)	3602I008	TURBO DİRSEĞİ CONTASI	1	1	
8	487612126900	NUT(57C20006)	3602I009	SOMUN	2	2	
9	487612116400	NUT(57SG4015)	3602G030	SOMUN	3	3	
10	487612127100	SETSCREW(74SG3082)	3602I011	AYAR CİVATASI	2	2	
11	487612127200	STUD(82SG3002)	3602I012	AYAR CİVATASI	3	3	
12	487612127300	STUD(82SG3005)	3602I013	TURBO SAPLAMASI	2	2	
13	487612101200	WASHER(92DE0009)	3602A011	PUL	4	4	
14	487612127500	PIPE_TURBOCHARGER_OIL_DRAIN(99SG4354)	3602I015	TURBO YAĞ BASINÇ HORTUMU	1	1	
15	487612127600	PIPE_ASSY_TURBOCHARGER_TO_OIL_FEED(99SG4646)	3602I016	TURBO YAĞ GERİ DÖNÜŞ HORTUMU	1	1	
16	487612127700	TURBO_CHARGER_PUNCHING_TAMPER_PROOF(DE007021)	3602I001	TURBO	1	1	



EGZOZ SUSTURUCU VE İLGİLİ PARÇALAR

GRUP:- P-

S. No.	PART NO.	PART NAME	PARÇA KODU	PARÇA ADI	ADET		AÇIKLAMA
					6000	7500	
					4WD	4WD	
1	487615100100	DOC PIPE INLET ASSEMBLY	3602I017	EGZOZ DİRSEĞİ GİRİŞ	1	1	
2	487615300300	DOC MOUNTING PLATE	3602I018	SUSTURUCU ALT BAĞLANTI BRAKETİ	1	1	
3	487615100200	DOC PIPE OUTLET ASSEMBLY	3602I019	EGZOZ DİRSEĞİ ÇIKIŞ	1	1	
4	499115320200	SILENCER PIPE WITH MESH	3602I020	EGZOZ BORUSU	1	1	
5	499198319900	CLAMP ASSY (SILENCER)	3602I021	EGZOZ DİRSEĞİ ÇIKIŞ KELEPÇESİ	1	1	
6	901610800000	SPRING WASHER B-8	3602I022	YAYLI RONDELA	14	14	
7	901500812050	SCREW HEX M8X25-GR-8.8	3311A029	ALTİGEN CİVATA M8X25 SARI 8.8	4	4	
8	901600800000	PLAIN WASHER M8	3302B042	RONDELA M8	2	2	
9	901200810000	HEX NUT M8	3311A094	SOMUN M8	2	2	
10	901501012040	HEX SCREW (M10X20)	3311A020	ALTİGEN CİVATA M10X20	2	2	
11	901601000000	PLAIN WASHER (M10)	3302A033	RONDELA M10	2	2	
12	901611000000	SPRING WASHER (M10)	3602I023	YAYLI RONDELA M10	2	2	
13	901500812060	HEX SCREW (M8X30)	3311A033	ALTİGEN CİVATA M8X30	4	4	
14	487612136200	ECO CAT DOC(DE006992)	3602I024	EGZOZ SUSTURUCU	1	1	

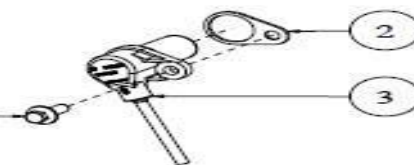
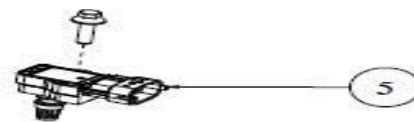


EXPLODED VIEW

ALTERNATOR MARŞ MOTORU VE İLGİLİ PARÇALAR

GRUP:- P-

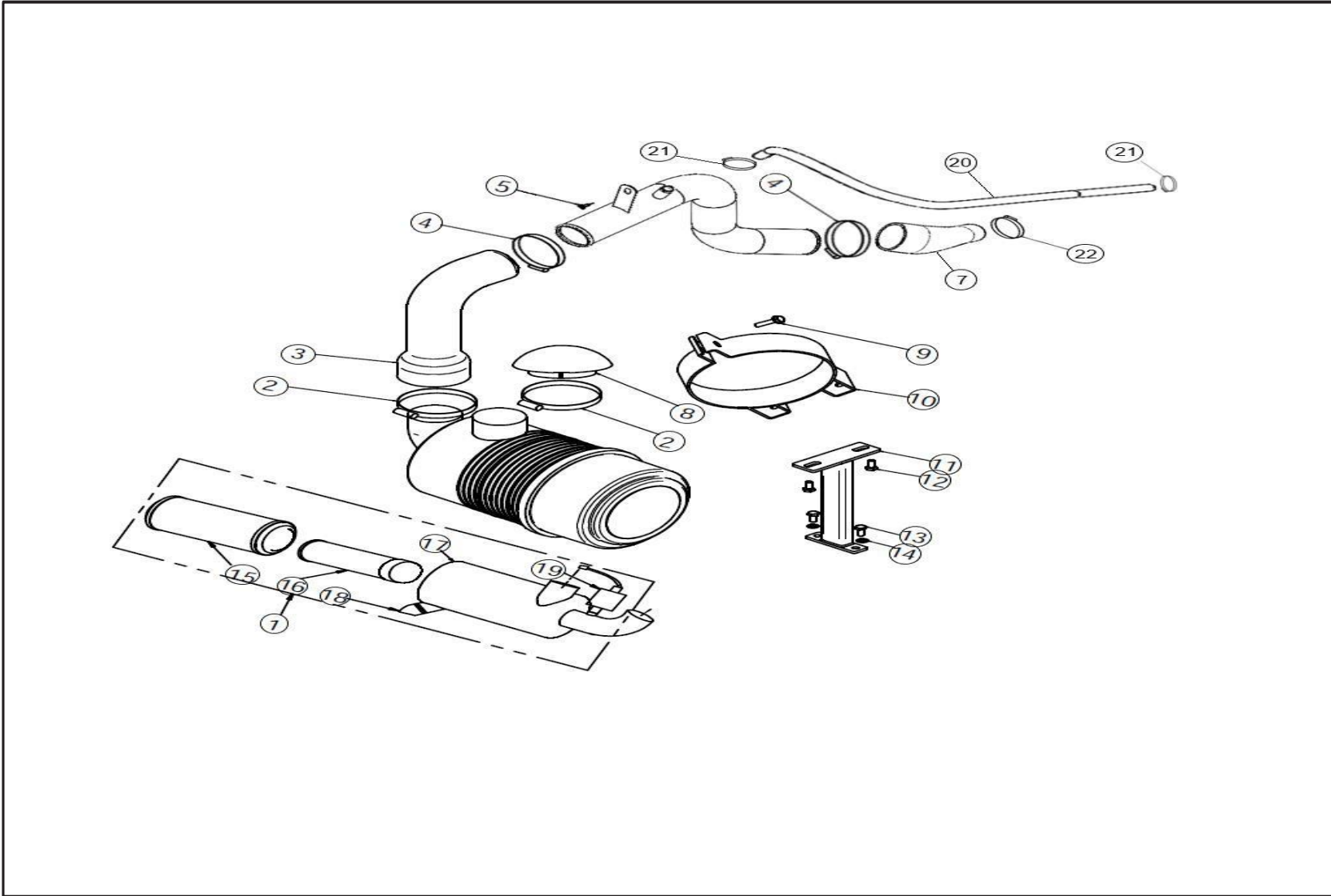
S. No.	PART NO.	PART NAME	PARÇA KODU	PARÇA ADI	ADET		AÇIKLAMA
					6000	7500	
					4WD	4WD	
1	487612127800	WASHER_PLAIN(920003)	3602J002	RONDELA	2	2	
2	487612127900	WASHER_SPRING(920053)	3602J003	YAYLI RONDELA	1	1	
3	487612128000	BELT_FAN_DRIVE(07DE0003)	3602J004	ALTERNATÖR KAYIŞI	1	1	
4	487612128100	BRACKET_ALTERNATOR(10SG3039)	3602J005	ALTERNATÖR BRAKETİ	1	1	
5	487612128200	BRACKET(10SG4028)	3602J006	MARŞ MOTORU BAĞLANTI BRAKETİ	1	1	
6	487612128300	NUT(2318A604)	3602J007	SOMUN	1	1	
7	487612128400	HEAT_SHIELD_STARTER_MOTOR(24SG4038)	3602J008	MARŞ MOTORU ISI KORUMA KAPAĞI	1	1	
8	487612128500	LEVER_ALTERNATOR(52SG4025)	3602J009	ALTERNATÖR BRAKETİ KÜÇÜK	1	1	
9	487612107800	NUT(57SG3013)	3602C009	SOMUN	3	3	
10	487612116400	NUT(57SG4015)	3602G030	SOMUN	2	2	
11	487612128800	PULLEY_ALTERNATOR(67DE0094)	3602J012	ALTERNATÖR KASNAĞI	1	1	
12	487612128900	BOLT(74DE0203)	3602J013	ALTERNATÖR CİVATASI	1	1	
13	487612108100	SETSCREW(74SG3081)	3602C012	AYAR CİVATASI	2	2	
14	487612129100	BOLT(74SG4069)	3602J015	ALTERNATÖR BRAKETİ KÜÇÜK CİVATASI	1	1	
15	487612129200	WASHER(92DE0023)	3602J016	PUL	1	1	
16	487612129300	ALTERNATOR(DE005551)	3602J001	ALTERNATÖR	1	1	
17	487612129400	MOTOR_STARTING(DE006250)	3602J017	MARŞ MOTORU	1	1	
18	487612129500	STUD(S4008217)	3602J018	SAPLAMA	3	3	
19	424611324700	LEAD SEAL (LOCK)	3602J019	TESİSAT KABLOSU TUTUCU	1	1	



SENSÖRLER VE İLGİLİ PARÇALAR

GRUP:- P-

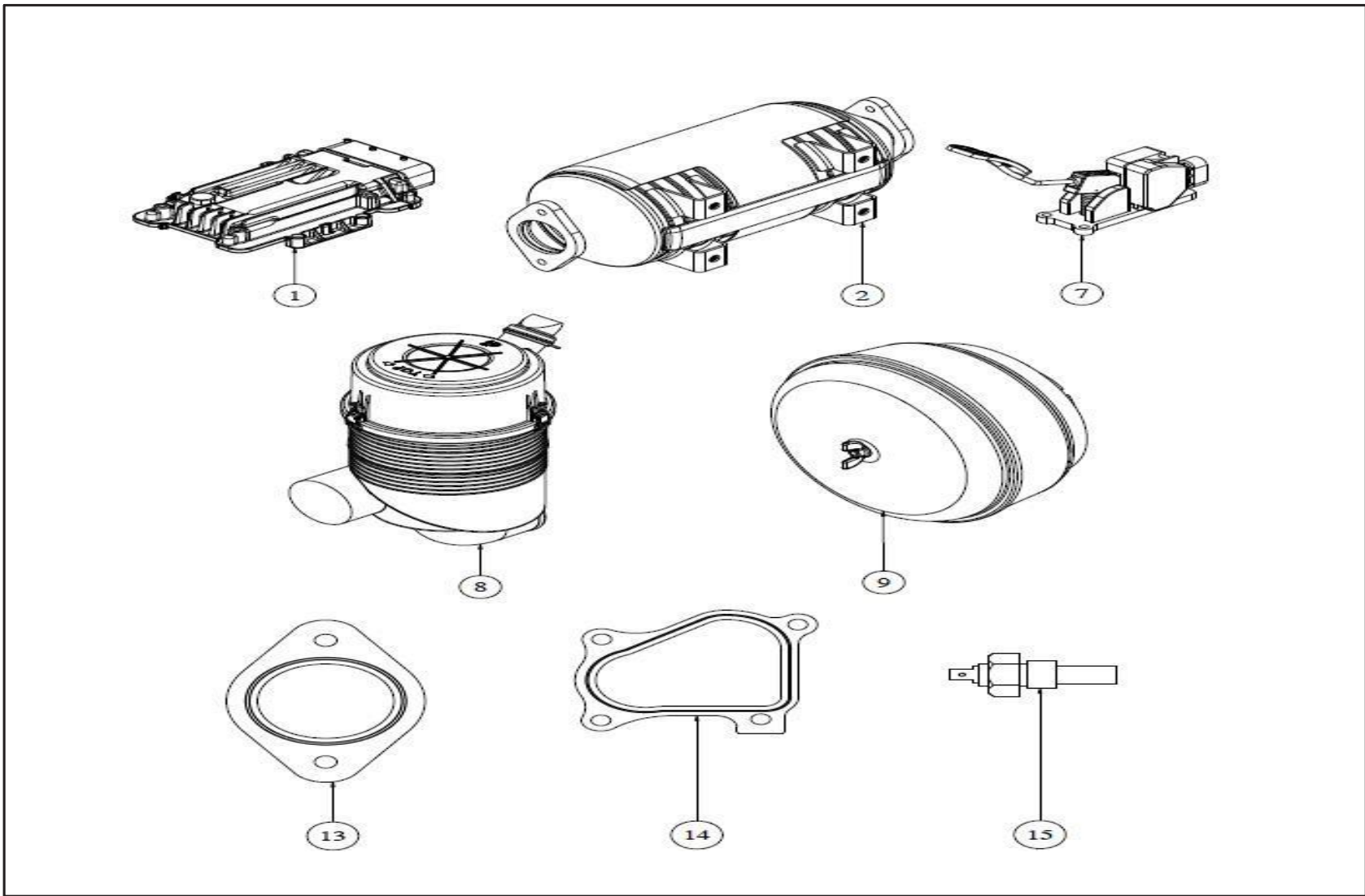
S. No.	PART NO.	PART NAME	PARÇA KODU	PARÇA ADI	ADET		AÇIKLAMA
					6000	7500	
					4WD	4WD	
1	487612101100	SETSCREW(74SG3029)	3602A010	AYAR CIVATASI	3	3	
2	487612135500	PLAIN_WASHER_(SPEED_SENSOR)(92SG3010)	3602J020	DEVİR SENSÖRÜ PULU	1	1	
3	487612135600	ROTATIONAL_SPEED_SENSOR(DE006123)	3602J021	DEVİR SENSÖRÜ	1	1	
4	487612101400	CAM/PHASE_SENSOR(DE006124)	3602A013	KAM MİL SENSÖRÜ	1	1	
5	487612121400	BOOST_PRESSURE_SENSOR(DE006125)	3602J023	TURBO BASINÇ SENSÖRÜ	1	1	
6	487612135900	TEMPREATURE_SENSOR(DE006146)	3602J024	HARARET MÜŞÜRÜ	1	1	
7	487612101500	COMBINED_OIL_PRESSURE_TEMPATURE_SENSOR(DE006804)	3602A014	YAĞ BASINÇ SENSÖRÜ	1	1	



HAVA FİLTRESİ VE İLGİLİ PARÇALAR

GRUP:- P-

S. No.	PART NO.	PART NAME	PARA KODU	PARA ADI	ADET		AIKLAMA
					6000	7500	
					4WD	4WD	
1	466119120800	AIR CLEANER ASSY. 8"	3602K001	HAVA FİLTRESİ KOMPLE	1	1	
2	955400550750	WORM DRIVE HOSE CLAMP 100MM	3602K002	HAVA FİLTRESİ KABI KELEPÇESİ	2	2	
3	466119429900	HOSE (AIR CLEANER TO CONNECTOR)	3602K003	HORTUM HAVA FİLTRESİ TURBO ARASI	1	1	
4	955400801000	WORM CLIP – DIA. 80	3602K004	HORTUM KELEPÇESİ	3	3	
5	901550612031	HEX FLANGE SCREW M6X16 (YELLOW)	3311A057	ALTİGEN CİVATA M6X16	2	2	
6	487615400500	PIPE; TURBO TO AIR CLEANER	3602K006	BORU HAVA FİLTRESİ TURBO ARASI	1	1	
7	487695400100	HOSE; (AIR CLEANER TO TURBO)	3602K007	HORTUM HAVA FİLTRESİ TURBO ARASI KÜÇÜK	1	1	
8	499192224900	RAIN CAP 8"	3602K008	HAVA FİLTRE ŞAPKASI	1	1	
9	901500812070	HEX FLANGE SCREW M8X35	3602K009	FLANŞLI CİVATA M8X35	1	1	
10	487692227900	AIR CLEANER CLAMP 8"	3602K010	HAVA FİLTRESİ KELEPÇESİ BÜYÜK	1	1	
11	487651300100	AIR CLEANER MOUNTING BRACKET (75 HP)	3602K011	HAVA FİLTRESİ BAĞLANTI BRAKETİ	1	1	
12	901550812041	HEX FLANGE SCREW M8X20	3308D012	FLANŞLI CİVATA M8X20	2	2	
13	901500812050	SCREW HEX M8X25-GR-8.8	3311A029	ALTİGEN CİVATA M8X25 SARI 8.8	2	2	
14	901610800000	SPRING WASHER -B8	3602I022	YAYLI RONDELA	2	2	
15	466119120900	ELEMENT ASSEMBLY, PRIMARY 8"	3602K013	HAVA FİLTRESİ DIŞ	1	1	
16	466119121000	ELEMENT ASSEMBLY, SAFETY 8"	3602K014	HAVA FİLTRESİ İÇ	1	1	
17	487692228200	COVER ASSEMBLY 8"	3602K015	HAVA FİLTRESİ KABI	1	1	
18	487692228300	VACUATOR VALVE	3602K016	HAVA EMİŞ TOZ LASTİĞİ	1	1	
19	487692228400	ELECTRICAL INDICATOR (OVAL)	3602K017	İNDİKATÖR	1	1	
20	910005201100	CLB HOSE	3602K018	HORTUM	1	1	
21	955400320450	WORM DRIVE HOSE CLAMP-45A	3602K019	KELEPÇE D45	2	2	
22	998000000375	T BOLT HOSE CLAMP 60MM	3602K020	KELEPÇE D60	1	1	



ECU VE İLGİLİ PARÇALAR

GRUP:- P-

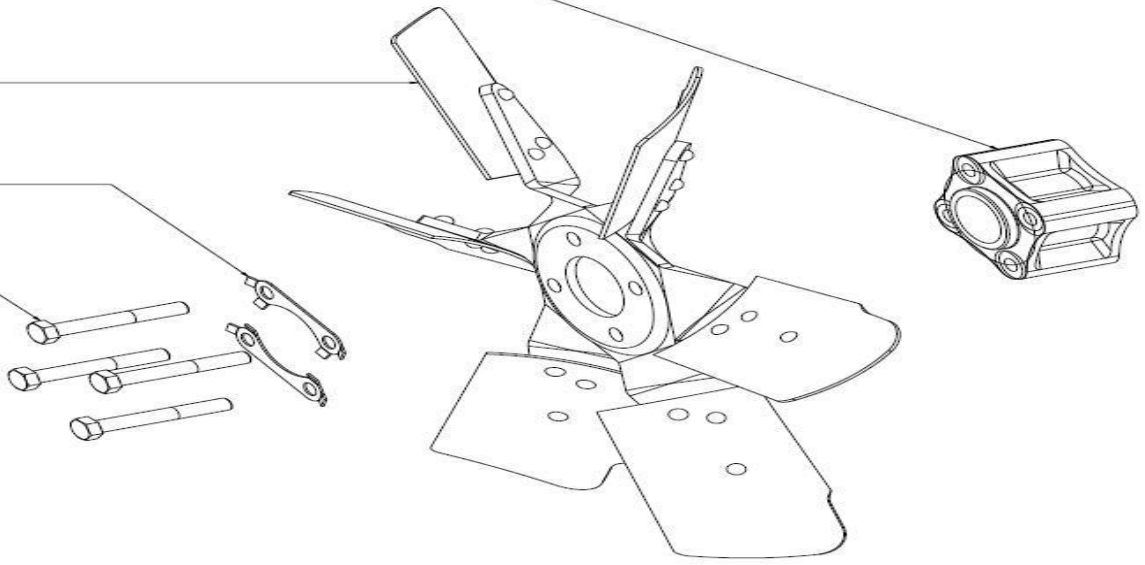
S. No.	PART NO.	PART NAME	PARÇA KODU	PARÇA ADI	ADET		AÇIKLAMA
					6000	7500	
					4WD	4WD	
1	487612136100	MD1CS162_ECU(DE006887)	3602K021	ECU	1	1	
2	487612136200	ECO CAT DOC(DE006992)	3602I024	EGZoz SUSTURUCU	1	1	
3	487612136300	HOSE ASSEMBLY FUEL FILTER(99SG3817)	3602K022	YAKIT FİLTRE HORTUMLARI SETİ	1	1	
4	487612136400	BANJO BOLT(09DE0005)	3602K023	BANJO CİVATA	2	2	
5	487612136500	DOWTY WASHER(92S30194)	3602K024	PUL	4	4	
6	487612136600	WIRING HARNESS(DE006906)	3602K025	ELEKTRİK TESİSATI	1	1	
7	487612136700	PEDAL MODULE(DE006762)	3602K026	GAZ PEDALI MODULÜ	1	1	
8	487612136800	AIR CLEANER(DE006318)	3602K001	HAVA FİLTRESİ KOMPLE	1	1	
9	487612136900	PRE AIR CLEANER ASSEMBLY(DE006322)	3602K028	HAVA FİLTRESİ KAPAĞI	1	1	
10	487692228400	ELECTRICAL INDICATOR (OVAL)	3602K017	İNDİKATÖR	1	1	

3

1

2

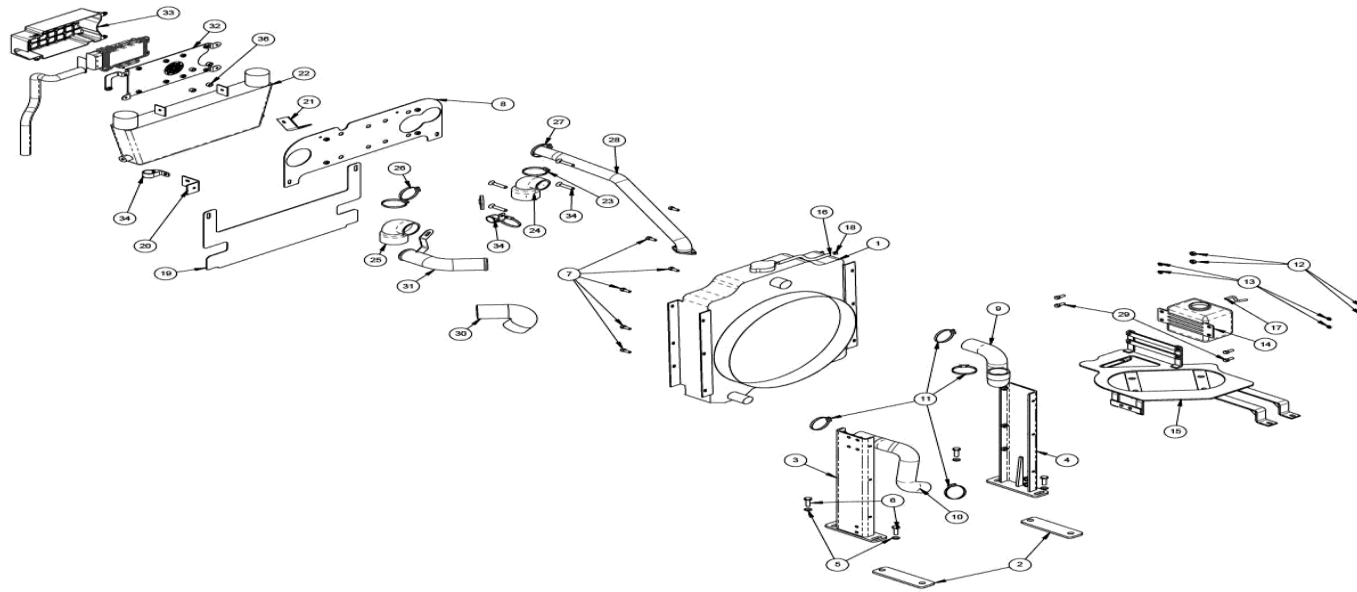
4



FAN VE İLGİLİ PARÇALAR

GRUP:- P-

S. No.	PART NO.	PART NAME	PARÇA KODU	PARÇA ADI	ADET		AÇIKLAMA
					6000	7500	
					4WD	4WD	
1	487616400400	FAN SIMPSON ENGINE	3602L001	FAN SIMPSON	1	1	
2	487612135000	WASHER_TAB(920645)	3602L002	FAN BAĞLANTI PLEYTİ	2	2	
3	487612136000	EXTENSION_FAN(36DE0010)	3602L003	FAN ARA PARÇA	1	1	
4	487612137000	BOLT(74S30166)	3602L004	CIVATA	4	4	



RADYATÖR VE İLGİLİ PARÇALAR

GRUP:- P-

S. No.	PART NO.	PART NAME	PARÇA KODU	PARÇA ADI	ADET		AÇIKLAMA
					6000	7500	
					4WD	4WD	
1	445112100400	RADIATOR ASSY 75 /90HP	3602L005	RADYATÖR	1	1	
2	487615401600	RUBBER PAD; RADIATOR MOUNTING BRACKET	3602L006	RADYATÖR ALTI TAKOZ	2	2	
3	487615401500	RADIATOR MTG BRKT LH	3602L007	RADYATÖR YAN BAĞLANTI SOL	1	1	
4	487615401400	RADIATOR MTG BRKT RH	3602L008	RADYATÖR YAN BAĞLANTI SAĞ	3	3	
5	901611000000	SPRING WASHER (M10)	3602I023	YAYLI RONDELA M10	2	2	
6	901501011070	HEX SCREW M10X35	3302E048	ALTİGEN CİVATA M10X35	1	1	
7	901550812041	HEX FLANGE SCREW M8X20	3308D012	FLANŞLI CİVATA M8X20	1	1	
8	487661300100	RADIATOR SEALING PLATE 75 HP	3602L012	RADYATÖR BRAKETİ ÜST	1	1	
9	487616400200	HOSE; (WATER PUMP TO OUTLET); RADIATOR	3602L013	RADYATÖR ÜST HORTUM	1	1	
10	487616400100	HOSE; (INLET TO WATER PUMP); RADIATOR	3602L014	RADYATÖR ALT HORTUM	1	1	
11	423532427600	WORM CLIP - DIA60	3602L015	RADYATÖR HORTUM KELEPÇESİ	1	1	
12	901220800000	NYLOCK NUT 8MM	3302M008	FİBER SOMUN M8	2	2	
13	901600800000	PLAIN WASHER M8	3302B042	RONDELA M8	2	2	
14	423512400900	RECOVERY BOTTLE	3602L018	RADYATÖR YEDEK SU TANKI	2	2	
15	487615300300	DOC MOUNTING PLATE	3602I018	SUSTURUCU ALT BAĞLANTI BRAKETİ	1	1	
16	423512400600	RUBBER PIPE (RADIATOR TO RECOVERY BOTTLE)	3602L020	RADYATÖR YEDEK SU TANKI HORTUMU	1	1	
17	423512400700	OVER FLOW PIPE	3602L021	RADYATÖR YEDEK SU TANKI TAHLİYE HORTUMU	1	1	

RADYATÖR VE İLGİLİ PARÇALAR

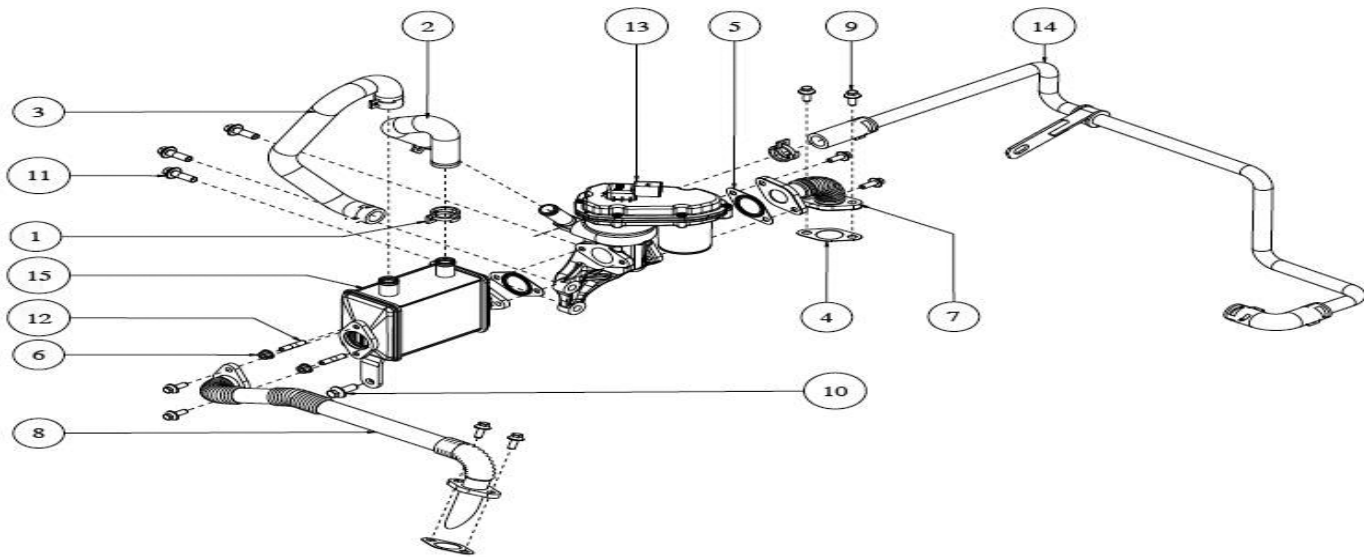
GRUP:- P-

18	423512400800	HOSE CLAMP Ø12	3602L022	KELEPÇE D12	1	1
19	487661100500	RADIATOR BOTTOM SEALING PLATE	3602L023	RADYATÖR BRAKETİ ALT	1	1
20	499115321900	INTER COOLER MTG BKT- LH	3602L024	INTERCOOLER BAĞLANTI BRAKETİ SOL	1	1
21	499115320800	INTER COOLER MTG BKT- RH	3602L025	INTERCOOLER BAĞLANTI BRAKETİ SAĞ	2	2
22	466117120500	INTER COOLER ASSY	3602L026	INTERCOOLER	1	1
23	499115420800	T- BOLT HOSE CLAMP 71MM	3602L027	TEL KELEPÇE D71	1	1
24	499115420000	HOSE (CONNECTOR TO INTER COOLER)	3602L028	HORTUM INTERCOOLER KISA	1	1
25	499115420100	HOSE (INTER COOLER TO INLET PIPE)	3602L029	HORTUM INTERCOOLER KISA	1	1
26	998000000338	T BOLT HOSE CLAMP 42MM	3602L030	TEL KELEPÇE D42	1	1
27	998000000375	T BOLT HOSE CLAMP 60MM	3602K020	KELEPÇE D60	1	1
28	487615400400	TURBO PIPE SIMPSON ENGINE	3602L032	BORU INTERCOOLER TURBO	1	1
29	901550812050	HEX FLANGE SCREW M8X25	3302E047	FLANŞLI CİVATA M8X25	1	1
30	487615400300	HOSE; INTERCOOLER TO INTAKE MANIFOLD; INTERCOOLER	3602L034	HORTUM INTERCOOLER EMME MANİFOLD ARASI	1	1
31	487615400100	PIPE; INTERCOOLER TO INTAKE MANIFOLD; INTERCOOLER	3602L035	BORU INTERCOOLER EMME MANİFOLD ARASI	1	1
32	487686401100	ECU MTG BRKT	3602L036	ECU BAĞLANTI BRAKETİ	1	1
33	487686401200	ECU COVER	3602L037	ECU KAPAĞI	1	1

RADYATÖR VE İLGİLİ PARÇALAR

GRUP:- P-

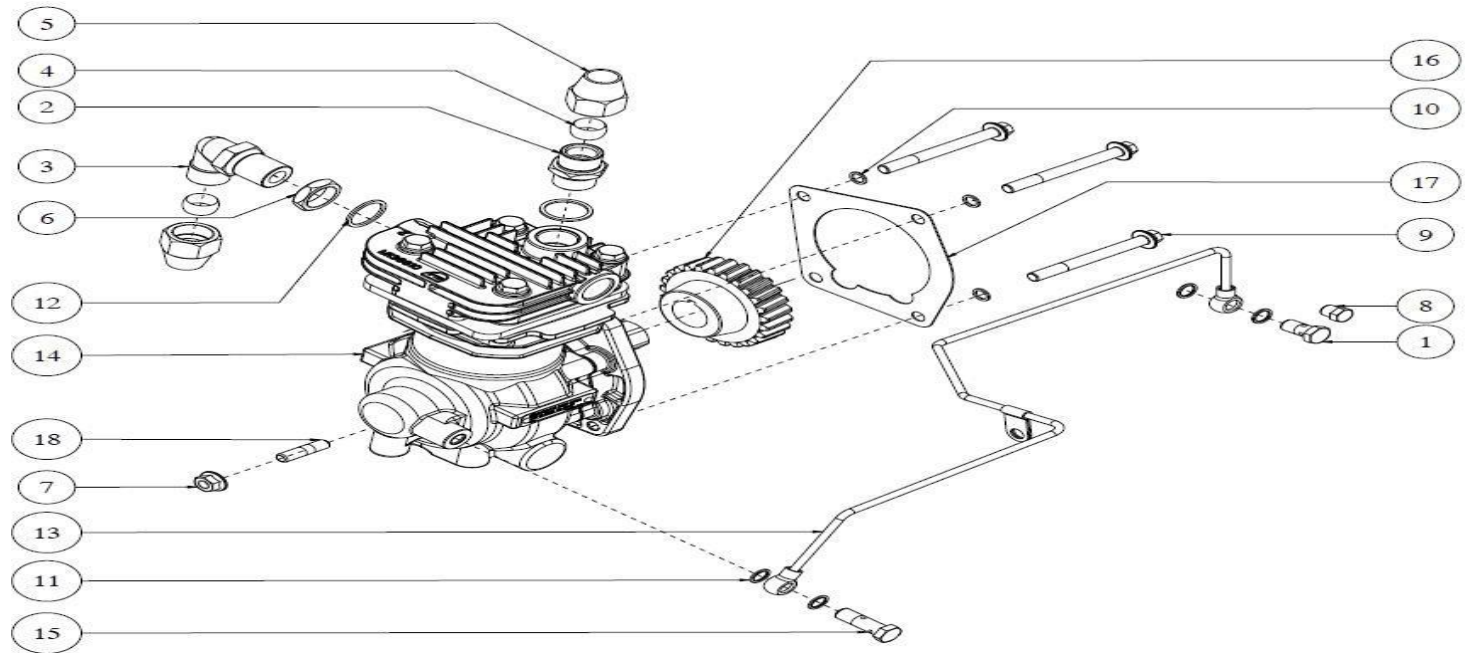
34	487686401400	CLAMP ENGINE HARNESS	3607A021	ELEKTRİK TESİSATI KELEPÇESİ	1	1	
35	901550612031	HEX FLANGE SCREW M6X16 (YELLOW)	3311A057	ALTİGEN CİVATA M6X16	1	1	
36	487686401300	RUBBER PAD (ECU MOUNTING)	3602L040	ECU ALT TAKOZ	1	1	
			3602L041	HİD. YAĞ SOĞUTUCU RADYATÖR	1	1	
			3602L042	HİD. YAĞ SOĞUTUCU RADYATÖR BRAKETİ	1	1	
			3602L043	HİD. YAĞ SOĞUTUCU RADYATÖR HORTUMU ÖN 1	1	1	RADYATÖR TARAFI
			3602L044	HİD. YAĞ SOĞUTUCU RADYATÖR HORTUMU ÖN 2	1	1	RADYATÖR TARAFI
			3602L045	HİD. YAĞ SOĞUTUCU RADYATÖR BORUSU ÇIKIŞ	1	1	
			3602L046	HİD. YAĞ SOĞUTUCU RADYATÖR BORUSU GİRİŞ	1	1	
			3602L047	HİD. YAĞ SOĞUTUCU RADYATÖR BORUSU UZATMA	2	2	
			3602L048	HİD. YAĞ SOĞUTUCU RADYATÖR HORTUMU ARKA	1	1	HİDROLİK TARAFI
			3602L049	HİD. YAĞ SOĞUTUCU RADYATÖR HORTUMU ARKA	1	1	HİDROLİK TARAFI



EGR VE İLGİLİ PARÇALAR

GRUP:- P-

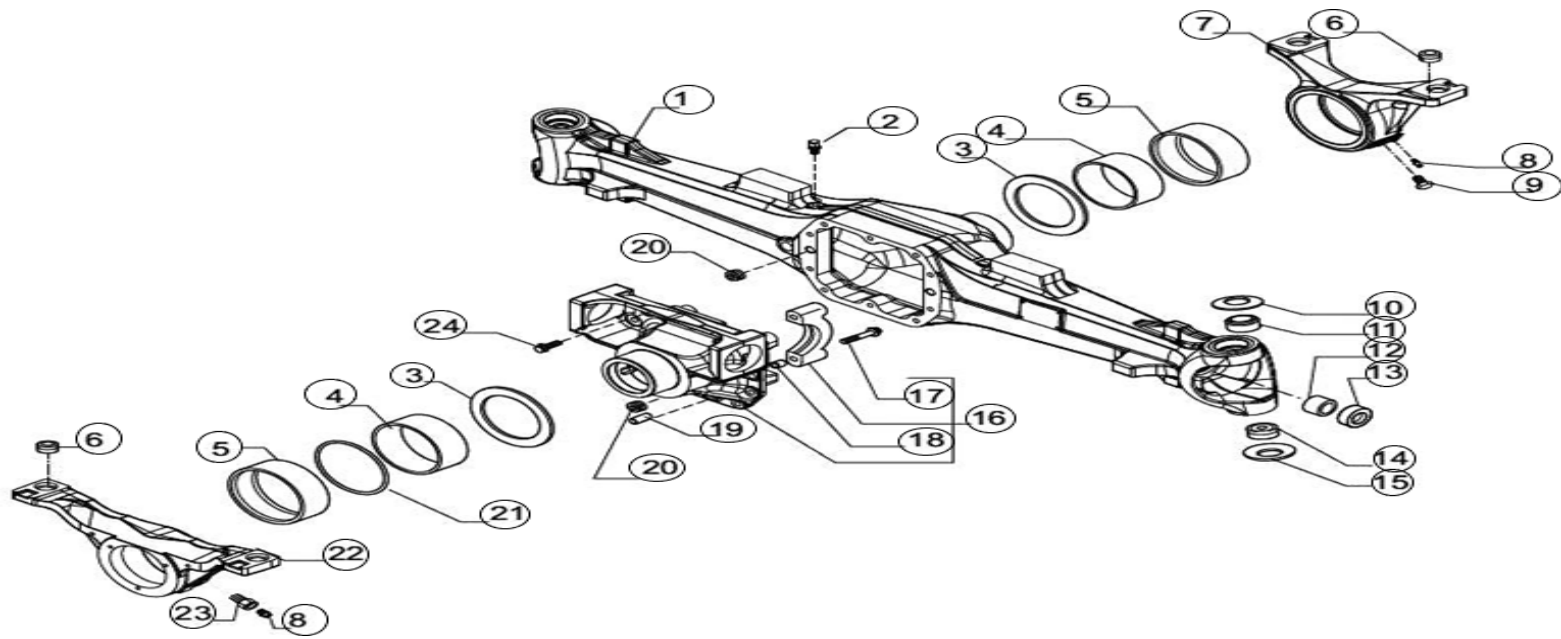
S. No.	PART NO.	PART NAME	PARÇA KODU	PARÇA ADI	ADET		AÇIKLAMA
					6000	7500	
					4WD	4WD	
1	487612124400	CONSTANT_TENSION_CLAMP(17SG3010)	3602C024	KELEPÇE	8	8	
2	487612130200	HOSE_EGR_TO_EGR_COOLER(20SG3041)	3602M001	EGR KISA HORTUM	1	1	
3	487612130300	HOSE_EGR_COOLER_TO_WATER_OUTLET_BODY(20SG4178)	3602M002	EGR SU ÇIKIŞ ARASI HORTUM	1	1	
4	487612130400	GASKET_EGR(49SG3050)	3602M003	EGR CONTASI	2	2	
5	487612130500	GASKET_EGR_VALVE_&_COOLER(49SG3054)	3602M004	EGR GİRİŞ BORUSU CONTASI	3	3	
6	487612126900	NUT(57C20006)	3602I009	SOMUN	2	2	
7	487612130700	EXHAUST_GAS_INLET_PIPE_EMF_TO_EGR(62SG3020)	3602M006	EGR GİRİŞ BORUSU	1	1	
8	487612130800	EGR PIPE - EGR COOLER TO IMF(62SG4061)	3602M007	EGR ÇIKIŞ BORUSU	1	1	
9	487612130900	SETSCREW(74SG3027)	3602M008	AYAR CİVATASI	8	8	
10	487612125900	SETSCREW(74SG3040)	3602A041	AYAR CİVATASI	1	1	
11	487612131100	BOLT(74SG3051)	3602M010	CİVATA	3	3	
12	487612127300	STUD(82SG3005)	3602I013	TURBO SAPLAMASI	2	2	
13	487612131300	MOTORIZED_EGR(99SG3247)	3602M012	EGER BEYNİ	1	1	
14	487612131400	PIPE_ASSY_BLOCK_TO_EGR(99SG4872)	3602M013	EGR BORUSU	1	1	
15	487612131500	EGR_COOLER_10_KW(DE006932)	3602M014	EGR SOĞUTUCU	1	1	



HAVA KOMPRESÖRÜ VE İLGİLİ PARÇALAR

GRUP:- P-

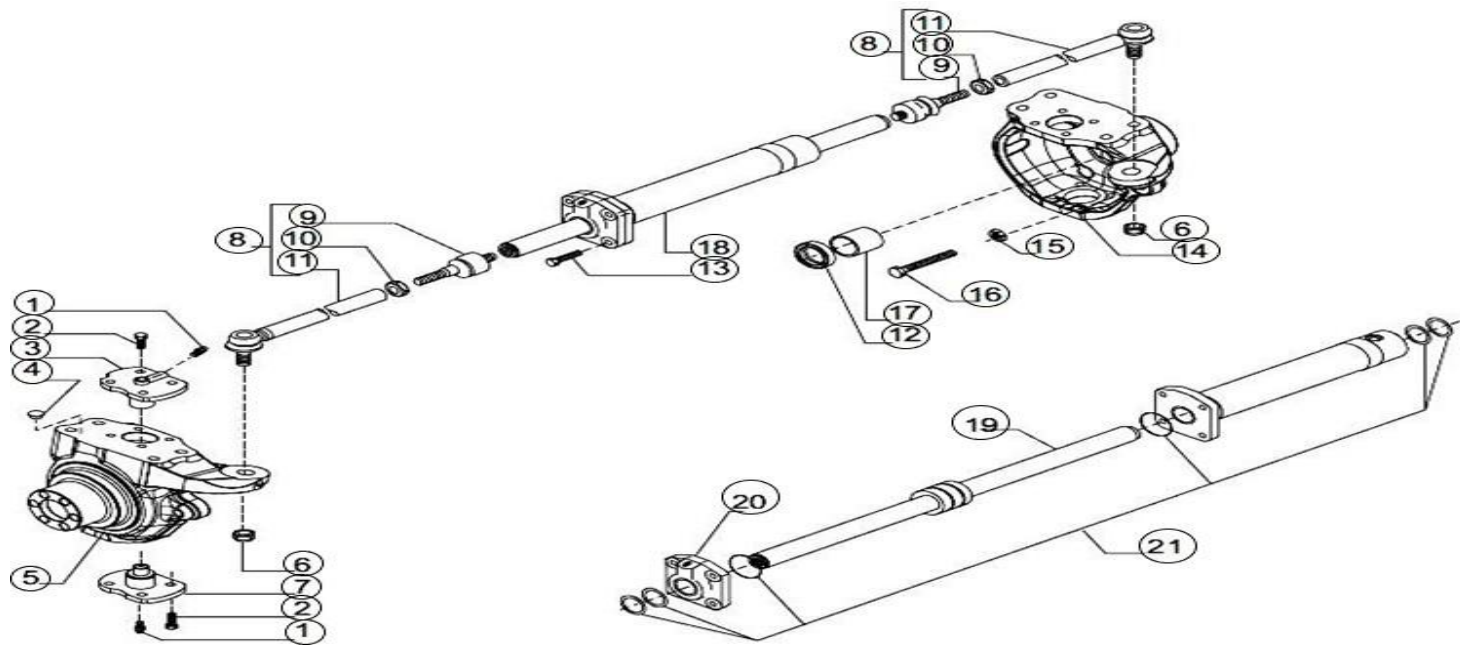
S. No.	PART NO.	PART NAME	PARÇA KODU	PARÇA ADI	ADET		AÇIKLAMA
					6000	7500	
					4WD	4WD	
1	487612126200	BOLT_BANJO(09DE0006)	3602I002	TURBO YAĞ GERİ DÖNÜŞ HORTUMU REKORU	1	1	
2	487612131700	UNION(20DE0061)	3602N001	REKOR	1	1	
3	487612131800	ELBOW_SOCKET(20DE0062)	3602N002	DİRSEKLİ REKOR	1	1	
4	487612131900	SLEEVE(56DE0005)	3602N003	ARA BURÇ	2	2	
5	487612132000	NUT(57DE0012)	3602N004	SOMUN	2	2	
6	487612132100	NUT(57DE0013)	3602N005	SOMUN	1	1	
7	487612107800	NUT(57SG3013)	3602C009	SOMUN	1	1	
8	487612100700	PLUG(65DE0036)	3602A006	TAPA	1	1	
9	487612117400	BOLT(74SG3077)	3602D041	ÇİVATA	3	3	
10	487612104900	WASHER(92DE0003)	3602D011	YAĞ BORUSU PULU	3	3	
11	487612101200	WASHER(92DE0009)	3602A011	PUL	4	4	
12	487612132700	WASHER_SEALING(92DE0027)	3602N006	O-RING	2	2	
13	487612132800	PIPE_ASSY_BLOCK_TO_COMP RES- SOR(99SG4815)	3602N007	KOMPRESÖR BORUSU	1	1	
14	487612132900	COMPRESSOR_AIR(DE006048)	3602N008	HAVA KOMPRESÖRÜ	1	1	
15	487612133000	BOLT_BANJO(S4000904)	3602N009	REKOR	1	1	
16	487612133100	GEAR_AIR_COMPRESSOR(S40 04108)	3602N010	HAVA KOMPRESÖRÜ DİŞLİSİ	1	1	
17	487612133200	JOINT_POWER_TAKE_OFF_BL ANKING_PLATE(S4004916)	3602N011	HAVA KOMPRESÖRÜ BAĞLANTI CONTASI	1	1	
18	487612129500	STUD(S4008217)	3602J018	SAPLAMA	1	1	



ÖN AKS VE İLGİLİ PARÇALAR (4WD)

GRUP:- P-

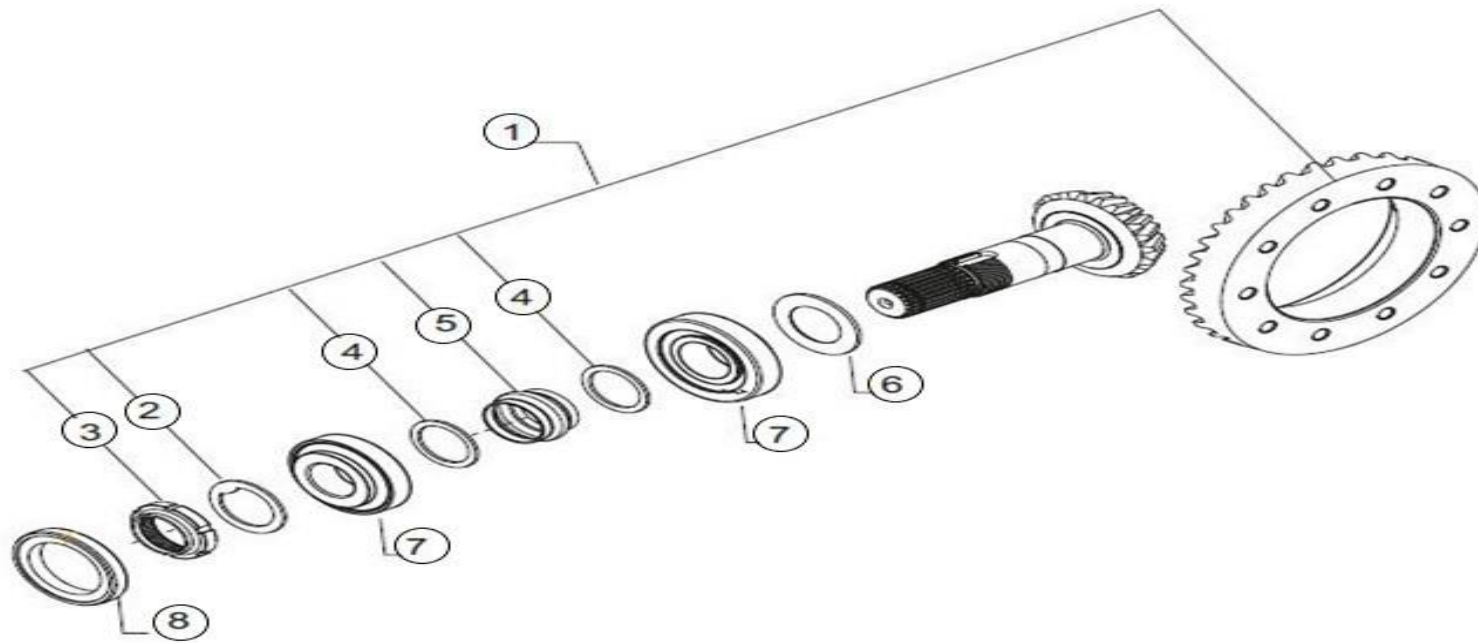
S. No.	PART NO.	PART NAME	PARÇA KODU	PARÇA ADI	ADET		AÇIKLAMA
					6000	7500	
					4WD	4WD	
0		AXLE	3604000	ÖN AKS KOMPLE	1	1	KOMPLE
1	499151119900	AXLE HOUSING(421335)	3604A001	ÖN AKS KOVANI	1	1	BOŞ
2	499151120000	BREATHER M10X1(104988)	3604A002	HAVALANDIRMA TAPASI M10X1	1	1	
3	499151120100	WASHER(115776)	3604A003	4WD ÖN AKS BAĞLANTI SAPORT BURCU PULU	2	2	
4	499151120200	BUSH(101565)	3604A004	4WD ÖN AKS BAĞLANTI SAPORT BURCU	2	2	
5	499151120300	BUSH(101575)	3604A005	4WD ÖN AKS BAĞLANTI SAPORT BURCU	2	2	
6	499151120400	BUSH(116529)	3604A006	BURÇ	4	4	
7	499151120500	FRONT SUPPORT(126781)	3604A007	ÖN AKS ÖN BAĞLANTI SAPORT ÖN	1	1	
8	499151120600	GREASER NIPPLE M6X1(24210)	3604A008	GRESÖRLÜK M6X1	2	2	
9	499151120700	BOLT(126633)	3604A009	ÇİVATA	1	1	
10	499151120800	BELLEVILLE WASHER(125813)	3604A010	ÖN AKS YAN KONİK PUL ÜST	2	2	
11	499151120900	BUSH(144557)	3604A011	BURÇ	2	2	
12	499151121000	BUSH(118504)	3604A012	BURÇ	2	2	
13	499151121100	OIL SEAL(644149)	3604A013	ÖN AKS KEÇESİ	2	2	
14	499151121200	SPHERICAL BEARING(45159)	3604A014	ÖN AKS YAN RULMAN	2	2	
15	499151121300	BELLEVILLE WASHER(128629)	3604A015	ÖN AKS YAN KONİK PUL ALT	2	2	
16	499151121400	DIFFERENTIAL SUPPORT(128053)	3604A016	ÖN AKS ORTA SAPORT	1	1	
17	499151121500	BOLT M14X75(126022)	3604A017	ÇİVATA M14X75	4	4	
18	499151121600	CENTERING BUSH(72235)	3604A018	MERKEZLEME BURCU	4	4	
19	499123220400	Pin D15x35 (87660)	3304E019	PİM D15X35	2	2	
20	499151121700	PLUG M24X1.5(128050)	3604A020	TAPA M24X1.5	2	2	
21	499151121800	O.RING(28103)	3604A021	O-RING	1	1	
22	499151121900	REAR SUPPORT(406087)	3604A022	ÖN AKS ARKA SAPORT	1	1	
23	499151122000	BOLT(125002)	3604A023	ÇİVATA	1	1	
24	499151122100	BOLT M12X33(125827)	3604A024	ÇİVATA M12X33	10	10	



ÖN AKS PİSTONU VE İLGİLİ PARÇALAR (4WD)

GRUP:- P-

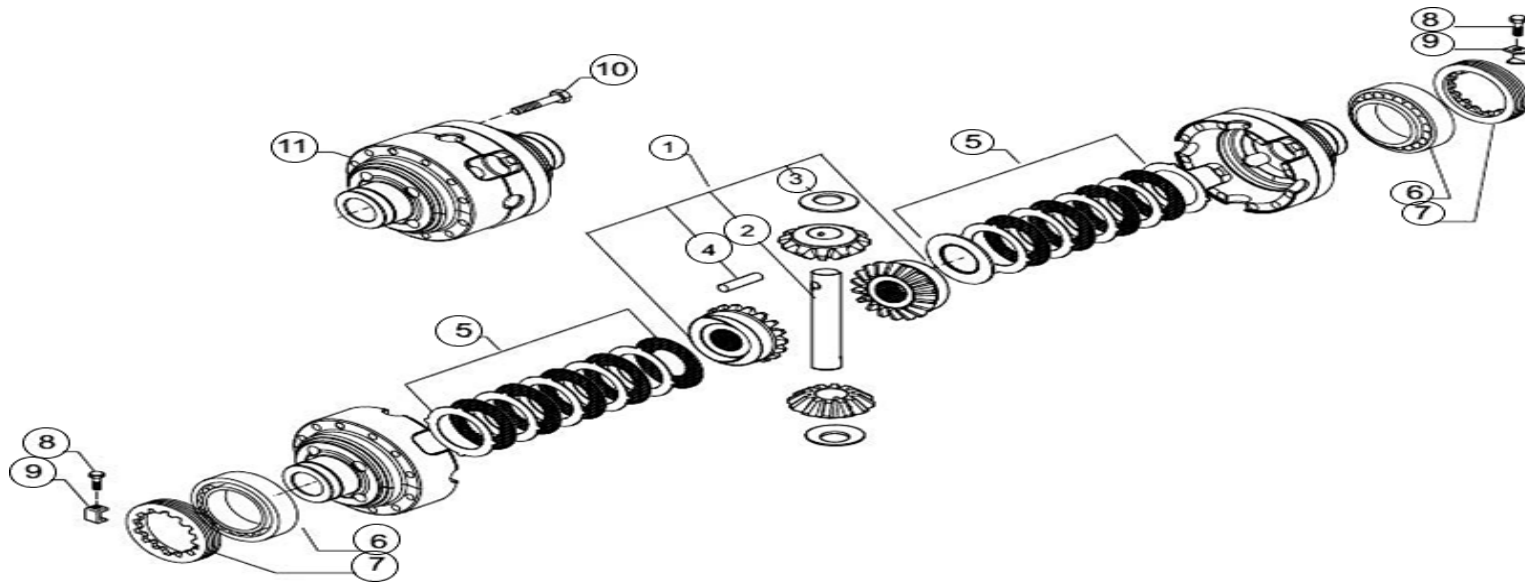
S. No.	PART NO.	PART NAME	PARÇA KODU	PARÇA ADI	ADET		AÇIKLAMA
					6000	7500	
					4WD	4WD	
1	499151120600	GREASER NIPPLE M6X1(24210)	3604A008	GRESÖRLÜK M6X1	4	4	
2	499142128500	BOLT M12X30(126921)	3304F001	CİVATA M12X30	16	16	
3	499151122400	KING PIN(128904)	3304F002	ÖN AKS YAN KOVAN ÜST PİM	2	2	
4	499151122500	PLUG D14.6X9.5(30782)	3604B001	TAPA D14.6X9.5	8	8	
5	499151122600	SWIVEL HOUSING(644233)	3304F003	ÖN AKS KAPAĞI SOL	1	1	
6	499151122700	NUT M18X1.5(022437)	3304F004	SOMUN	2	2	
7	499151122800	KING PIN(128903)	3304F005	ÖN AKS KAPAĞI ALT PİM	2	2	
8	499151122900	STEERING ARM ASSY(124889)	3304F006	ROT KOMPLE	2	2	
9	499151123000	BALL JOINT(49001)	049001	ÖN AKS ROT	2	2	3304F006 (KİT)
10	499151123100	NUT M18X1.5(22183)	3304F008	ÖN AKS ROT SOMUNU	2	2	3304F006 (KİT)
11	499151123200	TIE ROD(48989)	3304F009	ROT BAŞI	2	2	3304F006 (KİT)
12	499151123300	OIL SEAL RING(641735)	3304F019	ÖN AKS YAĞ KEÇESİ 45X60X16/17	2	2	
13	499151123400	BOLT M12X45(128534)	3311A122	ALTİGEN CİVATA M12X45	4	4	
14	499151123500	RH SWIVEL HOUSING(644232)	3304F012	ÖN AKS KAPAĞI SAĞ	1	1	
15	499151123600	NUT M16(22129)	3304F013	SOMUN M16	2	2	
16	499151123700	BOLT M16X100(124748)	3304F014	CİVATA M16X100	2	2	
17	499151123800	BUSH(125390)	3304F020	ÖN AKS YAN KOVAN BÜYÜK BURÇ	2	2	
18	499151123900	STEERING CYLINDER(120226)	3604B002	DİREKSİYON ÖN PİSTONU	1	1	
19	499151124000	ROD(9067)	3604B003	DİREKSİYON ÖN PİSTONU İÇ ROT	1	1	3604B002 (KİT)
20	499151124100	CYLINDER HEAD(49102)	3604B004	DİREKSİYON PİSTON KAFASI SOL	1	1	3604B002 (KİT)
21	499151124200	OIL SEAL KIT(49101)	3604B005	DİREKSİYON PİSTON TAMİR TAKIMI	1	1	3604B002 (KİT)



ÖN AKS AYNA MAHRUTİ VE İLGİLİ PARÇALAR (4WD)

GRUP:- P-

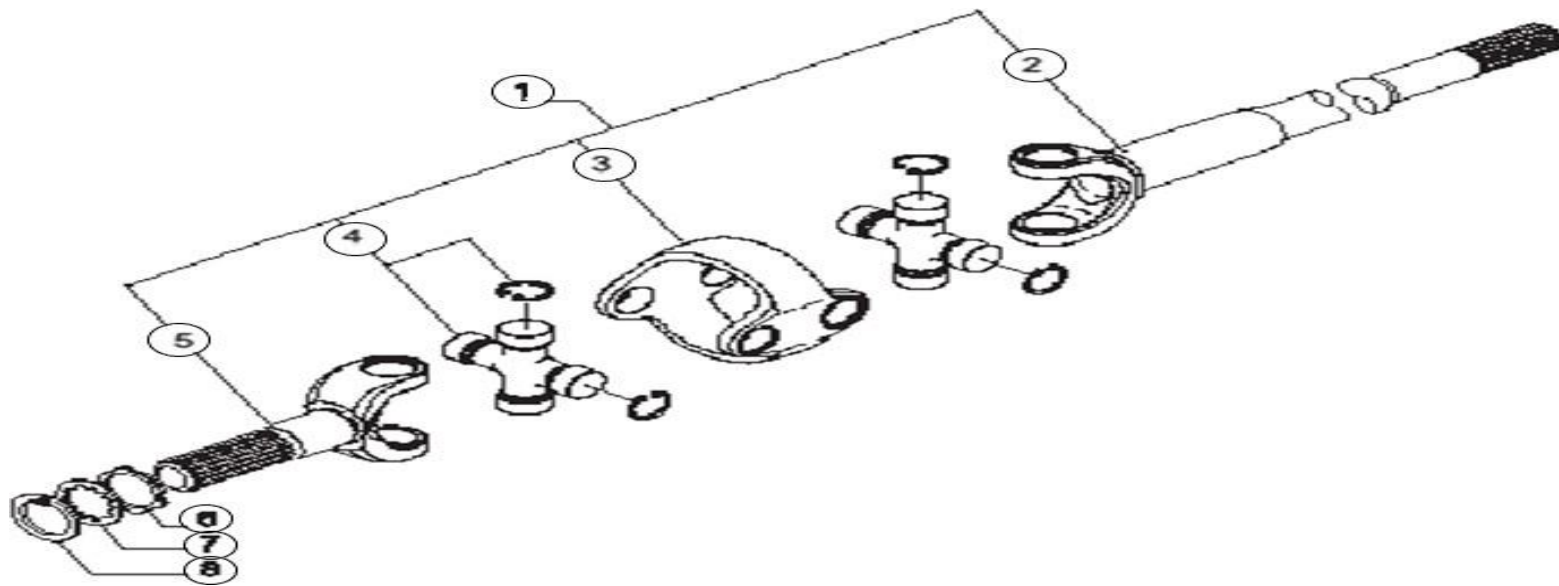
S. No.	PART NO.	PART NAME	PARÇA KODU	PARÇA ADI	ADET		AÇIKLAMA
					6000	7500	
					4WD	4WD	
1	499151124300	BEVEL GEAR SET Z15/32(63139)	3304G001	ÖN AKS AYNA MAHRUTİ SET	1	1	
2	499151124400	LOCK WASHER (118446)	3304G015	MAHRUTİ ARA YARIKLI PUL	1	1	3604C001 (KİT)
3	499151124500	RING NUT M35X1.5(118445)	3304G016	MAHRUTİ SOMUNU M35X1.5	1	1	3604C001 (KİT)
4	499151124600	WASHER(125830)	3304G013	MAHRUTİ PULU	2	2	3604C001 (KİT)
5	499151124700	COLLAPSIBLE SPACER(125805)	3304G014	MAHRUTİ ARA KAPLİN	1	1	3604C001 (KİT)
6	499151124800	SHIM 2.50MM(131521)	3304G002	ŞİM 2.50 MM	-	-	
7	499151124900	SHIM 2.60MM(131522)	3304G003	ŞİM 2.60 MM	-	-	
8	499151125000	SHIM 2.70MM(131523)	3304G004	ŞİM 2.70 MM	-	-	
9	499151125100	SHIM 2.80MM(131524)	3304G005	ŞİM 2.80 MM	-	-	
10	499151125200	SHIM 2.90MM(131525)	3304G006	ŞİM 2.90 MM	-	-	
11	499151125300	SHIM 3.00MM(131526)	3304G007	ŞİM 3.00 MM	-	-	
12	499151125400	SHIM 3.10MM(131527)	3304G008	ŞİM 3.10 MM	-	-	
13	499151125500	SHIM 3.20MM(131528)	3304G009	ŞİM 3.20 MM	-	-	
14	499151125600	SHIM 3.30MM(131529)	3304G010	ŞİM 3.30 MM	-	-	
15	499151125700	SHIM 3.40MM(131530)	3304G011	ŞİM 3.40 MM	-	-	
16	499151125800	BEARING(27349)	3304G012	RULMAN	2	2	
17	499151125900	OIL SEAL RING(407304)	3304G020	ÖN AKS MAHRUTİ KEÇESİ 33X62X14/15	1	1	



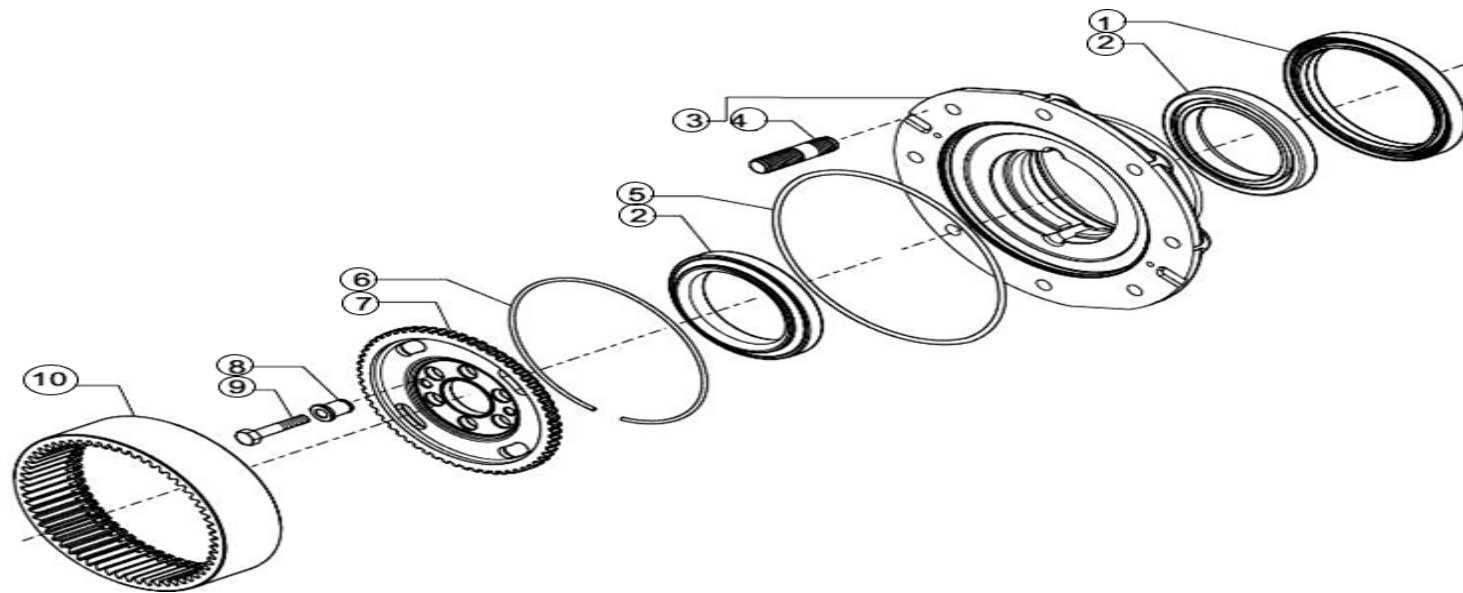
DİFERANSİYEL VE İLGİLİ PARÇALAR (4WD)

GRUP:- P-

S. No.	PART NO.	PART NAME	PARÇA KODU	PARÇA ADI	ADET		AÇIKLAMA
					6000	7500	
					4WD	4WD	
1	499151126000	DIFFERENTIAL KIT(66282)	3604C001	DİFERANSİYEL DİŞLİ SETİ	1	1	3604C001 (KİT)
2	499151126100	SHAFT(113494)	3604C002	DİFERANSİYEL PİMİ	1	1	3604C001 (KİT)
3	499151126200	THRUST WASHER(107771)	3604C003	PUL	2	2	3604C001 (KİT)
4	499151126300	PIN(24409)	3604C004	YARIKLI PİM	1	1	
5	499151126400	CLUTCH PACK(460294)	3604C005	DİŞLİ PLAKALARI	2	2	
6	499151126500	BEARING(27308)	3604C006	RULMAN	2	2	
7	499151126600	RING NUT(125792)	3604C007	MAŞON	2	2	
8	499151126700	BOLT M6X10(128440)	3604C008	CİVATA M6X10	2	2	
9	499151126800	LOCKING PLATE(107778)	3604C009	KİLİTLEME PULU	2	2	
10	499151126900	BOLT M10X75(125552)	3311A111	ALTİGEN CİVATA M10X75	12	12	
11	499151127000	DIFFERENTIAL HOUSING(472686)	3604C010	DİFERANSİYEL DİŞLİ KUTUSU	1	1	



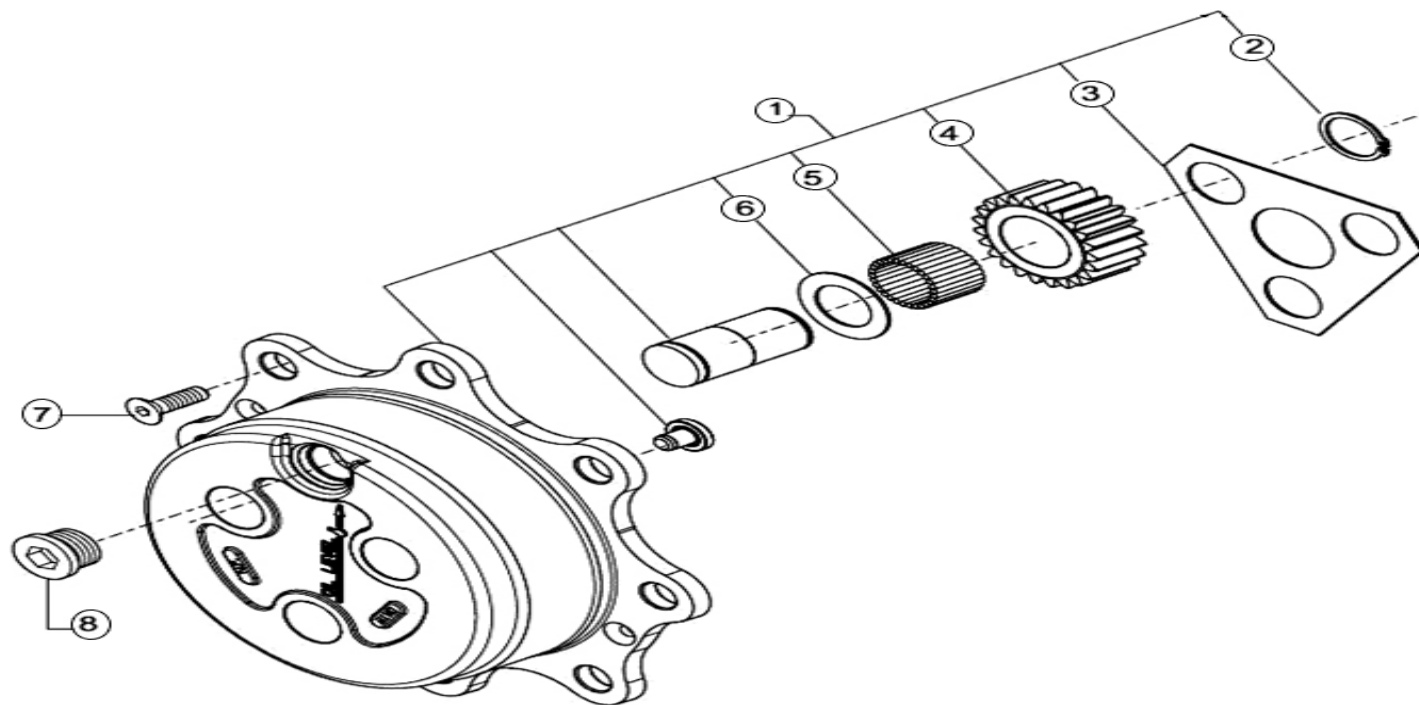
ÇİFT İSTAVROZ MİLİ VE İLGİLİ PARÇALAR (4WD)							GRUP:- P-
S. No.	PART NO.	PART NAME	PARÇA KODU	PARÇA ADI	ADET		AÇIKLAMA
					6000	7500	
					4WD	4WD	
1	499151127100	DOUBLE U-JOINT(146911)	3604D001	ÇİFT İSTAVROZ MİLİ KOMPLE	1	1	
2	499151127200	HALF-SHAFT (DIFF. SIDE)(45386)	3604D002	ÇİFT İSTAVROZ MİLİ ÇATALI	1	1	3604D001 (KİT)
3	499151127300	CENTRAL BODY(46196)	3304I006	ÇİFT İSTAVROZ MİLİ ORTA GÖVDE	1	1	3604D001 (KİT)
4	499151127400	SPIDER(48824)	3604D003	İSTAVROZ	2	2	3604D001 (KİT)
5	499151127500	HALF-SHAFT (WHEEL SIDE) (46254)	3604D004	ÇİFT İSTAVROZ KISA ÇATALLI ŞAFT	1	1	3604D001 (KİT)
6	499151127600	THRUST WASHER(127275)	3304I008	PUL	2	2	
7	499151127700	WASHER(140024)	3304I009	PUL	2	2	
8	499151127700	SNAP RING(24800)	3304I010	SEGMAN	2	2	



ÖN PORYA VE İLGİLİ PARÇALAR (4WD)

GRUP:- P-

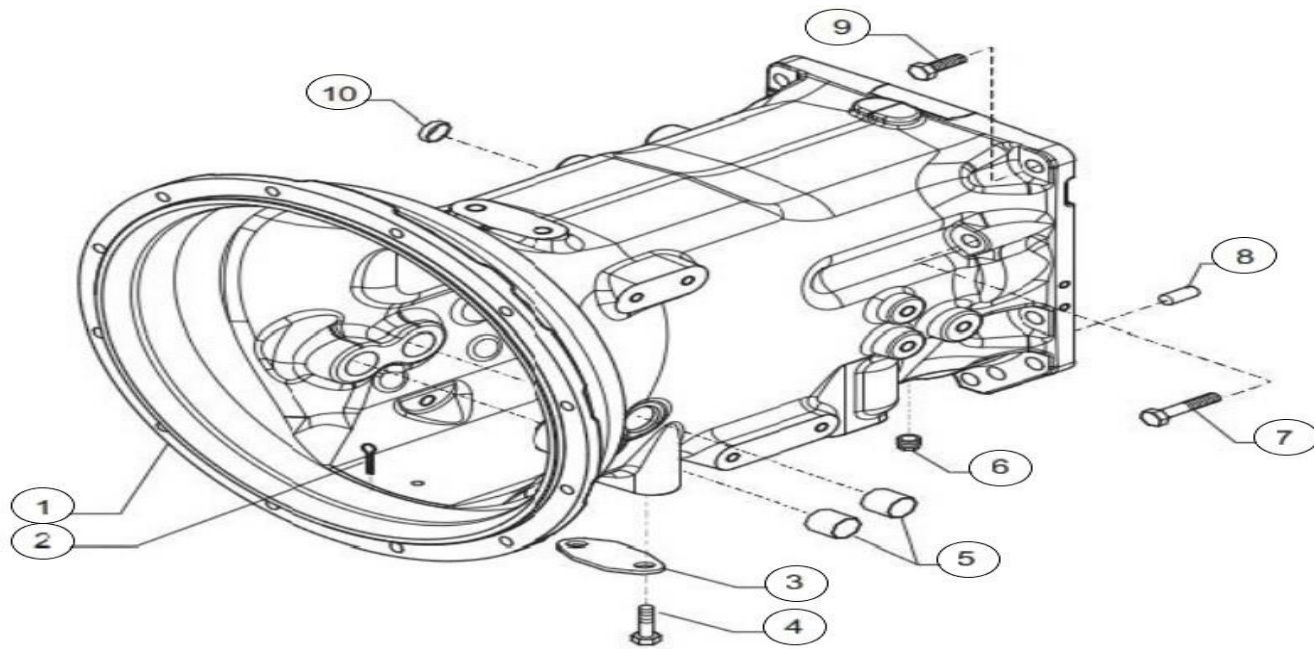
S. No.	PART NO.	PART NAME	PARÇA KODU	PARÇA ADI	ADET		AÇIKLAMA
					6000	7500	
					4WD	4WD	
1	499151127800	SEAL RING(47703)	3304J001	ÖN PORYA KEÇE 130X160X14.5/16	2	2	
2	499151127900	BEARING(45181)	3304J002	RULMAN	4	4	
3	499151128000	WHEEL HUB KIT(68784)	3304J003	ÖN AKS DIŞLİSİ KİTİ	2	2	
4	499151128100	STUD(126710)	3304J004	ÖN AKS SAPLAMA	16	16	3304J003 (KİT)
5	499151128200	O. RING(28668)	3304J005	ÖN AKS PORYA O-RİNG	2	2	
6	499151128300	LOCK RING(125344)	3304J006	ÖN AKS PORYA DIŞLİ YÜZÜĞÜ	2	2	
7	499151128400	WHEEL CARRIER(128653)	3304J007	ÖN AKS PORYA DIŞLİSİ	2	2	
8	499151128500	BUSH(127994)	3304J008	BURÇ	12	12	
9	499151128600	BOLT M10X45(128658)	3304J009	CİVATA M10X45	12	12	
10	499151128700	CROWN GEAR Z=60(125452)	3304J010	DIŞLİ Z=60	2	2	



ÖN CER VE İLGİLİ PARÇALAR (4WD)

GRUP:- P-

S. No.	PART NO.	PART NAME	PARÇA KODU	PARÇA ADI	ADET		AÇIKLAMA
					6000	7500	
					4WD	4WD	
1	499151128800	PLANETARY CARRIER ASSY(142657)	3604E001	ÖN CER KİTİ	2	2	
2	499151128900	SNAP RING D34(024789)	3304K008	ÖN AKS DİŞLİ SEGMANI	6	6	3604E001 (KİT)
3	499151129000	THRUST WASHER(123318)	3304K007	PUL	2	2	3604E001 (KİT)
4	499151129100	GEAR Z=23(125455)	3304K006	DİŞLİ Z=23	6	6	3604E001 (KİT)
5	499151129200	BEARING NEEDLES (BY TENS)(028299)	3304K005	MASURA BİLYA ONLU	18	18	3604E001 (KİT)
6	499151129300	THRUST WASHER(115634)	3304K004	PUL	6	6	3604E001 (KİT)
7	499151129400	BOLT M8X20(020490)	3304K001	ALTİGEN CİVATA M8X20	4	4	
8	499151129500	PLUG M30X2(125280)	3304K002	TAPA	2	2	

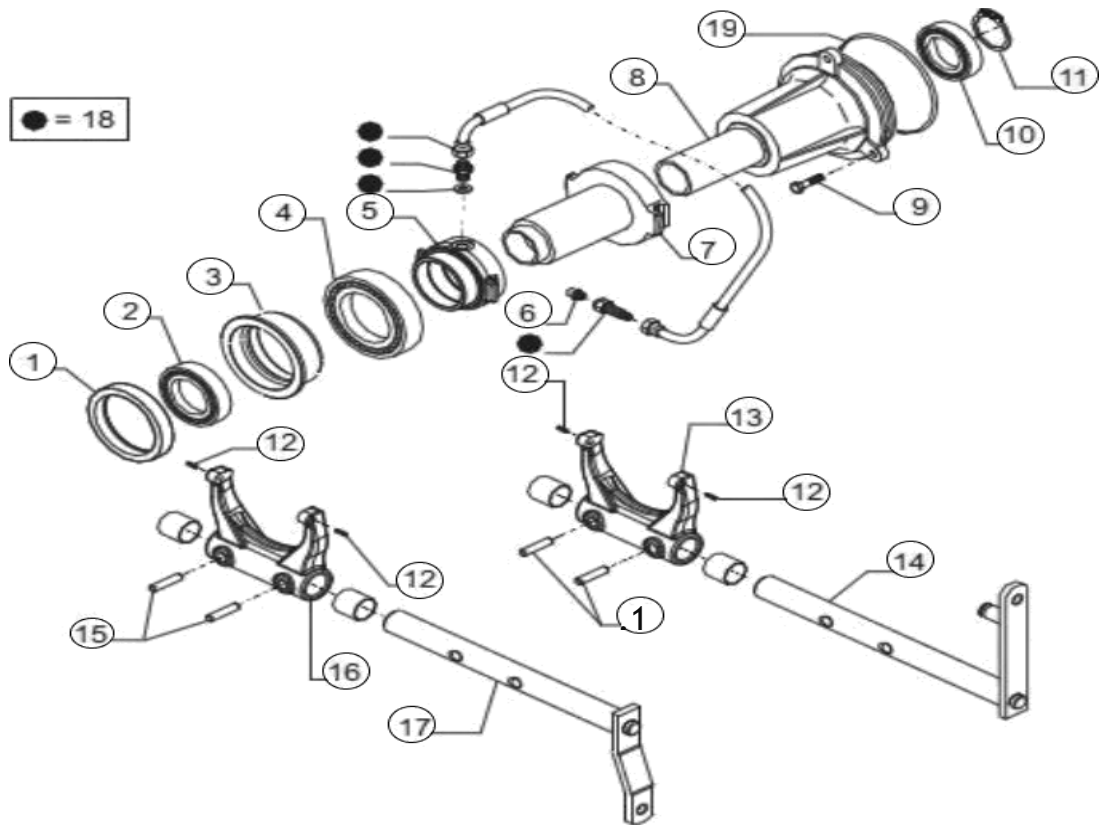


DEBRİYAJ KOVANI VE İLGİLİ PARÇALAR

GRUP:- P-

S. No.	PART NO.	PART NAME	PARÇA KODU	PARÇA ADI	ADET		AÇIKLAMA
					6000	7500	
					4WD	4WD	
1	499123219900	Clutch housing (644473)	3603A001	DEBRİYAJ KOVANI	1	1	
2	499123220000	Cotter pin (25580)	3603A002	YARIKLI PİM	1	1	
3	499123220100	Cover plate (144160)	3603A003	KOVAN ALT KAPAK	1	1	
4	499142123600	Bolt M8x20 (127920)	3305M012	KİLİTLEME CİVATASI M8X20	2	2	
5	499123220200	Bush (134958)	3603A004	BURÇ	4	4	
6	499123220300	Plug (401421)	3603A005	TAPA	1	1	
7	499142123700	Bolt M14x100 (125064)	3305G005	CİVATA M14X100	1	1	
8	499123220400	Pin D15x35 (87660)	3304E019	PİM D15X35	1	1	
9	499142123800	Bolt M14x40 (127925)	3311A036	ALTİGEN CİVATA M14X40	9	9	
10	499123220500	Plug (138341)	3303F002	ŞANZİMAN BLOK TAPASI D20.35	8	8	

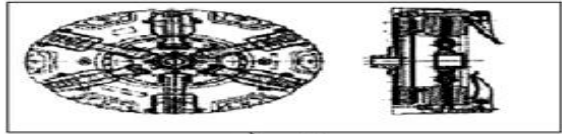
● = 18



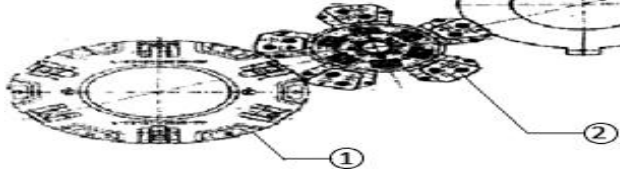
DEBRİYAJ KONTROL VE İLGİLİ PARÇALARI

GRUP:- P-

S. No.	PART NO.	PART NAME	PARÇA KODU	PARÇA ADI	ADET		AÇIKLAMA
					6000	7500	
					4WD	4WD	
1	499123220600	DISC PUSHER (404894)	3603A006	DİSK	1	1	
2	499142123900	BEARING (26007)	3603A007	RULMAN	1	1	
3	499123220700	SLEEVE (380510)	3603A008	MAŞON	1	1	
4	499142124000	BEARING (27659)	3603A009	RULMAN	1	1	
5	499123220800	SLEEVE (398811)	3603A010	MAŞON	1	1	
6	499142124100	GREASER NIPPLE ((245576)	3603A011	GRESÖRLÜK	1	1	
7	499123220900	SLEEVE (572299)	3603A012	MAŞON	1	1	
8	499123221000	SUPPORT (135032)	3603A013	SAPORT	1	1	
9	499135220600	BOLT M8X25 (135039)	3311A029	ALTİGEN CİVATA M8X25 SARI 8.8	3	3	
10	499142124200	BEARING (26006)	3603A015	RULMAN	1	1	
11	499123221100	SNAP RING D50 (24795)	3603A016	SEGMAN 50	1	1	
12	499142124300	SPLIT PIN 5X14 (24378)	3603A017	YARIKLI PİM 5X14	1	1	
13	499123221200	CLUTCH CONTROL FORK (571983)	3603A018	DEBRİYAJ KONTROL ÇATALI	1	1	
14	499123221300	LEVER (150307)	3603A019	KOL	1	1	
15	499142124400	PIN 10X45 (24453)	3603A020	PİM 10X45	4	4	
16	499123221400	CLUTCH CONTROL FORK (571984)	3603A021	DEBRİYAJ KONTROL ÇATALI	1	1	
17	499123221500	LEVER (149075)	3603A022	KOL	1	1	
18	499123221600	LUBRICATION PIPE KIT (149262)	3603A023	YAĞLAMA KİTİ	1	1	
19	499123221700	O.RING (28499)	3603A024	O-RING	1	1	

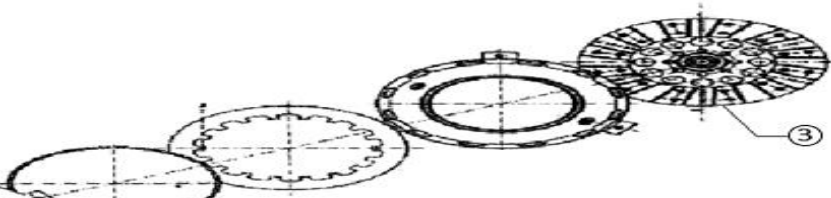


①



①

②

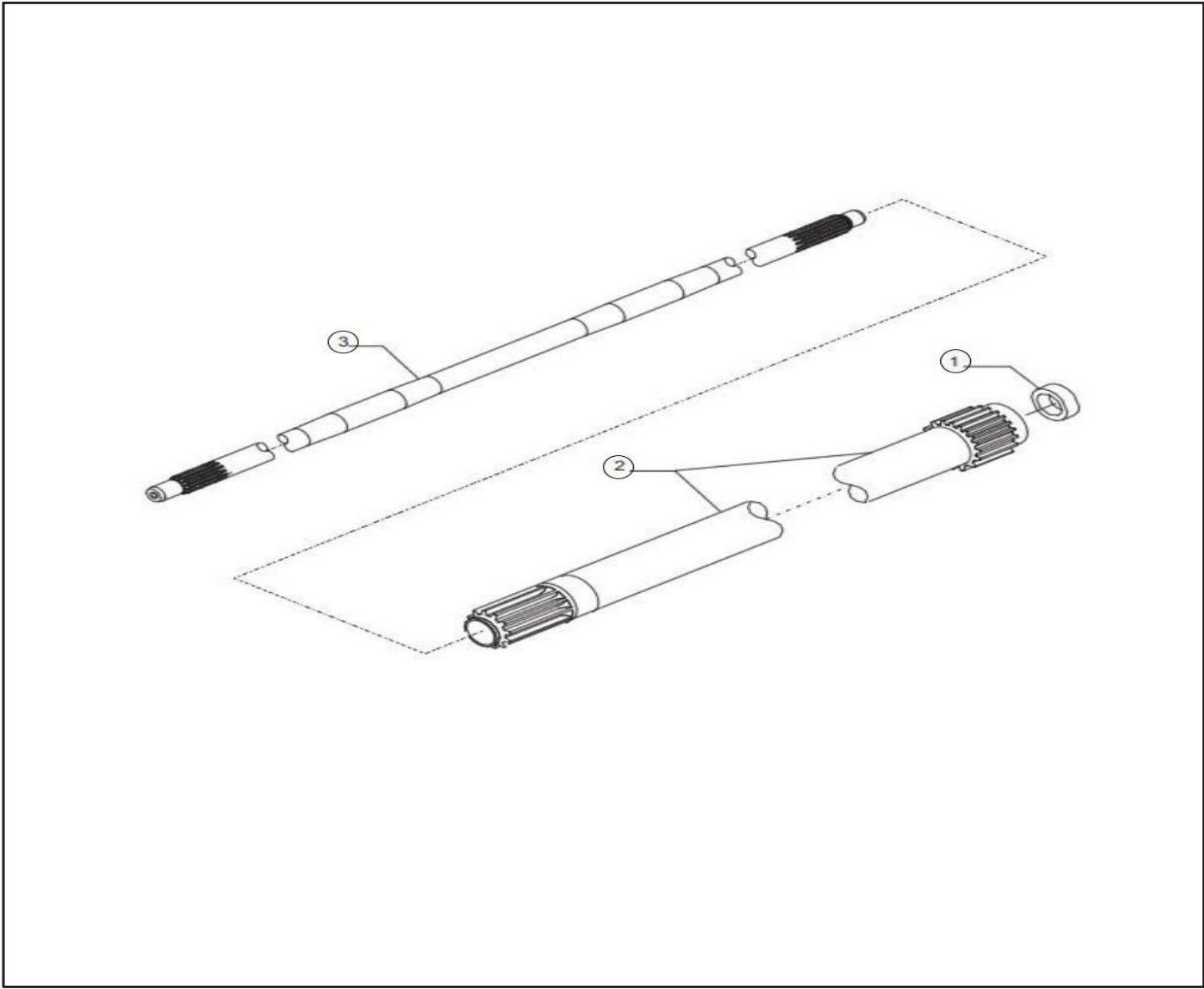


③

DEBRİYAJ BASKI VE İLGİLİ PARÇALAR

GRUP:- P-

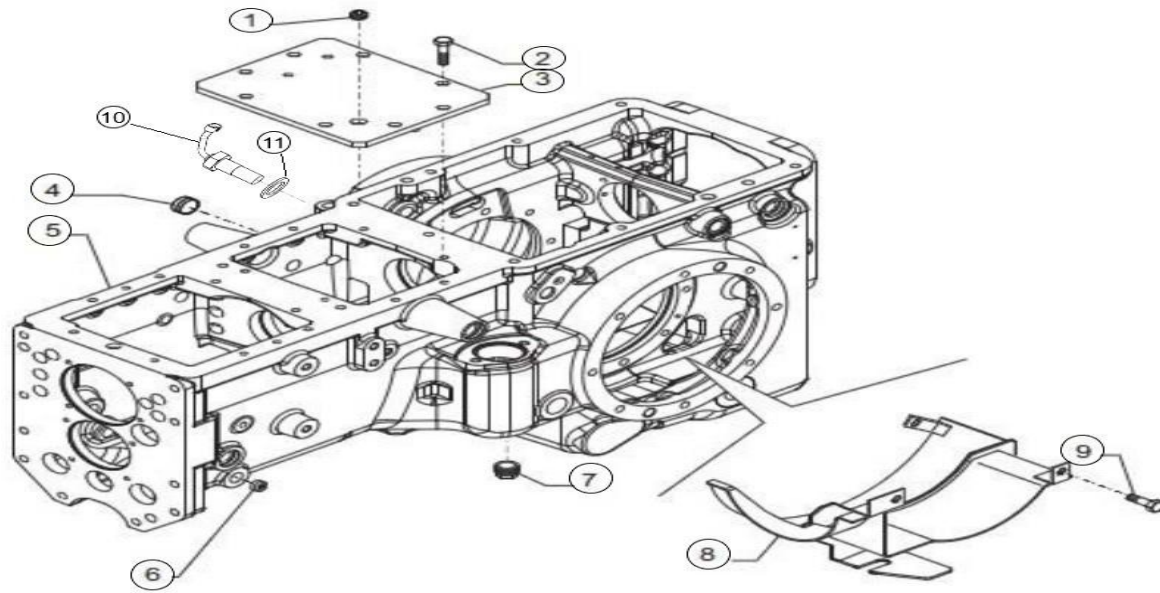
S. No.	PART NO.	PART NAME	PARÇA KODU	PARÇA ADI	ADET		AÇIKLAMA
					6000	7500	
					4WD	4WD	
1	480021400200	DOUBLE CLUTCH ASSEMBLY 75 HP	3603A025	BASKI SETİ	1	1	499197119900
2	480021400800	DRIVEN PLATE ASSEMBLY 75 HP	3603A026	DEBRİYAJ BALATASI	1	1	
3	480021400900	DRIVEN PLATE ASSEMBLY(PTO) 75 HP	3603A027	PTO BALATASI	1	1	



DEBRİYAJ MİLİ VE İLGİLİ PARÇALAR

GRUP:- P-

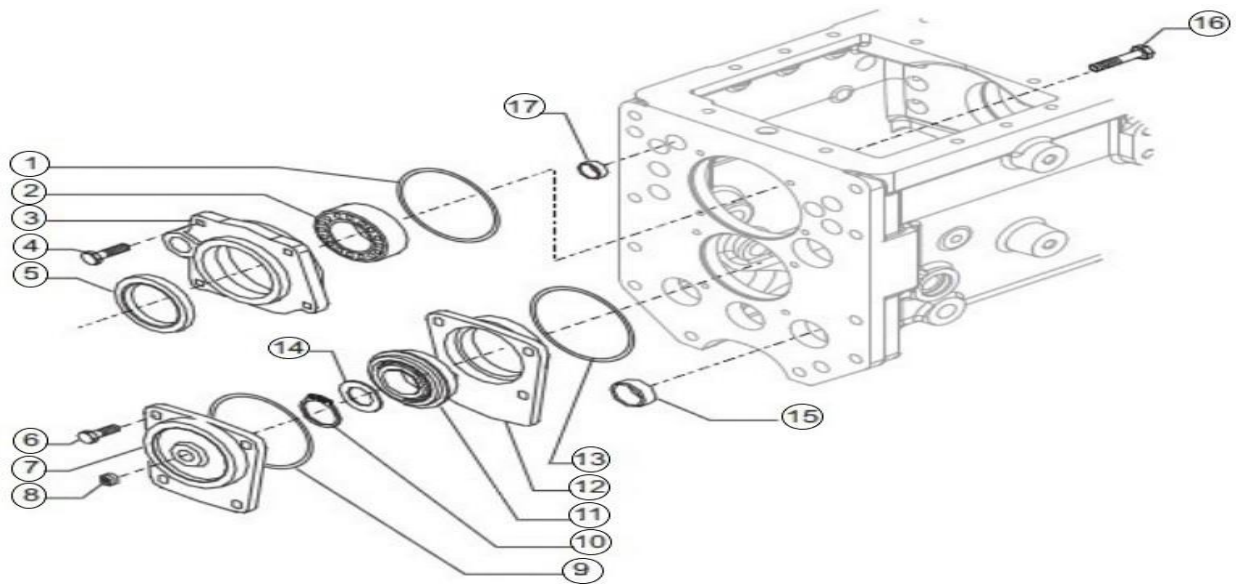
S. No.	PART NO.	PART NAME	PARÇA KODU	PARÇA ADI	ADET		AÇIKLAMA
					6000	7500	
					4WD	4WD	
1	499123221800	SEAL RING (25544)	3303D001	PRİZDİREK KEÇESİ 24X35X7 PSPD5060045	1	1	
2	499123221900	INPUT SHAFT (147584)	3603A028	DEBRİYAJ ŞANZİMAN MİLİ	1	1	
3	499123222000	PTO SHAFT (644639)	3603A029	KUYRUK MİLİ PRİZDİREK	1	1	



ŞANZİMAN GÖVDESİ VE İLGİLİ PARÇALAR

GRUP:- P-

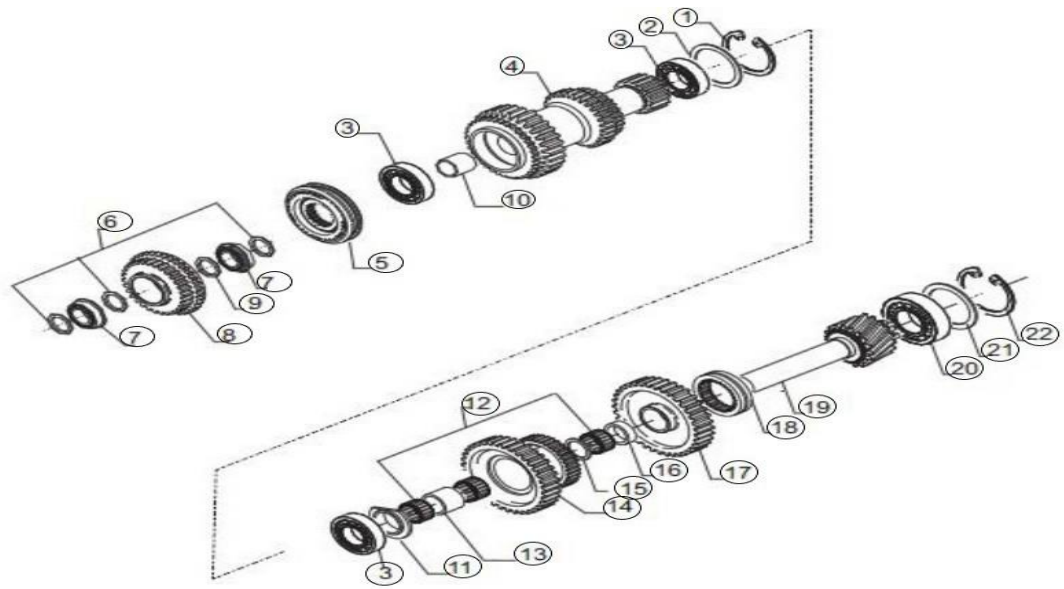
S. No.	PART NO.	PART NAME	PARÇA KODU	PARÇA ADI	ADET		AÇIKLAMA
					6000	7500	
					4WD	4WD	
0		TRANSMISSION ASSY	3603000	ŞANZİMAN KOMPLE (T)	1	1	
1	499135237600	PLUG M20x1.53 (21576)	3603B002	TAPA M20X1.53	1	1	
2	499142124500	BOLT M10x25 (127922)	3303G006	ALTİGEN CİVATA M10X25	8	8	
3	499135219900	UPPER COVER (149922)	3603B003	ŞANZİMAN KOVANI ÜST KAPAK	1	1	
4	499142124600	PLUG M22x1.5 (21565)	3603B004	TAPA M22X1.5	1	1	
5	499135220000	TRANSMISSION HOUSING (413999)	3603B001	ŞANZİMAN KOVANI	1	1	BOŞ
6	499135220100	PLUG (21562)	3603B005	TAPA	4	4	
7	499135220200	PLUG M22x1.5 (401316)	3603B006	TAPA M22X1.5	1	1	
8	499135220300	PROTECTING SHIELD (642363)	3603B007	YAN KOVAN KORUMA KAPAĞI	1	1	
9	499142124700	BOLT M8x16 (20776)	3311A058	ALTİGEN CİVATA M8X16	3	3	
10	487685100200	SPEED SENSOR (CA555563)	3603B008	HIZ SENSÖRÜ (ŞANZİMAN)	1	1	
11	48762310020	WASHER (CA472035)	3603B009	PUL	1	1	



ŞANZIMAN GÖVDESİ KAPAĞI VE İLGİLİ PARÇALAR

GRUP:- P-

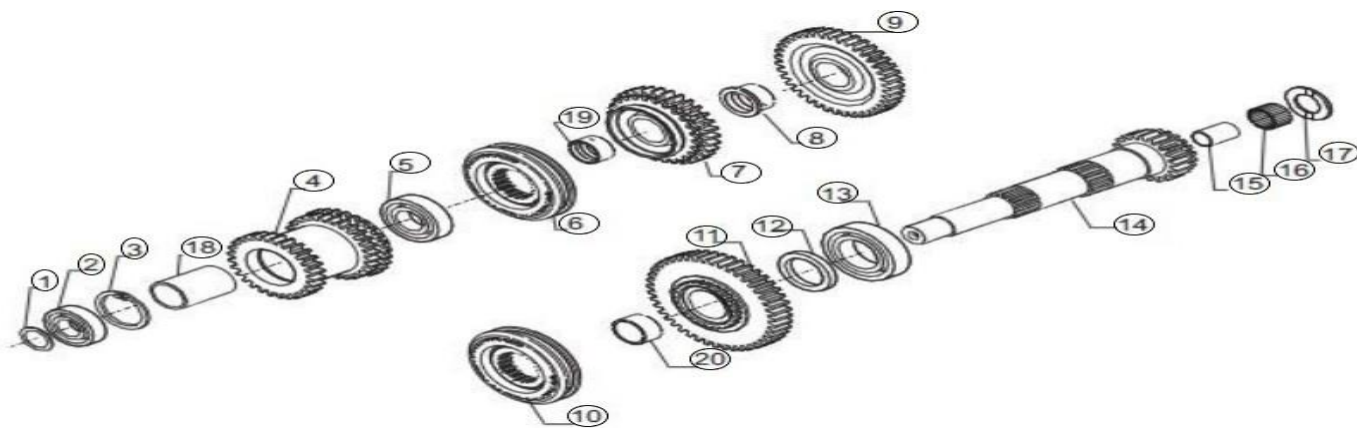
S. No.	PART NO.	PART NAME	PARÇA KODU	PARÇA ADI	ADET		AÇIKLAMA
					6000	7500	
					4WD	4WD	
1	499135220400	O' RING (28544)	3603B010	O-RING	1	1	
2	499142124800	BEARING (429424)	3303M005	PTO RULMAN 6308 ZNR	1	1	
3	499135220500	COVER (134930)	3603B012	ŞANZIMAN ÖN ÜST KAPAK	1	1	
4	499135220600	BOLT M8X25 (135039)	3311A029	ALTIGEN CİVATA M8X25 SARI 8.8	4	4	
5	4991352206010	SEAL RING (135039)	3603B013	O-RING	1	1	
6	901500812060	HEX SCREW (M8X30)	3311A033	ALTIGEN CİVATA M8X30	4	4	
7	499135220700	COVER (144159)	3603B014	ŞANZIMAN KOVANI ÖN KAPAK	1	1	
8	499135220800	PLUG M12x1.5 (21564)	3303F009	ŞANZIMAN KOVANI ÖN KAPAK TAPASI	1	1	
9	499135220900	O' RING (28107)	3603B015	O-RING	1	1	
10	499135221000	SNAP RING D-30 (25024)	3603B016	SEGMAN 30	1	1	
11	499142124900	BEARING (26187)	3603B017	RULMAN	1	1	
12	499135221100	COVER (144158)	3603B018	ŞANZIMAN KOVANI ÖN KAPAK YATAĞI	1	1	
13	499135221200	O' RING (282112)	3603B019	O-RING	1	1	
14	499135221300	SHIM 0.5 MM (134544)	3603B020	ŞİM 0.5 MM	-	-	
15	499135221400	SHIM 0.2 MM (133345)	3603B021	ŞİM 0.2 MM	-	-	
16	499135221500	SHIM 0.15 MM (133747)	3603B022	ŞİM 0.15 MM	-	-	
17	499135221600	SHIM 0.1 MM (133344)	3603B023	ŞİM 0.1 MM	-	-	
18	499135221700	PLUG D38x10 (122187)	3303F003	TAPA D38X10	3	3	
19	499142125000	BOLT M12x55 (142215)	3311A046	ALTIGEN CİVATA M12X55	2	2	
20	499135221800	Plug M20.35x6 (138341)	3303F002	ŞANZIMAN BLOK TAPASI D20.35	7	7	



ANA GRUP MİLİ VE İLGİLİ PARÇALAR

GRUP:- P-

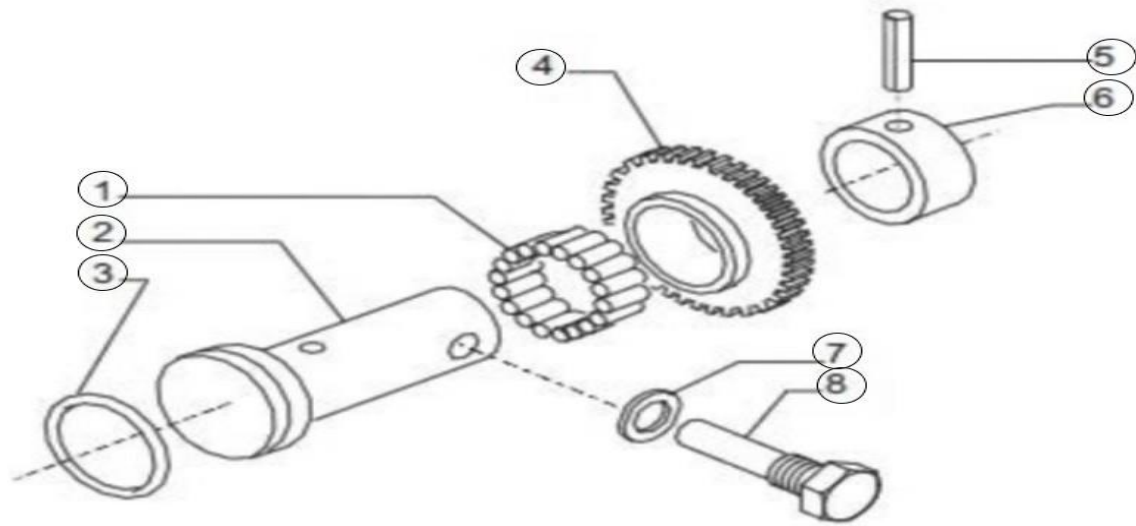
S. No.	PART NO.	PART NAME	PARÇA KODU	PARÇA ADI	ADET		AÇIKLAMA
					6000	7500	
					4WD	4WD	
1	499135221800	SNAP RING (24921)	3303M001	ANA GRUP MİLİ SEGMANI	1	1	
2	499135221900	SHIM 0.05MM (102302)	3303M002	ŞİM 0,05 MM	-	-	
	499135222000	SHIM 0.1 MM (97198)	3303M003	ŞİM 0.1MM	-	-	
	499135222100	SHIM 0.3MM (135039)	3303M004	ŞİM 0.3MM	-	-	
3	499142124800	BEARING (429424)	3303M005	PTO RULMAN 6308 ZNR	3	3	
4	499135222200	PRIMARY SHAFT (148179)	3603C009	ANA GRUP MİLİ 216/21/26/31	1	1	
5	499135222300	SYNCHRONIZER KIT (414382)	3603C010	SENKROMEÇ KİTİ	1	1	
6	499135222400	SHIM 0.5MM (133360)	3303M012	ŞİM 0.5MM	3	3	
7	499135222500	BEARING (25750)	3303M013	RULMAN	1	1	
8	499135222600	GEAR Z-34 (141167)	3603C001		1	1	
9	499135222700	SHIM 0.1 MM (132814)	3303M016	ŞİM 0.1 MM	-	-	
10	499135222800	SHIM 0.3MM (132815)	3303M015	ŞİM 0.3MM	-	-	
11	499135222900	BUSH (122179)	3303M017	ANA GRUP MİLİ BURCU	1	1	
12	499135223000	WASHER (122143)	3305C001	PUL	1	1	
13	499135223100	NEEDLE BEARING KIT (374137)	3305C002	İĞNELİ RULMAN	1	1	
14	499135223200	SPACER (122176)	3305C003	PTO DİŞLİ BURCU	1	1	
15	499135223300	GEAR Z-52/33 (144290)	3603C002		1	1	
16	499135223400	SPACER (122141)	3603C003		1	1	
17	499135223500	SPACER (122142)	3603C004		1	1	
18	499135223600	GEAR Z-44 (144292)	3603C005		1	1	
19	499135223700	SLEEVE (117413)	3603C006		1	1	
20	499135223800	GEAR Z-26 (140014)	3603C007		1	1	
21	499142125200	BEARING (25811)	3603C008		1	1	
22	499135223900	SHIM 0.1MM (98817)	3305A008	ŞİM 0.1MM	1	1	
23	499135224000	SHIM 0.3MM (98818)	3305A009	ŞİM 0.3MM	1	1	
24	499135224100	SHIM 0.5MM (98819)	3305A010	ŞİM 0.5MM	1	1	
25	499135224200	SNAP RING D-90 (24935)	3305C011	PTO DİŞLİ KAPLINİ BURCU SEGMANI	1	1	



ALT GRUP MİLİ (SEKONDER MİL) VE İLGİLİ PARÇALAR

GRUP:- P-

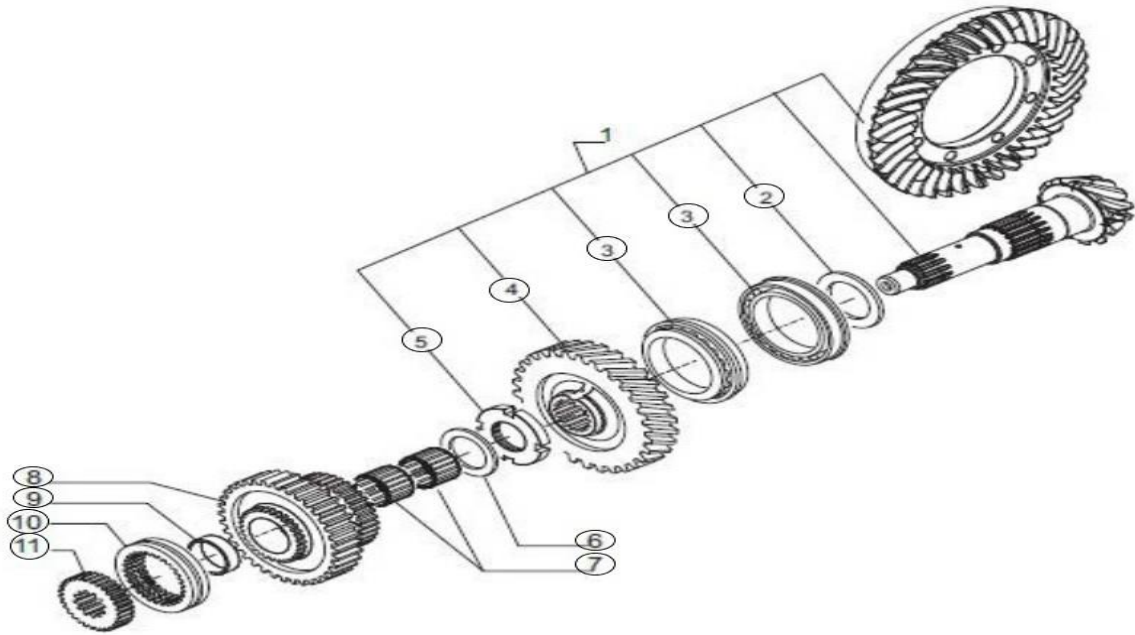
S. No.	PART NO.	PART NAME	PARÇA KODU	PARÇA ADI	ADET		AÇIKLAMA
					6000	7500	
					4WD	4WD	
1	499135224300	SHIM (133344)	3603D001		1	1	
2	499142125300	BEARING (25807)	3603D002		1	1	
3	499142125400	SNAP RING (24903)	3603D003		1	1	
4	499135224400	GEAR Z-36/36 (141169)	3603D004		1	1	
5	499142125500	BEARING (25808)	3603D005		1	1	
6	499135224500	SYNCHRONIZER KIT (414384)	3603D006		1	1	
7	499135224600	GEAR Z-43 (144267)	3603D007		1	1	
8	499135224700	BUSHING (572083)	3603D008		1	1	
9	499135224800	GEAR Z-49 (429726)	3603D009		1	1	
10	499135224900	SYNCHRONIZER KIT (414383)	3603D010		1	1	
11	499135225000	GEAR Z-55 (429725)	3603D011		1	1	
12	499135225100	SPACER (117465)	3603D012		1	1	
13	499142125600	BEARING (27530)	3603D013		1	1	
14	499135225200	SECONDARY SHAFT (572130)	3603D014		1	1	
15	499135225300	BUSH (389314)	3603D015		1	1	
16	499142125700	BEARIBG NEEDLESS(BY TENS) (28298)	3603D016		1,9	1,9	
17	499135225400	THRUST WASHER (122969)	3603D017		1	1	
18	499135225500	SPACER (144262)	3603D018		1	1	
19	499135225600	BUSHING (572082)	3603D019		1	1	
20	499135225700	BUSHING (144264)	3603D020		1	1	



GERİ VİTES DİŞLİSİ

GRUP:- P-

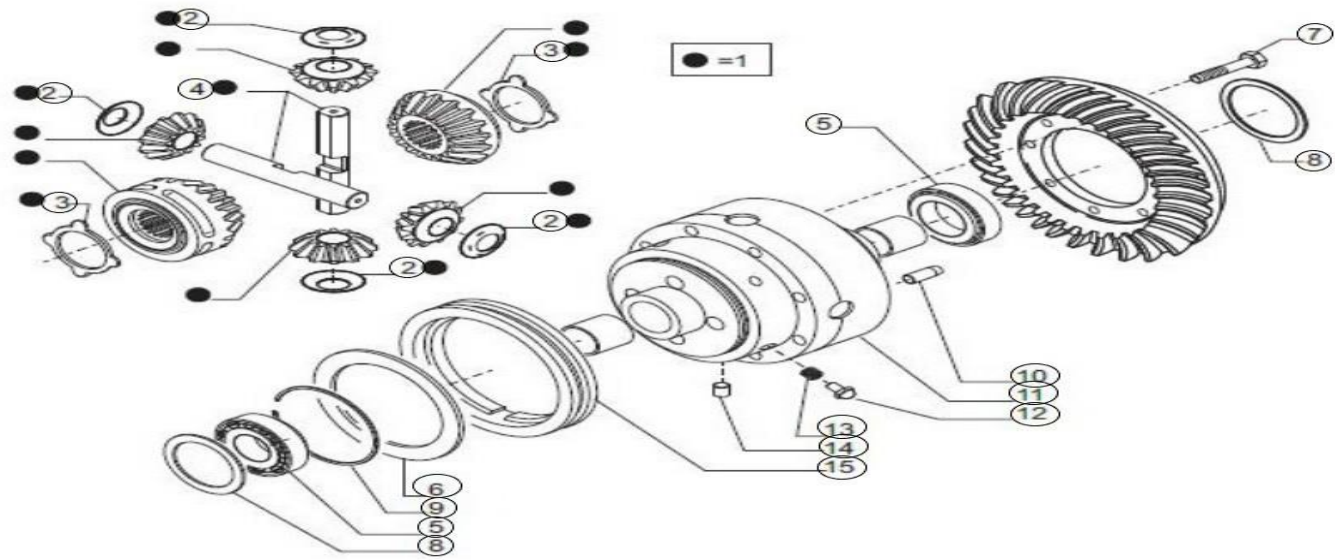
S. No.	PART NO.	PART NAME	PARÇA KODU	PARÇA ADI	ADET		AÇIKLAMA
					6000	7500	
					4WD	4WD	
1	499135225800	BEARING NEEDLES (28053)	3303O001	İĞNELİ RULMAN	1	1	
2	499135225900	SHAFT (117407)	3303O002	GERİ DİŞLİSİ MİLİ	1	1	
3	499135226000	O' RING (28532)	3303O003	O-RING	1	1	
4	499135226100	GEAR Z-27 (399948)	3603D021	DİŞLİ Z=27	1	1	
5	499135226200	SPLIT PIN(6x36) (24408)	3303O005	PİM	1	1	
6	499135226300	BUSH (399947)	3603D022	BURÇ	1	1	
7	499135226400	WASHER (23262)	3303O007	GER VİTES DİŞLİ MİLİ PULU	1	1	
8	499142125800	SCREW M12x47 (117409)	3303O008	CİVATA M12X47	1	1	



AYNA MAHRUTİ VE İLGİLİ PARÇALAR

GRUP:- P-

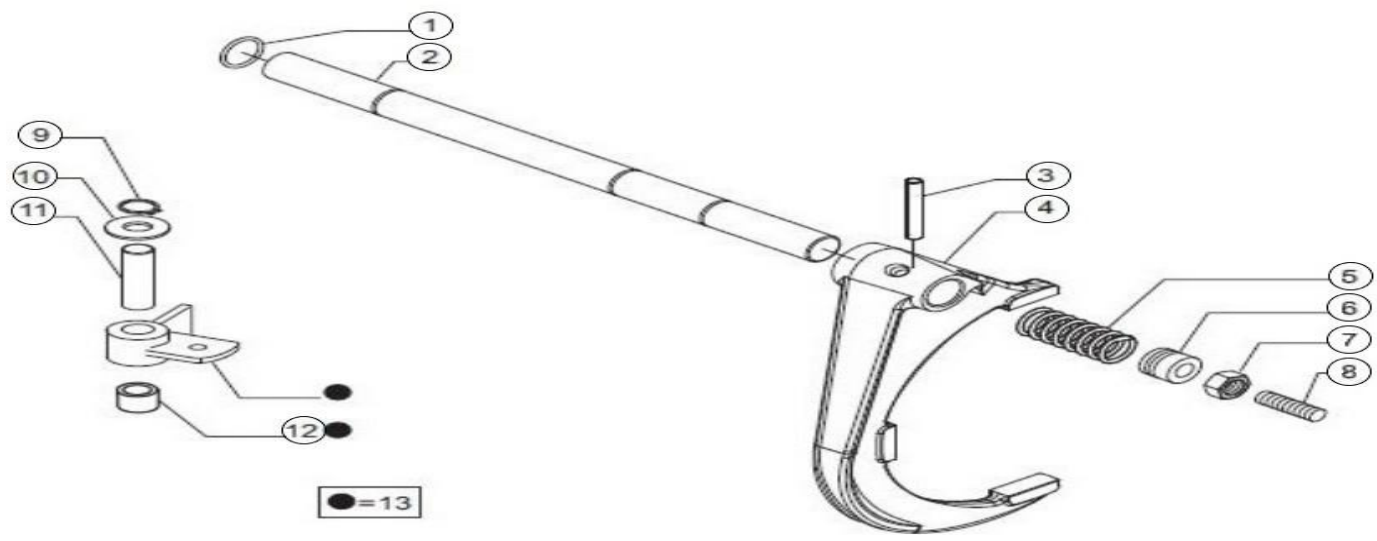
S. No.	PART NO.	PART NAME	PARÇA KODU	PARÇA ADI	ADET		AÇIKLAMA
					6000	7500	
					4WD	4WD	
1	499135226500	BEVEL GEAR SET Z-12/41 (64436)	3603E001	AYNA MAHRUTİ SET	1	1	
2	499135226600	SHIM KIT (FROM 2.5 TO 3.5 MM) (68289)	3603E002	ŞİM KİTİ	1	1	KİT 3603E001
3	499142125900	BEARING (143982)	3603E006	RULMAN	2	2	KİT 3603E001
4	499135226700	GEAR Z-52 (140013)	3603E004	DİŞLİ Z=52	1	1	KİT 3603E001
5	499135226800	RING NUT M45x1.5 (120934)	3303P015	SOMUN M45X1.5 (120934)	1	1	KİT 3603E001
6	499135226900	THRUST WASHER (121395)	3303P016	AYNA MAHRUTİ DİŞLİSİ PULU	1	1	
7	499135227000	BEARING NEEDLES (386338)	3303P017	İĞNELİ RULMAN	1	1	
8	499135227100	GEAR Z-46/35 (386338)	3603E005	DİŞLİ Z46/35	1	1	
9	499142130000	SPACER (117462)	3303P019	BURÇ	1	1	
10	499135227200	COLLOR (116597)	3603E007	AYNA MAHRUTİ DİŞLİ KAPLİNİ	1	1	
11	499135227300	CENTRAL CLUTCH (117415)	3603E008	AYNA MAHRUTİ DİŞLİSİ	1	1	



ARKA DİFERANSİYEL VE İLGİLİ PARÇALAR

GRUP:- P-

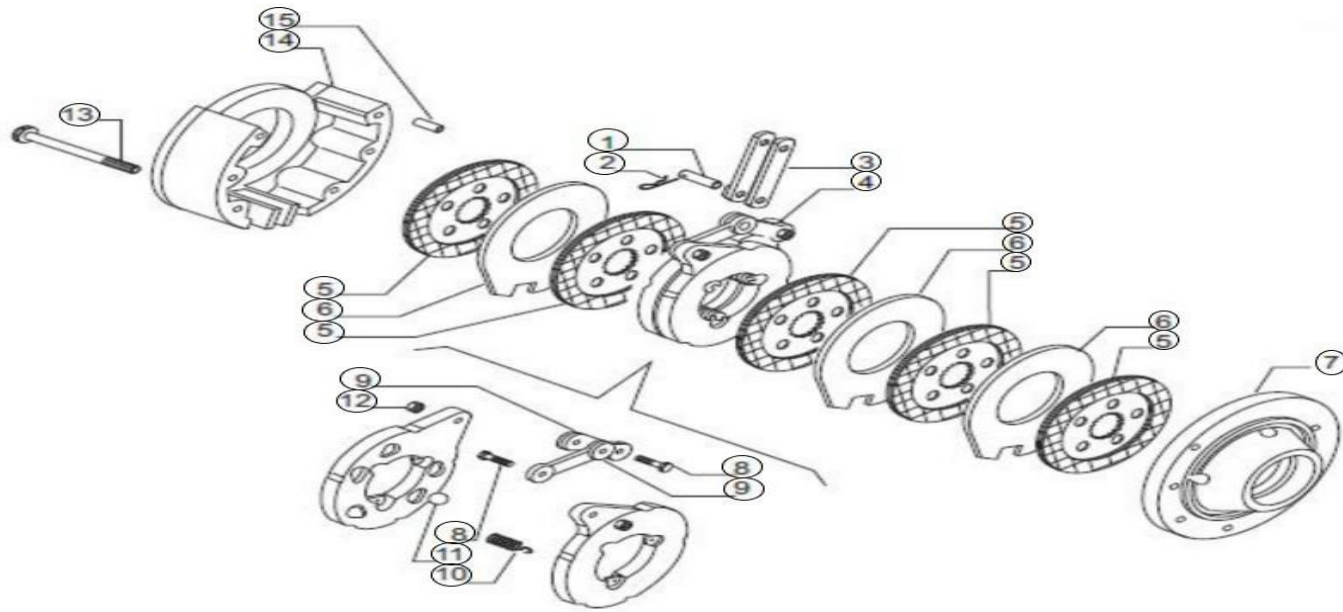
S. No.	PART NO.	PART NAME	PARÇA KODU	PARÇA ADI	ADET		AÇIKLAMA
					6000	7500	
					4WD	4WD	
1	499135227400	DIFFERENTIAL KIT (66739)	3603F001	ARKA AKS İSTAVROZ DİŞLİ SETİ	1	1	
2	499135227500	THRUST WASHER (139930)	3305A002	İSTAVROZ MİLİ PULU	4	4	KİT 3603F001
3	499135227600	THRUST WASHER (139566)	3305A003	İSTAVROZ MİLİ PULU	2	2	KİT 3603F001
4	499135227700	SHAFT (149704)	3305A004	İSTAVROZ MİLİ	2	2	KİT 3603F001
5	499142126000	BEARING (27256)	3305A005	RULMAN	2	2	
6	499135227800	LOCKING FLANGE (123162)	3305A006	KİLİTLEME FLANŞI	1	1	
7	499142126100	BOLT M12x80 (139947)	3603F002	CİVATA M12X80	8	8	
8	499135227900	SHIM 0.1 MM (98817)	3305A008	ŞİM 0.1MM	-	-	
9	499135228000	SHIM 0.3 MM (98818)	3305A009	ŞİM 0.3MM	-	-	
10	499135228100	SHIM 0.5 MM (98819)	3305A010	ŞİM 0.5MM	-	-	
11	499135228200	SHIM 0.05 MM (123850)	3305A011	ŞİM 0.05MM	-	-	
12	499135228300	SNAP RING (25079)	3305A012	ARKA AKS DİŞLİ SEGMANI	1	1	
13	499135228400	PIN Ø12x30 (70783)	3305A013	TESPİT PİMİ	1	1	
14	499135228500	DIFFERENTIAL BOX (139933)	3305A014	ARKA DİFERANSİYEL KUTUSU	1	1	
15	499135228600	PIN (116896)	3305A015	PİM	4	4	
16	499135228700	SPRING (116898)	3305A016	YAY 116898	4	4	
17	499135228800	ROLLER (117124)	3305A017	İSTAVROZ KUTUSU ALT TAPA	1	1	
18	499135228900	SLEEVE (122673)	3305A018	DİFERANSİYEL KUTUSU ARA MAŞON	1	1	



DİFERANSİYEL KİLİDİ VE İLGİLİ PARÇALAR

GRUP:- P-

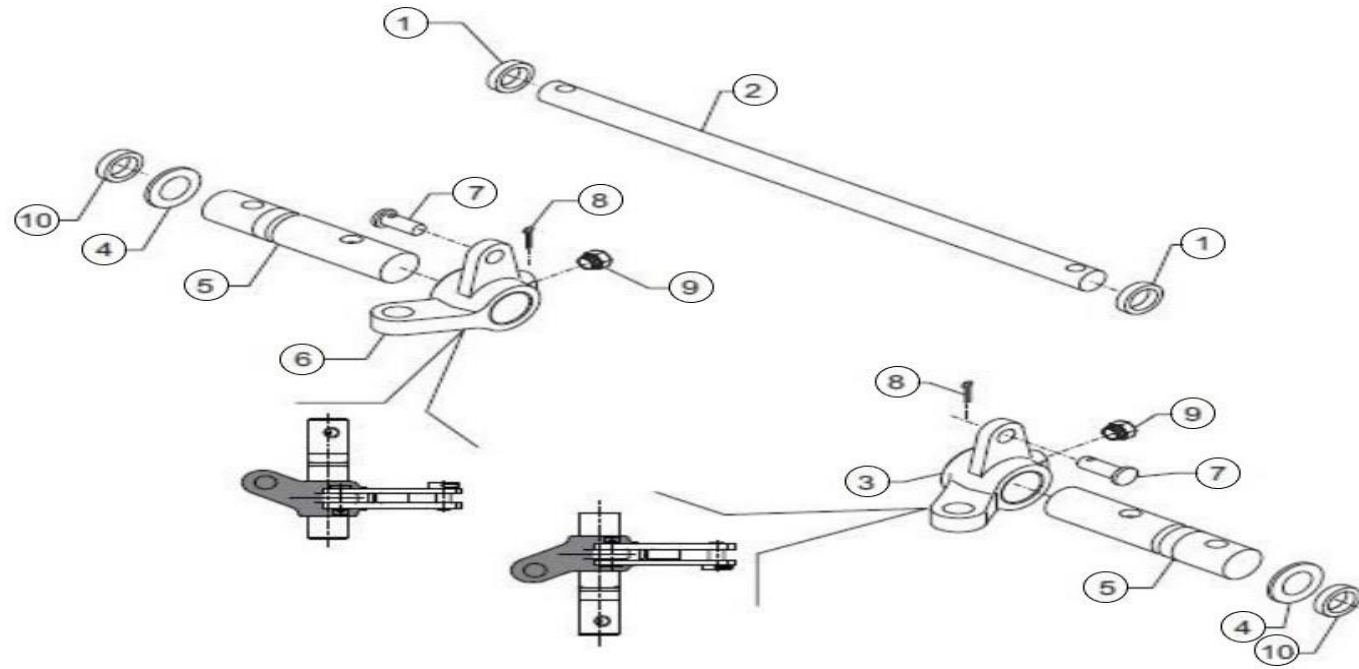
S. No.	PART NO.	PART NAME	PARÇA KODU	PARÇA ADI	ADET		AÇIKLAMA
					6000	7500	
					4WD	4WD	
1	499142132400	O' RING (28111)	3305B001	O-RİNG	1	1	
2	499135229000	DIFF. LOCKING PIN (123827)	3603F003	DİFERANSİYEL KİLİDİ PİMİ	1	1	
3	499135229100	PIN Ø8x36 (24445)	3303E004	PİM	1	1	
4	499135229200	DIFF. LOCKING FORK (406057)	3603F004	DİFERANSİYEL KİLİDİ ÇATALI	1	1	
5	499135229300	SPRING (117147)	3305B004	DİFERANSİYEL KİLİDİ ÇATALI YAYI	1	1	
6	499135229400	PLUG M22x1.5 (572269)	3603F005	TAPA M22X1.5	1	1	
7	499142126200	NUT (22119)	3603F006	SOMUN	1	1	
8	499142126300	GRUB SCREW M10x50 (21705)	3603F007	SAPALAMA CİVATA M10X50	1	1	
9	499141132800	SNAP RING D-15 (24770)	3305B008	SEGMAN 15	1	1	
10	499135229500	WASHER (105089)	3305B009	PUL	1	1	
11	499135229600	PIN X15x51 (121730)	3305B005	PİM 15X51	1	1	
12	499135229700	BUSH (121729)	3305B006	BURÇ	1	1	
13	499135229800	DIFF LOCK LEVER KIT (66722)	3305B007	DİFERANSİYEL KİLİDİ KİTİ	1	1	



FREN DİSKİ VE İLGİLİ PARÇALAR

GRUP:- P-

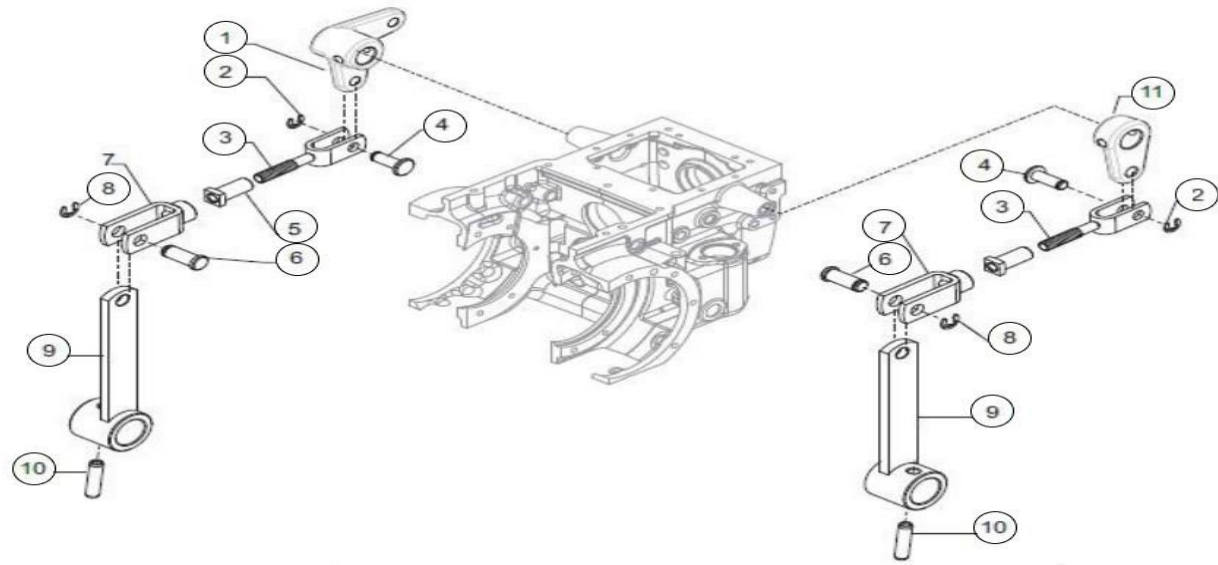
S. No.	PART NO.	PART NAME	PARÇA KODU	PARÇA ADI	ADET		AÇIKLAMA
					6000	7500	
					4WD	4WD	
1	499171119900	PIN D11 (118336)	3305I001	PİM 11	2	2	
2	499171120000	PIN LOCKING SPRING (146912)	3305I002	KUPİLYA	2	2	
3	499171120100	TIE BAR (146913)	3305I003	FREN MEKANİZMASI ÜST BAĞLANTI LAMASI	2	2	
4	499171120200	BRAKE MECHANISM (117165)	3305I004	FREN MEKANİZMASI	2	2	
5	499171120300	BRAKE DISC (143847)	3305I005	FREN BALATASI	10	10	
6	499171120400	BRAKE COUNTER PLATE (117167)	3305I006	FREN DİSKİ	6	6	
7	499171120500	DIFFERENTIAL FLANGE (144194)	3603G001	FREN MEKANİZMASI DIŞ KAPAK	2	2	
8	499171120600	BOLT (40184)	3305I008	CİVATA	4	4	KİT 3305I004
9	499171120700	TIE ROD (40192)	3305I009	FREN MEKANİZMASI ARA KOL	4	4	KİT 3305I004
10	499171120800	SPRING (40190)	3305I010	YAY	6	6	KİT 3305I004
11	499171120900	BALL (40191)	3305I011	BİLYA	10	10	KİT 3305I004
12	499171121000	NUT (40100)	3305I012	SOMUN	4	4	KİT 3305I004
13	499142126400	BOLT M12x110 (136092)	3305I013	CİVATA M12X100	10	10	
14	499171121100	BRAKES FLANGE (144192)	3603G002	FREN KOVANI	2	2	
15	499171121200	PIN Ø12x50 (116976)	3305I015	PİM 12X50	4	4	



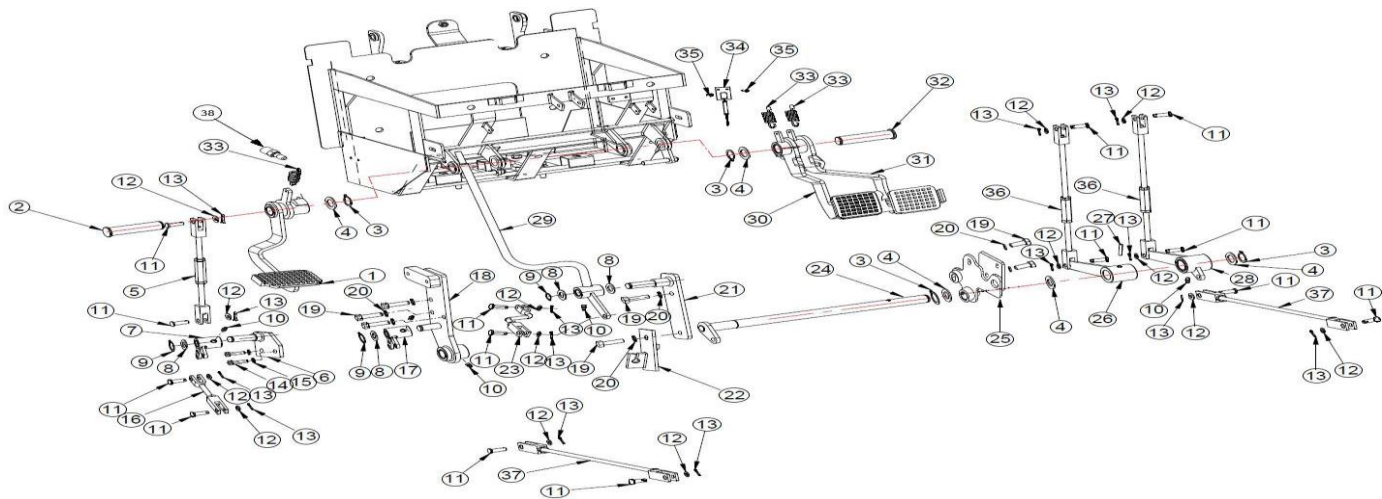
FREN KONTROL MEKANİZMASI VE İLGİLİ PARÇALAR

GRUP:- P-

S. No.	PART NO.	PART NAME	PARÇA KODU	PARÇA ADI	ADET		AÇIKLAMA
					6000	7500	
					4WD	4WD	
1	499142126500	SEAL RING 20x30x7 (25107)	3603G003	ORING 20X30X7	2	2	
2	499171121400	BRAKES CONTROL SHAFT (642421)	3603G004	FREN KONTROL MİLİ	1	1	
3	499171121500	BRAKES LEVER L.H. (642423)	3603G005	FREN BAĞLANTI HORUZU SOL	1	1	
4	499171121600	WASHER (401324)	3603G006	PUL	2	2	
5	499171121700	BRAKES CONTROL SHAFT (400173)	3603G007	FREN KONTROL PİMİ	2	2	
6	499171121800	BRAKES LEVER R.H. (642422)	3603G008	FREN BAĞLANTI HORUZU SAĞ	1	1	
7	499171121900	PIN 11x33 (117226)	3305K005	PİM 11	2	2	
8	499171122000	PIN Ø3.2x32 (25567)	3305K006	PİM 3.2X32	2	2	
9	499171122100	BOLT M14x30 (117208)	3305K008	ÖZEL CİVATA	2	2	
10	499171122200	SEAL (401446)	3603G009	KEÇE	2	2	



EL FREN KONTROL MEKANİZMASI VE İLGİLİ PARÇALAR							GRUP:- P-
S. No.	PART NO.	PART NAME	PARÇA KODU	PARÇA ADI	ADET		AÇIKLAMA
					6000	7500	
					4WD	4WD	
1	499142132700	HAND BRAKE LEVER R.H. (205813)	3603G010	EL FREN BAĞLANTI HORUZU SAĞ	1	1	
2	499171122300	ELASTIC RING Ø8 (24715)	3603G011	ELASTİK YÜZÜK D8	2	2	
3	499171122400	BRAKE ROD (206642)	3603G012	EL FREN BAĞLANTI ÇATALI ÜST	2	2	
4	499171122500	BRAKE ROD Ø10x28 (70533)	3603G013	EL FREN BAĞLANTI ÇATALI PİMİ D10X28	2	2	
5	499171122600	NUT (113221)	3603G014	SOMUN	2	2	
6	499171122700	BRAKE ROD PIN Ø12.5x31 (105052)	3603G015	EL FREN BAĞLANTI ÇATALI PİMİ D12.5X31	2	2	
7	499171122800	HAND BRAKE BRACKET (372523)	3603G016	EL FREN BAĞLANTI ÇATALI ALT	2	2	
8	499171122900	ELASTIC ROD Ø9 (24717)	3603G017	ELASTİK YÜZÜK D9	2	2	
9	499171123000	HAND BRAKE LEVER LH / RH (205812)	3603G018	EL FREN BAĞLANTI ÇUBUĞU	2	2	
10	499171123100	PIN 10x45 (24453)	3603A020	PİM 10X45	2	2	
11	499171123200	HAND BRAKE LEVER L.H. (205811)	3603G019	EL FREN BAĞLANTI HORUZU SOL	2	2	
12	499171123300	SPLIT PIN 8x45 (24447)	3603G020	YARIKLI PİM D8X45	2	2	

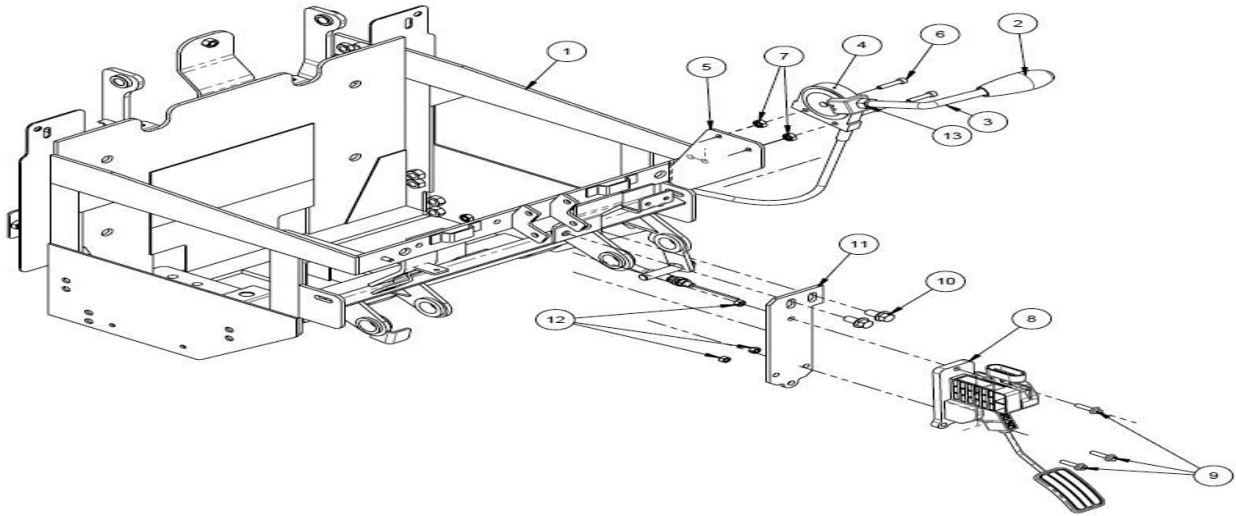


FREN DEBRİYAJ PEDALI VE İLGİLİ PARÇALAR							GRUP:- P-
S. No.	PART NO.	PART NAME	PARÇA KODU	PARÇA ADI	ADET		AÇIKLAMA
					6000	7500	
					4WD	4WD	
1	487671100100	CLUTCH PEDAL ASSY. (MECH)	3603G028	DEBRİYAJ PEDALI	1	1	
1		CLUTCH PEDAL ASSY. (MECH)	3603G028A	DEBRİYAJ PEDALI (KABİNLİ İÇİN)	1	1	
2	445175617400	PIN FOR CLUTCH PEDAL MOUNTING	3603G029	DEBRİYAJ PEDALI PİMİ	1	1	
3	930025150100	CIRCLIP A25 IS-3075	3303B007	FREN PEDALI MİLİ RONDELASI	4	4	
4	901622540200	WASHER Ø25X2	3603G031	FREN PEDAL PULU ÖZEL	5	5	
5	445175613300	TIE ROD FOR CLUTCH PEDAL	3603G032	DEBRİYAJ PEDAL ÇUBUĞU	1	1	
6	445175619000	CLUTCH PEDAL FORK MTG. BKT. ASSY	3603G033	FREN PEDALİ ÇATALI BAĞLANTI BRAKETİ	1	1	
7	445175618900	CLUTCH PEDAL FORK	3603G034	DEBRİYAJ PEDALİ ÇUBUĞU ÇATALI	1	1	
8	930018120100	CIRCLIP A18 IS3075	3606E033	RONDELA A18	3	3	
9	901621832200	WASHER 18.5X32X2	3605D061	PUL 18.5X32X2	3	3	
10	901300800000	GREASE NIPPLE M8 X 1	3603I006	GRESÖRLÜK M8X1	4	4	
11	445175601700	LINK PIN Ø10	3605D047	PİM 10	14	14	
12	901621000000	WASHER Ø10.5X21X2	3605A036	PUL 10.5X21X2	14	14	
13	900400200250	SPLIT PIN Ø2X25	3606E031	YARIKLI PİM D2X25	14	14	
14	901501012050	HEX SCREW M10X25 GR. 8.8	3303G006	ALTİGEN CİVATA M10X25 8.8	2	2	
15	901611000000	SPRING WASHER B-10	3602I023	YAYLI RONDELA M10	2	2	
16	445175619100	TIE ROD-II FOR CLUTCH PEDAL	3603G035	DEBRİYAJ PEDAL ÇUBUĞU 2	1	1	
17	445175610900	IPTO FORK	3603G036	PTO ÇATALI	1	1	

FREN DEBRİYAJ PEDALI VE İLGİLİ PARÇALAR

GRUP:- P-

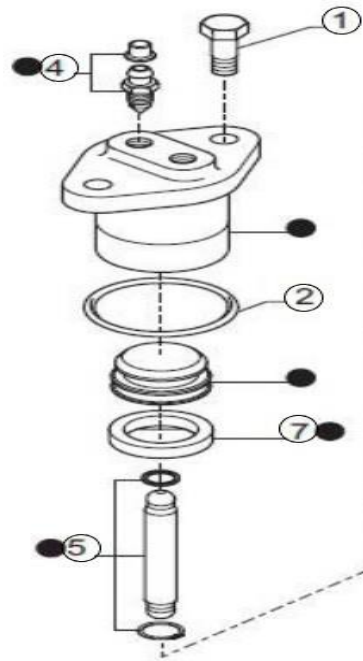
18	445175610200	LEFT BOTTOM SUPPORT ASSY	3603G037	DEBRİYAJ PEDALI ALT BAĞLANTI SAPORTU SOL	1	1	
19	901501212070	HEX SCREW M12X1.75X35 IS 1363-1967	3606H028	ALTIGEN CİVATA M12X1.75X35	5	5	
20	901611200000	SPRING WASHER B-12	3302H002	RONDELA M12	5	5	
21	445175610600	F-R MTG. BKT	3603G038	EL FREN ALT BAĞLANTI BRAKETİ	1	1	
22	445175619200	MOUNTING BRACKET FOR CLUTCH WIRE ROOT	3603G039	DEBRİYAJ TELİ BAĞLANTI BRAKETİ	1	1	
23	499174319900	TIE ROD ASSY FOR F/R	3603G040	İLERİ GERİ BAĞLANTI ÇUBUĞU ÇATALI	1	1	
24	445175612600	BRAKE SHAFT ASSY(BRACKET ASSY RH BRAKE	3603G041	FREN PEDAL MİLİ	1	1	
25	487645300100	TRAILER MTG BRKT.	3606H019	FREN PEDAL MİLİ BAĞLANTI BRAKETİ	1	1	
26	445175612100	BRAKE PADEL MTG. FORK ASSY LHS L-290	3603G042	FREN PEDALI BRAKETİ ÇATALI SOL	1	1	
27	445135700400	SPRING COTTER SLEEVE Ø6X40 IS5988-1970	3603G043	YARIKLI PİM D6X40	1	1	
28	445175612300	BRAKE PADEL MTG. FORK ASSY RHS L-290	3603G044	FREN PEDALI BRAKETİ ÇATALI SAĞ	1	1	
29	445175610700	LEVER F/R ASSY.	3605D009	İLERİ GERİ KOLU	1	1	
30	487671301200	BRAKE PEDAL ASSY. LH	3603G045	FREN PEDALI SOL	1	1	
30		BRAKE PEDAL ASSY. LH	3603G045A	FREN PEDALI SOL (KABİNLİ İÇİN)	1	1	
31	487671301100	BRAKE PEDAL ASSY. RH	3603G046	FREN PEDALI SAĞ	1	1	
31		BRAKE PEDAL ASSY. RH	3603G046A	FREN PEDALI SAĞ (KABİNLİ İÇİN)	1	1	
32	445175612200	HANGGING BRAKE MTG.SHAFT Ø25	3603G047	FREN PEDALI BAĞLANTI PİMİ	1	1	
33	445175614600	SPRING FOR PEDAL RETENTION	3603G048	FREN PEDALI YAYI	2	2	
34	423584401100	BRAKE SWITCH ASSY.	3603G049	FREN MÜŞÜRÜ	1	1	
35	901550612031	HEX FLANGE SCREW M6x16 (YELLOW)	3311A057	ALTIGEN CİVATA M6X16	2	2	
36	445175613200	TIE ROD BRAKE MAIN HSG.	3603G050	PEDAL ANA BAĞLANTI ÇUBUĞU	2	2	
37	445175612400	TIE ROD BRAKE L.H.S & R.H.S	3603G051	PEDAL ALT BAĞLANTI ÇUBUĞU SAĞ-SOL	2	2	
38	412585100200	BRAKE LIGHT SWITCH 26HP	3607A007	FREN MÜŞÜRÜ	1	1	



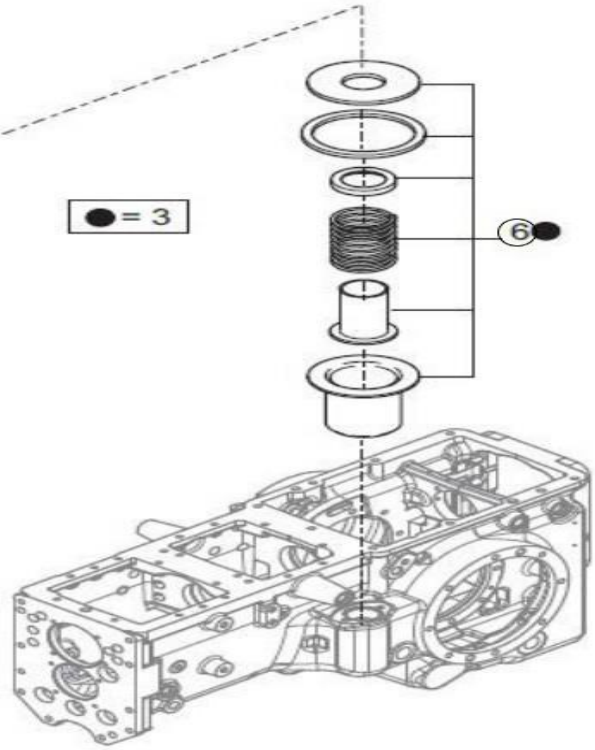
GAZ PEDALI VE İLGİLİ PARÇALAR

GRUP:- P-

S. No.	PART NO.	PART NAME	PARÇA KODU	PARÇA ADI	ADET		AÇIKLAMA
					6000	7500	
					4WD	4WD	
1	487663301000	FRAME; FUEL TANK	3605C001	YAKIT DEPOSU ÇEVRESİ	1	1	
2	487679400600	HAND ACC. KNOB	3603L001	EL GAZI TOPUZU	1	1	
3	487672400400	HAND THROTTLE LEVER	3603L002	EL GAZI KOLU	1	1	
4	487672101000	HAND THROTTLE ASSEMBLY (75 HP)	3603L003	EL GAZI KOMPLE	1	1	
5	487672400200	HAND ACC. MTG.BKT.	3603L004	EL GAZI BRAKETİ	1	1	
6	901510610060	SCREW ALLEN M6X30	3311A001	ALYAN CİVATA M6X30	2	2	
7	901206000000	NYLOCK HEX NUT-M6	3302L016	FİBERLİ SOMUN M6	2	2	
8	487684100300	ACCELERATOR FOOT PEDAL	3603L005	GAZ PEDALI	1	1	
9	901110010080	HEX SOCKET BOLT M6X40	3605D048	SOKET BAŞLI CİVATA M6X40	3	3	
10	901501012050	HEX SCREW M10X25 GR. 8.8	3303G006	ALTİGEN CİVATA M10X25 8.8	2	2	
11	487672300300	FOOT THROTTLE MOUNTING BRACKET;ELEC	3603L006	GAZ PEDALI BAĞLANTI BRAKETİ	1	1	
12	901206000000	NYLOCK HEX NUT-M6	3302L016	FİBERLİ SOMUN M6	3	3	
13	901201200000	HEX NUT (M12)	3311A042	SOMUN M12	1	1	
14			3603L017	GAZ PEDALI MİLİ YENİ (KABİNLİ)	1	1	
15			3603L018	GAZ PEDALI MİLİ YENİ (TENTELİ)	1	1	



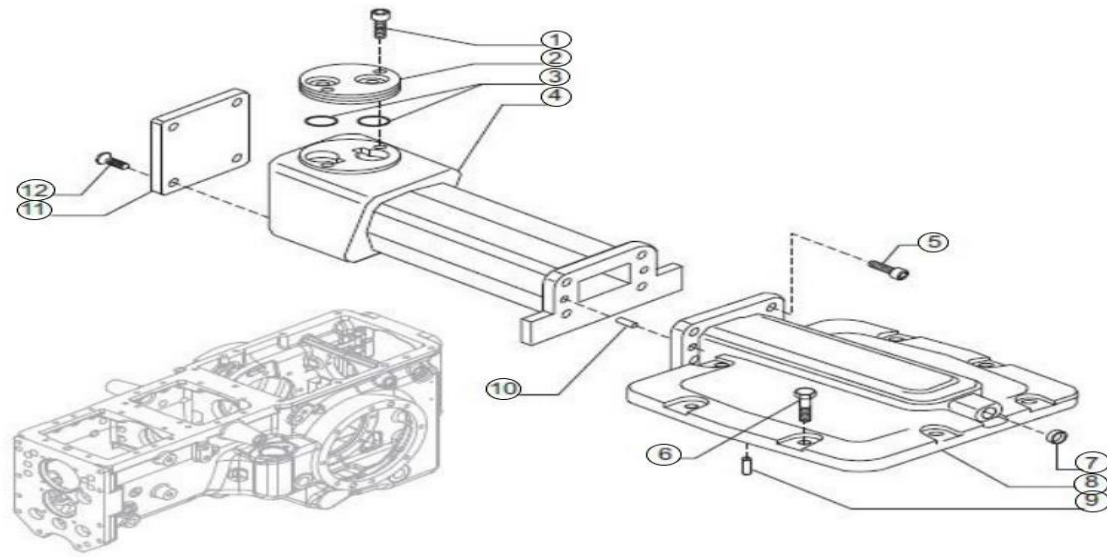
● = 3



FREN AKTİVATÖRÜ VE İLGİLİ PARÇALAR

GRUP:- P-

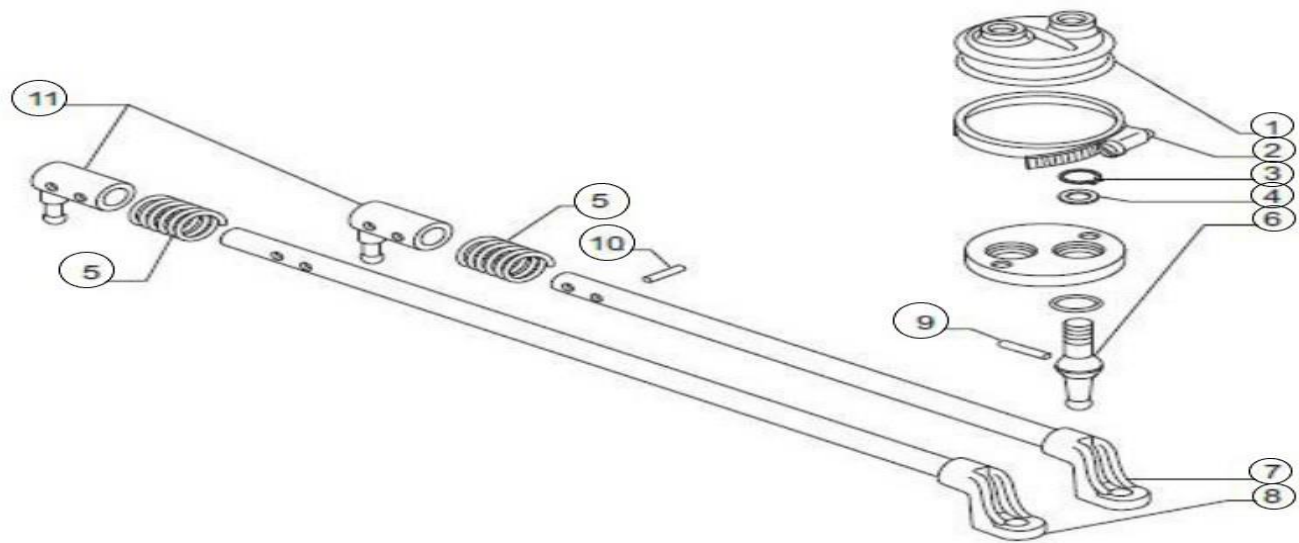
S. No.	PART NO.	PART NAME	PARÇA KODU	PARÇA ADI	ADET		AÇIKLAMA
					6000	7500	
					4WD	4WD	
1	499142126600	BOLT M10x30 (127921)	3603G021	CIVATA M10X30	4	4	
2	499171123400	O, RING (28512)	3603G022	ORING	2	2	
3	499171123500	BRAKE ACTUATOR ASSEMBLY (358900)	3603G023	FREN AKTİVATÖRÜ KOMPLE	2	2	
4	499171123600	BLEED SEREW (48749)	3603G024	HAVA ALMA TAPASI	1	1	KİT 3603G023
5	499171123700	PUSH ROD (48750)	3603G025	FREN AKTİVATÖRÜ MİLİ	1	1	KİT 3603G024
6	499171123800	SPRING (48751)	3603G026	FREN AKTİVATÖRÜ YAYI	1	1	KİT 3603G025
7	499171123900	SEALING (48167)	3603G027	FREN AKTİVATÖRÜ KEÇESİ	1	1	KİT 3603G026



VİTES KOLLARI ALT HAZNESİ VE İLGİLİ PARÇALAR

GRUP:- P-

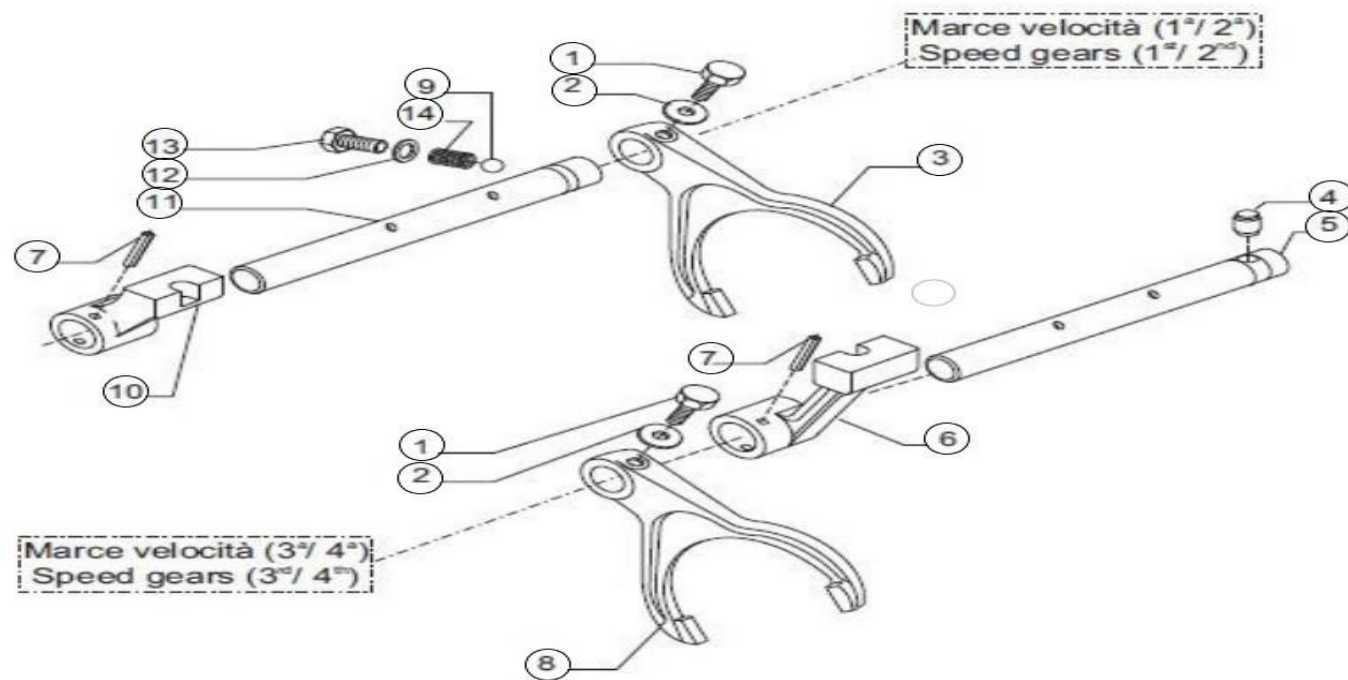
S. No.	PART NO.	PART NAME	PARÇA KODU	PARÇA ADI	ADET		AÇIKLAMA
					6000	7500	
					4WD	4WD	
1	499142126700	SCREW M8x16 (21390)	3303G001	CİVATA M8X16	2	2	
2	499135229900	COVER (133831)	3303G002	KÖRÜK KAPAĞI	1	1	
3	499135230000	O' RING (28519)	3303G003	VİTES KOLU ALT ORİNG	2	2	
4	499135230100	LEVER SUPPORT (133825)	3303G004	VİTES KOLU ALT SAPORT	1	1	
5	499142126800	SCREW M8x25 (21393)	3303G005	CİVATA M8X25	4	4	
6	499142124500	BOLT M10x25 (127922)	3303G006	ALTİGEN CİVATA M10X25	8	8	
7	499135230200	PLUG (116155)	3303G007	TAPA	1	1	
8	499135230300	COVER (642419)	3303G008	VİTES KOLLARI KAPAĞI ARKA	1	1	
9	499135230400	PIN (79582)	3303G009	PİM	2	2	
10	499135230500	PIN (117385)	3303G010	YARIKLI PİM	2	2	
11	499135230600	COVER (133870)	3303G011	VİTES MEKANİZMASI ALT KAPAK	1	1	
12	499142126900	BOLT M6x12 (20483)	3303G012	CİVATA M6X12	4	4	



VİTES KOLLARI ALT HAZNESİ VE İLGİLİ PARÇALAR 2

GRUP:- P-

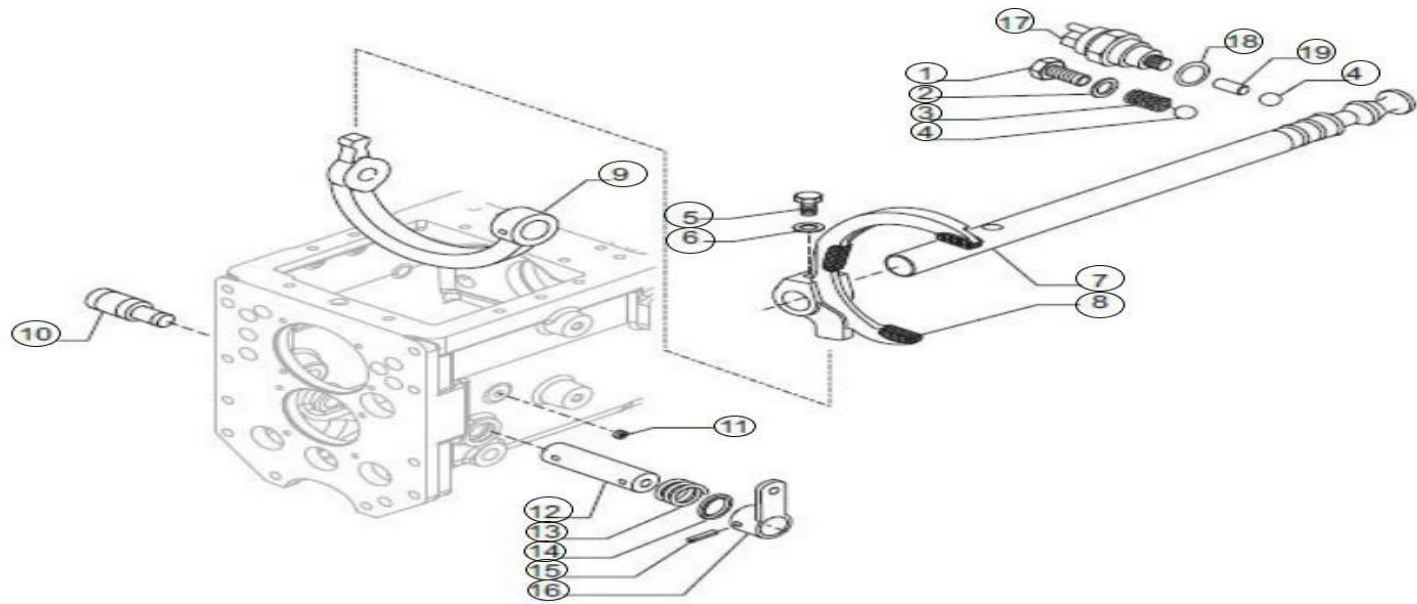
S. No.	PART NO.	PART NAME	PARÇA KODU	PARÇA ADI	ADET		AÇIKLAMA
					6000	7500	
					4WD	4WD	
1	499135230700	BOOTH (146026)	3303I001	VİTES ALT KÖRÜK	1	1	
2	499135230800	HOSE CLAMP (133989)	3303I002	KELEPÇE	1	1	
3	499135230900	SNAP RING Ø16 (24771)	3303I003	HİDROLİK İÇ KALDIRMA KOLU SEGMANI	2	2	
4	499135231000	SHIM 26x16.5x1.0 (133992)	3303I004	ŞİM 26X16.5X1	2	2	
5	499135231100	SPRING (1463120)	3303I005	VİTES KOLU ALT MİLİ YAYI	2	2	
6	499135231200	LEVER (133832)	3303I006	VİTES KOLU ALT MİLİ	2	2	
7	499135231300	INNER ROD (135816)	3303I007	ÇİFT İSTAVROZ İÇ MİLİ KISA	1	1	
8	499135231400	INNER ROD (135817)	3303I008	ÇİFT İSTAVROZ İÇ MİLİ UZUN	1	1	
9	499135231500	PIN (117385)	3303G010	YARIKLI PİM	2	2	
10	499135231600	PIN Ø6x26 (24403)	3303I009	YARIKLI PİM D6X26	4	4	
11	499135231700	INNER LEVER (135353)	3303I010	VİTES KOLLARI ALT MİLİ HOROZU	2	2	



HIZLI YAVAŞ ALT MEKANİZMA VE İLGİLİ PARÇALAR

GRUP:- P-

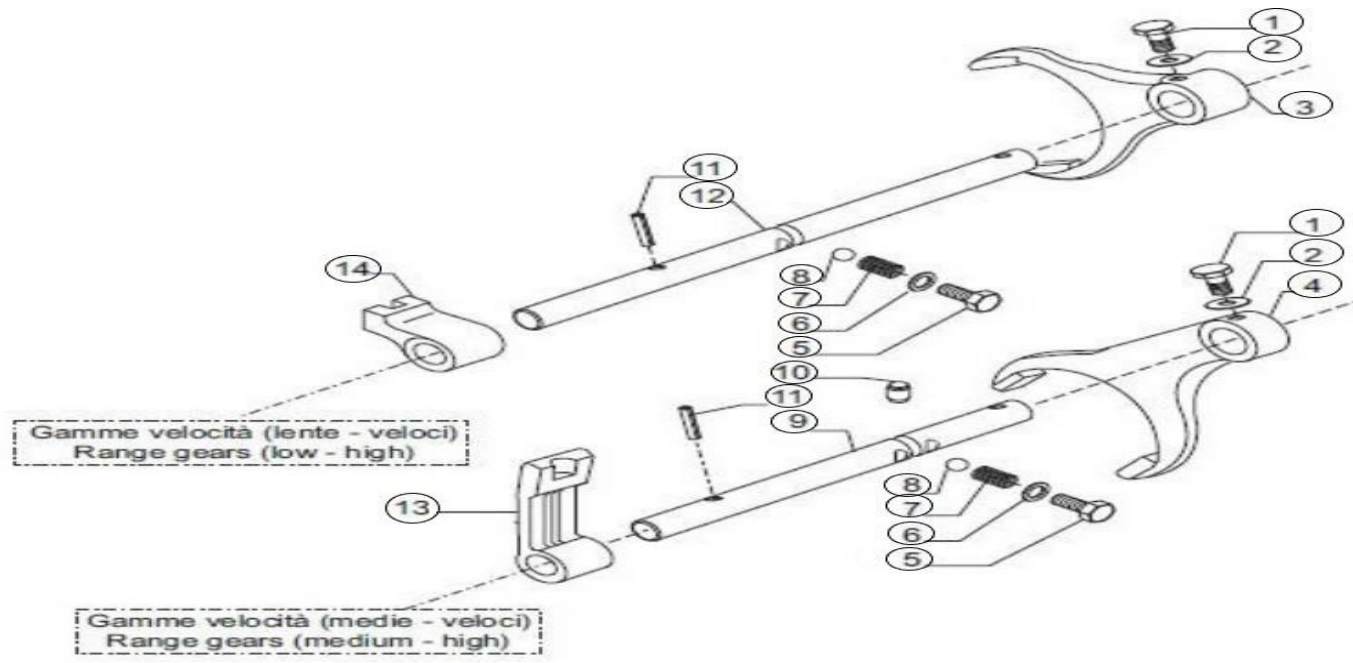
S. No.	PART NO.	PART NAME	PARÇA KODU	PARÇA ADI	ADET		AÇIKLAMA
					6000	7500	
					4WD	4WD	
1	499135231800	BOLT (107990)	3303J001	CİVATA	2	2	
2	499135231900	WASHER (107991)	3303J002	PUL 107991	2	2	
3	499135232000	FORK 1ST & 2ND (122075)	3603H001	1-2 VİTES ÇATALI	1	1	
4	499135232100	LOCK PIN (117356)	3303J004	KİLİTLEME PİMİ	1	1	
5	499135232200	ROD 3RD & 4TH (414526)	3603H002	3-4 VİTES ÇATAL MİLİ	1	1	
6	499135232300	BLOCK (135352)	3303J006	3-4 VİTES ÇATAL MİL KÜTÜĞÜ	1	1	
7	499135232400	PIN Ø6x30 (24444)	3303J007	YARIKLI PİM D6X30	2	2	
8	499135232500	FORK 3RD & 4TH (120296)	3603H004	3-4 VİTES ÇATALI	1	1	
9	499135232600	BALL Ø3/8" (28271)	3303J009	BİLYA D.3/8 PSPD056300	2	2	
10	499135232700	BLOCK (135351)	3303J010	1-2 VİTES ÇATAL MİLİ KÜTÜĞÜ	1	1	
11	499135232800	ROD 1ST & 2ND (414525)	3603H005	1-2 VİTES ÇATAL MİLİ	1	1	
12	499135232900	WASHER (23288)	3303J012	PUL 23288	2	2	
13	499135233000	BOLT (138003)	3303J013	CİVATA	2	2	
14	499135233100	SPRING (641673)	3303J014	YAY (BÜYÜK) PSPD5060306	2	2	



İLERİ GERİ MEKANİZMASI VE İLGİLİ PARÇALAR

GRUP:- P-

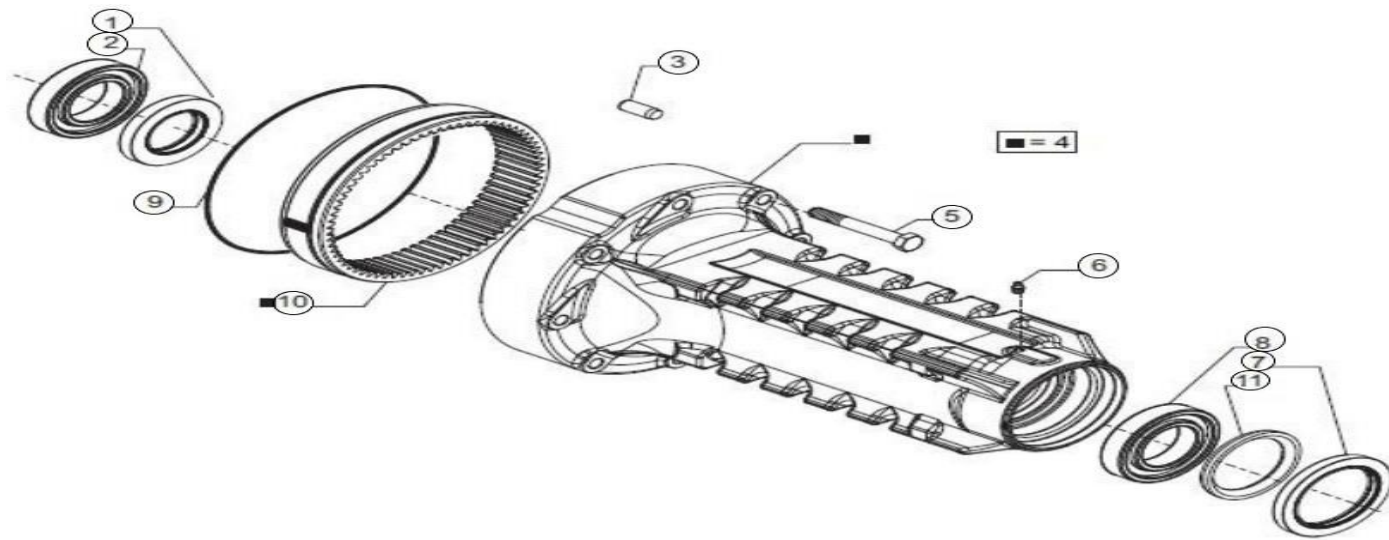
S. No.	PART NO.	PART NAME	PARÇA KODU	PARÇA ADI	ADET		AÇIKLAMA
					6000	7500	
					4WD	4WD	
1	499135233000	BOLT (138003)	3303J013	CİVATA	1	1	
2	499135232900	WASHER (23288)	3303J012	PUL 23288	1	1	
3	499135233100	SPRING (641673)	3303J014	YAY (BÜYÜK) PSPD5060306	1	1	
4	499135232600	BALL D3/8" (28271)	3303J009	BİLYA D.3/8 PSPD056300	2	2	
5	499135231800	BOLT (107990)	3303J001	CİVATA	1	1	
6	499135231900	WASHER (107991)	3303J002	PUL 107991	1	1	
7	499135233200	ROD (411492)	3603H006	İLERİ GERİ ÇATALI MİLİ	2	2	
8	499135233300	FORK (142423)	3603H007	İLERİ GERİ ÇATALI	1	1	
9	499135233400	INNER LEVER (FW & REV) (144170)	3603H008	İLERİ GERİ İÇ KOL	1	1	
10	499135233500	PIN (144172)	3603H009	İLERİ GERİ İÇ KOL PİM	1	1	
11	499135233600	PLUG M10x1.0 (21558)	3603H010		1	1	
12	499135233700	INNER ROD (FW & REV) (572260)	3603H011	İLERİ GERİ İÇ MİL	1	1	
13	499135233800	SPRING (118067)	3603H012	İLERİ GERİ İÇ MİL YAYI	1	1	
14	499142126500	OIL SEAL 20x30x7 (25107)	3603G003	ORING 20X30X7	1	1	
15	499135234000	PIN 6x36 (24442)	3603H013	PİM D6X36	2	2	
16	499142130500	REVERSER LEVER (643534)	3603H014	GERİ VİTES ÇATALI ALT MİLİ	1	1	
17	499135234200	SENSOR (643172)	3603H015	ŞANZİMAN DEVİR SENSÖRÜ	1	1	
18	499135234300	WASHER (23265)	3603H016	PUL	1	1	
19	499135234400	PIN Ø9 x 17 (121721)	3303L003	PİM D9X17	1	1	



HIZLI YAVAŞ ALT MEKANİZMA VE İLGİLİ PARÇALAR

GRUP:- P-

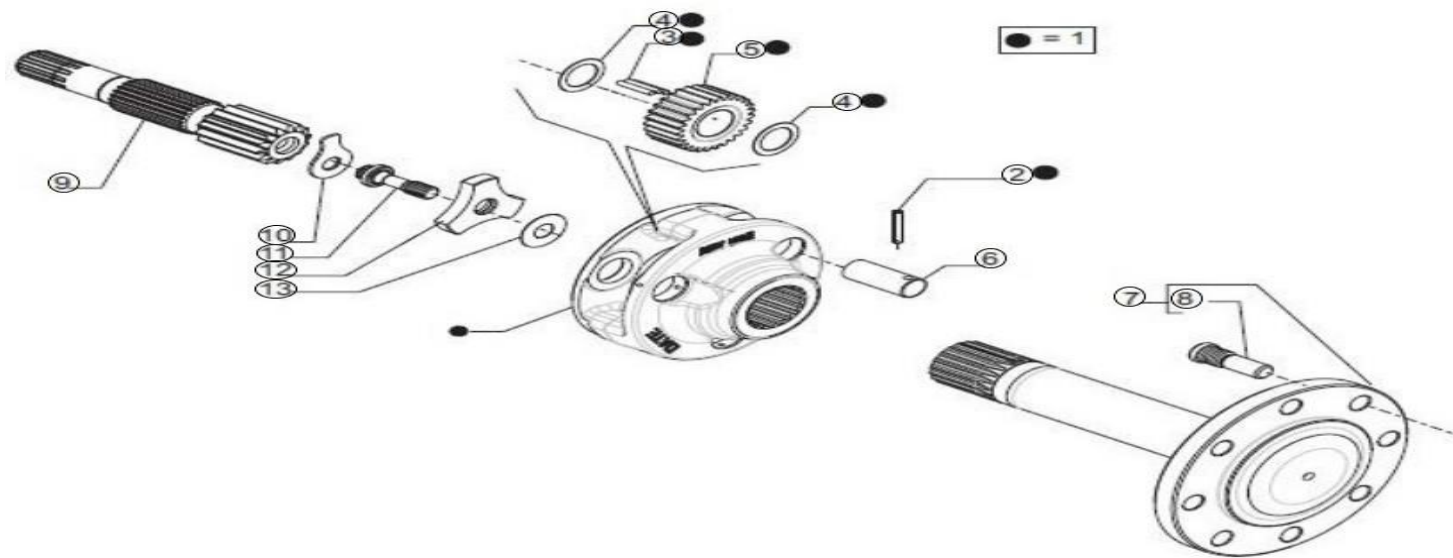
S. No.	PART NO.	PART NAME	PARÇA KODU	PARÇA ADI	ADET		AÇIKLAMA
					6000	7500	
					4WD	4WD	
1	499135231800	BOLT (107990)	3303J001	CIVATA	2	2	
2	499135231900	WASHER (107991)	3303J002	PUL 107991	2	2	
3	499135233800	REDUCER FORK (116910)	3303K001	YAVAŞLAMA ÇATALI	1	1	
4	499135233900	SPEED FORK (116911)	3303K002	HIZLANMA ÇATALI	1	1	
5	499135233000	BOLT (138003)	3303J013	CIVATA	2	2	
6	499135232900	WASHER (23288)	3303J012	PUL 23288	2	2	
7	499135233100	SPRING (641673)	3303J014	YAY (BÜYÜK) PSPD5060306	2	2	
8	499135232600	BALL D 3/8" (28271)	3303J009	BİLYA D.3/8 PSPD056300	2	2	
9	499142132600	ROD SPEED /LO (572321)	3303K003	HIZLI VİTES ÇATALI MİLİ	1	1	
10	499135232100	LOCK PIN (117356)	3303J004	KİLİTLEME PİMİ	1	1	
11	499135232400	PIN Ø6x30 (24444)	3303J007	YARIKLI PİM D6X30 PSPD056400	2	2	
12	499135234100	REDUCER ROD (133875)	3303K004	YAVAŞ VİTES ÇATALI MİLİ	1	1	
13	499135232300	BLOCK (135352)	3303J006	3-4 VİTES ÇATAL MİL KÜTÜĞÜ	1	1	
14	499135232700	BLOCK (135351)	3303J010	1-2 VİTES ÇATAL MİLİ KÜTÜĞÜ	1	1	



ARKA AKS YAN KOVAN VE İLGİLİ PARÇALAR

GRUP:- P-

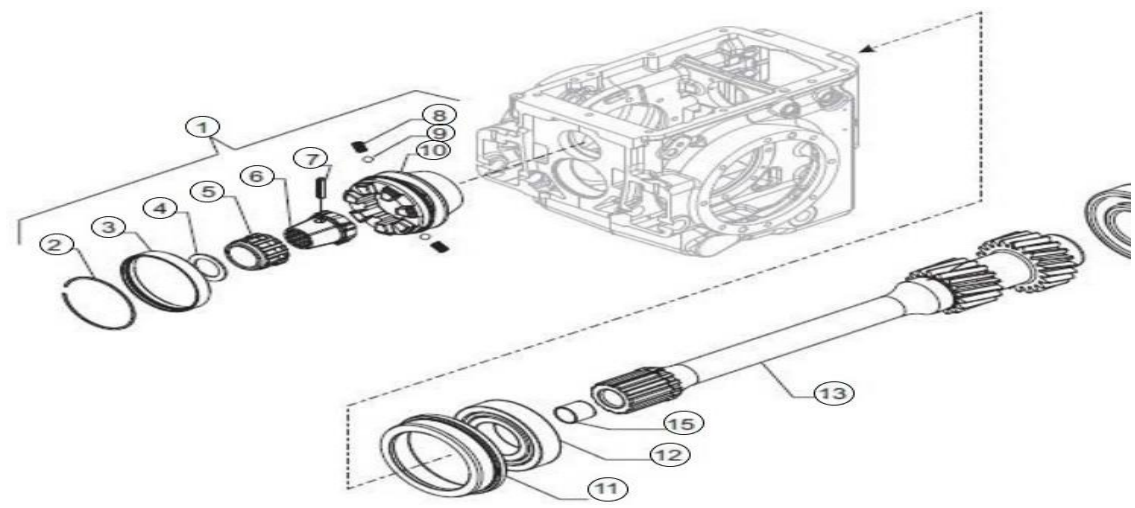
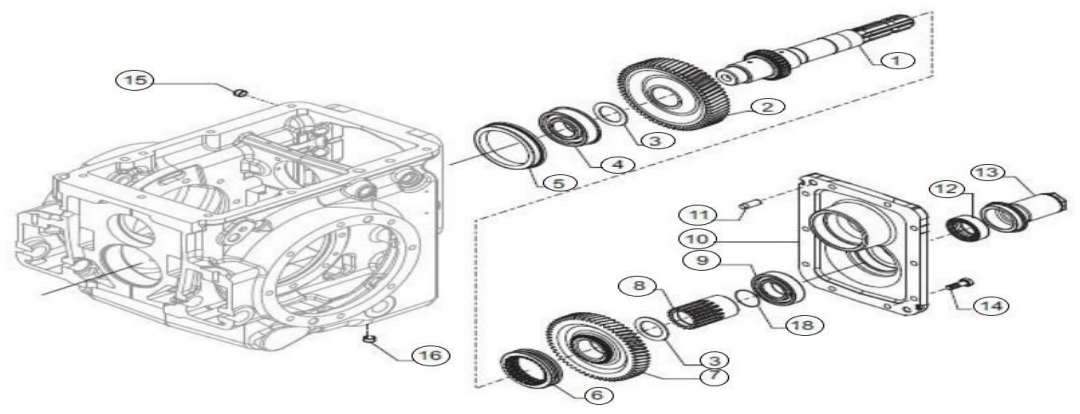
S. No.	PART NO.	PART NAME	PARÇA KODU	PARÇA ADI	ADET		AÇIKLAMA
					6000	7500	
					4WD	4WD	
1	499135234400	SEAL RING (25270)	3603I001	ARKA AKS YAN KOVAN KEÇESİ	2	2	
2	499142129500	BEARING (25813)	3603I002	ARKA AKS YAN KOVAN RULMANI	2	2	
3	499123220400	PIN Ø15x35 (87660)	3304E019	PİM D15X35	4	4	
4	499135234500	TRUMPET HOUSING KIT (68456)	3603I004	ARKA AKS YAN KOVAN	2	2	
5	499142127000	BOLT M14x75 (127693)	3603I005	ÇİVATA M14X75	16	16	
6	901300800000	GREASE NIPPLE M8x1 (24258)	3603I006	GRESÖRLÜK M8X1	2	2	
7	499135234600	SEAL RING (25359)	3603I007	ARKA AKS YAN KOVAN KEÇESİ YÜZÜĞÜ	2	2	
8	499142127100	BEARING (26031)	3603I008	RULMAN	2	2	
9	499135234700	O 'RING (28605)	3603I009	ARKA AKS YAN KOVAN ORING	2	2	
10	499135234800	CROWN GEAR Z-70 (642444)	3603I010	TAÇ DİŞLİ Z=70	2	2	KİT 3603I004
11	499135234900	WASHER (137762)	3603I011	PUL	2	2	
12	499135234100	REDUCER ROD (133875)	3303K004	YAVAŞ VİTES ÇATALI MİLİ	1	1	
13	499135232300	BLOCK (135352)	3303J006	3-4 VİTES ÇATAL MİL KÜTÜĞÜ	1	1	
14	499135232700	BLOCK (135351)	3303J010	1-2 VİTES ÇATAL MİLİ KÜTÜĞÜ	1	1	



ARKA AKS MİLİ VE İLGİLİ PARÇALAR

GRUP:- P-

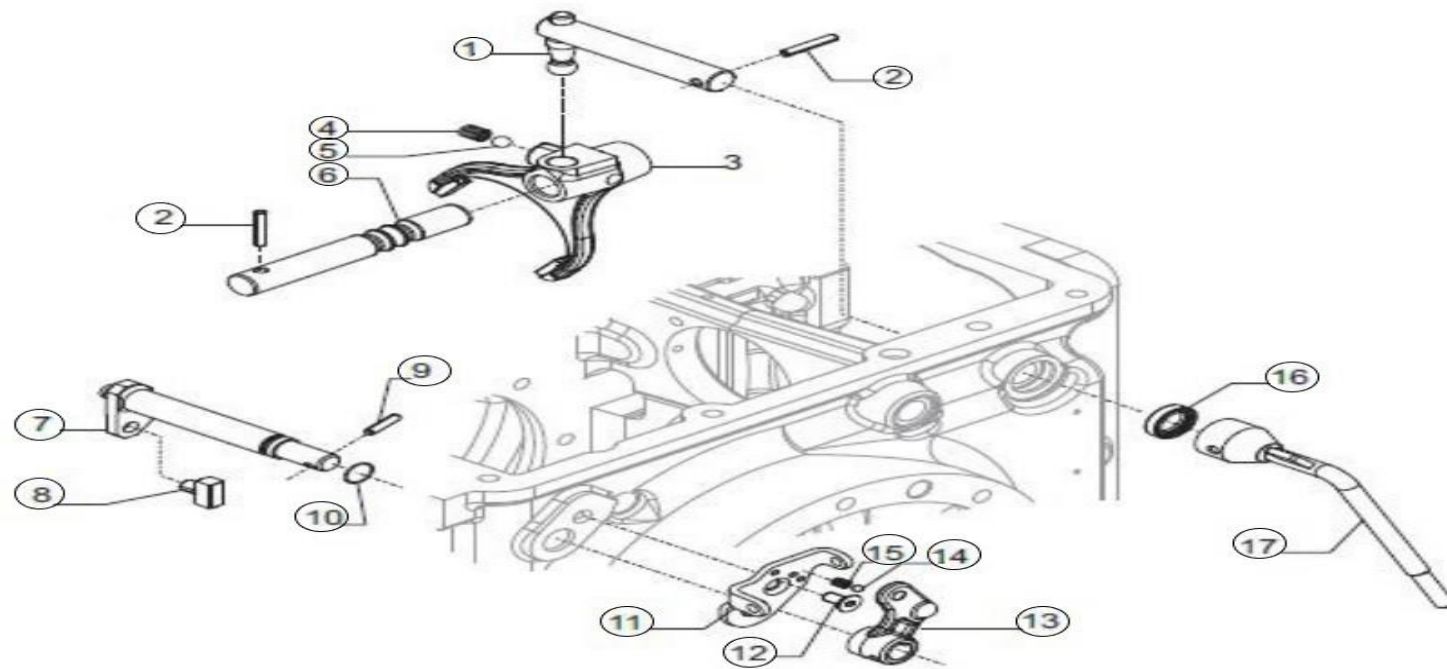
S. No.	PART NO.	PART NAME	PARÇA KODU	PARÇA ADI	ADET		AÇIKLAMA
					6000	7500	
					4WD	4WD	
1	499135235000	PLANTARY CARRIER ASSY.(68458)	3603I012	PLANET TAŞIYICI KİTİ	2	2	
2	499135235100	PIN (134809)	3603I013	PİM	6	6	KİT 3603I012
3	499135235200	NEEDLE BEARING (BY TENS) (28293)	3603I014	İĞNELİ RULMAN	15	15	KİT 3603I012
4	499135235300	WASHER (120841)	3603I015	PUL	12	12	KİT 3603I012
5	499135235400	GEAR Z-27 (642442)	3603I016	DİŞLİ Z=27	6	6	KİT 3603I012
6	499135235500	PIN (120839)	3603I017	PİM	6	6	
7	499135235600	WHEEL SHAFT ASSY. (68459)	3603I018	ARKA AKS MİLİ	2	2	
8	499142127200	BOLT M18x58 (84911)	3603I019	CİVATA M18X58	2	2	KİT 3603I018
9	499135235700	HALF SHAFT Z-14 (143945)	3603I020	ARKA AKS KOVAN MİLİ Z=14	2	2	
10	499135235800	WASHER (642448)	3603I021	PUL	2	2	
11	499142127300	BOLT M16x2.0 (132127)	3603I022	CİVATA M16X2.0	2	2	
12	499135235900	LOCK WASHER (642447)	3603I023	KİLİTLEME PULU	2	2	
13	499135236000	SHIM 0.1 MM (123310)	3305H016	ŞİM 0.1 MM	-	-	
14	499135236100	SHIM 0.3 MM (123311)	3305H017	ŞİM 0.3 MM	-	-	
15	499135236200	SHIM 0.5 MM (123312)	3305H018	ŞİM 0.5 MM	-	-	
16	499135236300	SHIM 0.05 MM (123721)	3305H019	ŞİM 0.05 MM	-	-	



P.T.O ÇIKIŞ MİLİ VE İLGİLİ PARÇALAR

GRUP:- P-

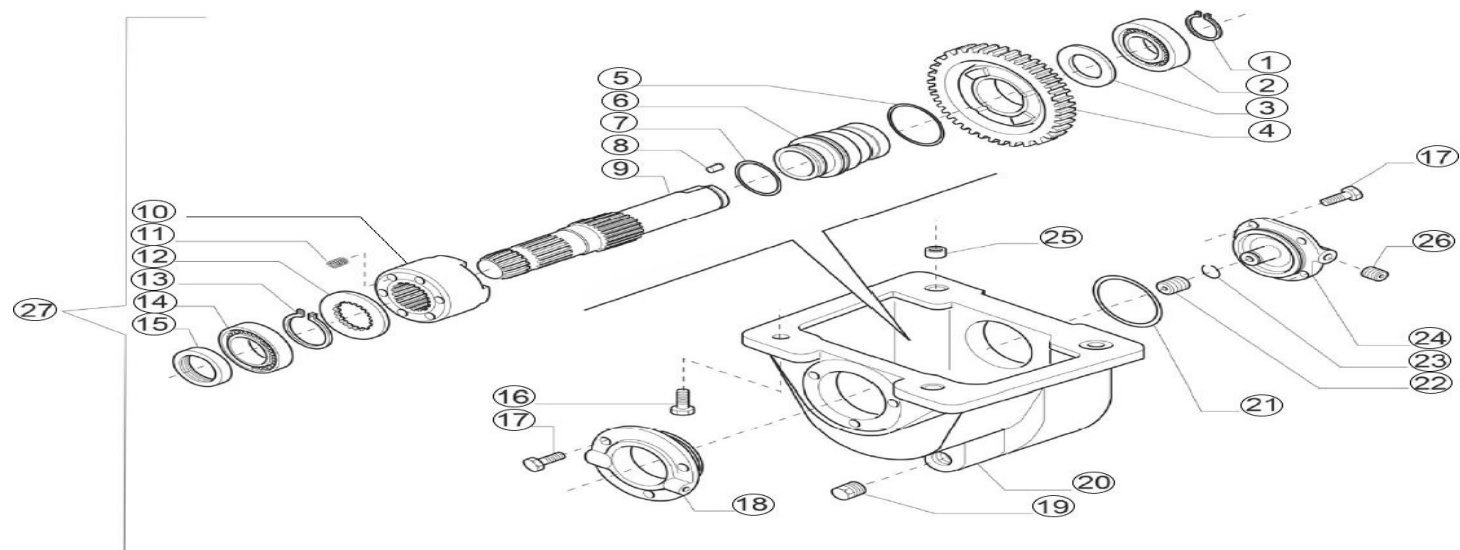
S. No.	PART NO.	PART NAME	PARÇA KODU	PARÇA ADI	ADET		AÇIKLAMA
					6000	7500	
					4WD	4WD	
1	499135236400	PTO OUTPUT SHAFT (642306)	3603J001	PTO ÇIKIŞ MİLİ	1	1	
2	499135236500	PTO GEAR Z-61 (143993)	3603J002	PTO DİŞLİSİ Z=61	1	1	
3	499135236600	WASHER (135047)	3603J003	PUL	2	2	
4	499142127400	BEARING (26189)	3603J004	RULMAN	1	1	
5	499135236700	BEARING SUPPORT (144002)	3603J005	RULMAN YATAĞI	1	1	
6	499135227200	PTO SLEEVE (116597)	3603J006	PTO KAPLİNİ KÜÇÜK	1	1	
7	499135236900	PTO GEAR Z-58 (143994)	3603J007	PTO DİŞLİSİ Z=58	1	1	
8	499135237000	SPACER (642307)	3603J008	ARA BURÇ	1	1	
9	499142127500	BEARING (25809)	3603J009	RULMAN	1	1	
10	499135237100	PTO COVER (644538)	3603J010	PTO KAPLİNİ BÜYÜK	1	1	
11	499135237200	PIN Ø12x30 (70783)	3305A013	TESPİT PİMİ	2	2	
12	499135237300	SEAL RING (126403)	3603J011	KEÇE YÜZÜĞÜ	1	1	
13	499135237400	PTO HOOD (124691)	3603J012	PTO MİLİ KORUMA KAPAĞI	1	1	
14	499142127600	BOLT M10x30 (20852)	3603J013	CİVATA M10X30	10	10	
15	499135237500	PLUG M16x2.0 (572084)	3603J014	TAPA M16X2.0	1	1	
16	499135237600	PLUG M20x1.5 (21576)	3603J015	TAPA M20X1.5	1	1	



P.T.O KONTROL MEKANİZMASI VE İLGİLİ PARÇALAR

GRUP:- P-

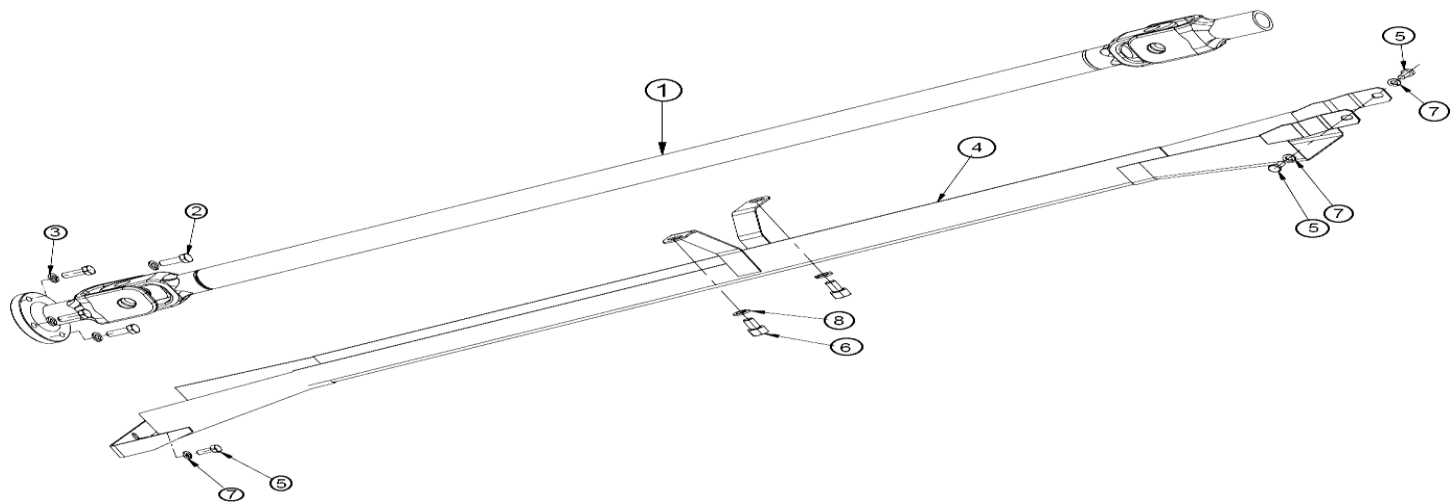
S. No.	PART NO.	PART NAME	PARÇA KODU	PARÇA ADI	ADET		AÇIKLAMA
					6000	7500	
					4WD	4WD	
1	499135239100	PTO CONTROL LEVER (642399)	3603J016	PTO KONTROL ÇATALI ÜST MİL	1	1	
2	499135226200	PIN 6x36 (24408)	3303O005	PİM	2	2	
3	499135226300A	PTO CONTROL FORK (644077)	3603J017	PTO KONTROL ÇATALI	1	1	
4	499135226400	SPRING (71352)	3603J018	PTO KONTROL ÇATALI YAYI	1	1	
5	499135226500	BALL (28270)	3603J019	PTO KONTROL ÇATALI BİLYA	1	1	
6	499135226600	PTO CONTROL PIN (644076)	3603J020	PTO KONTROL ÇATALI PİMİ	1	1	
7	499135226700	PTO CONTROL LEVER ASSY. (127975)	3603J021	PTO KAPLİNİ İTİCİ MİLİ	1	1	
8	499142130300	SLIDING BLOCK (72403)	3603J022	PTO KAPLİNİ İTİCİ MİLİ PİMİ	1	1	
9	499142131500	PIN 6x28 (24404)	3603J023	PİMD6X28	1	1	
10	49913522890	O'RING (28111)	3603J024	ORING	1	1	
11	499142131600	PTO SLECTION PLATE (204124)	3603J025	PTO SEÇİCİ PARÇA	1	1	
12	499142127900	BOLT M8x16 (20493)	3603J026	CİVATA M8X16	1	1	
13	499142131700	PTO CONTROL LEVER (122247)	3603J027	PTO KONTROL BRAKETİ	1	1	
14	499135238500	BALL (28265)	3603J028	BİLYA	1	1	
15	499135238400	SPRING (97199)	3603J029	YAY	1	1	
16	499142126500	OIL SEAL 20x30x7 (25107)	3603G003	ORING 20X30X7	1	1	
17	499142130200	PTO LEVER (381536)	3603J030	PTO ÜST KOLU	1	1	



ÇİFTÇEKER KUTUSU VE İLGİLİ PARÇALAR (4WD)

GRUP:- P-

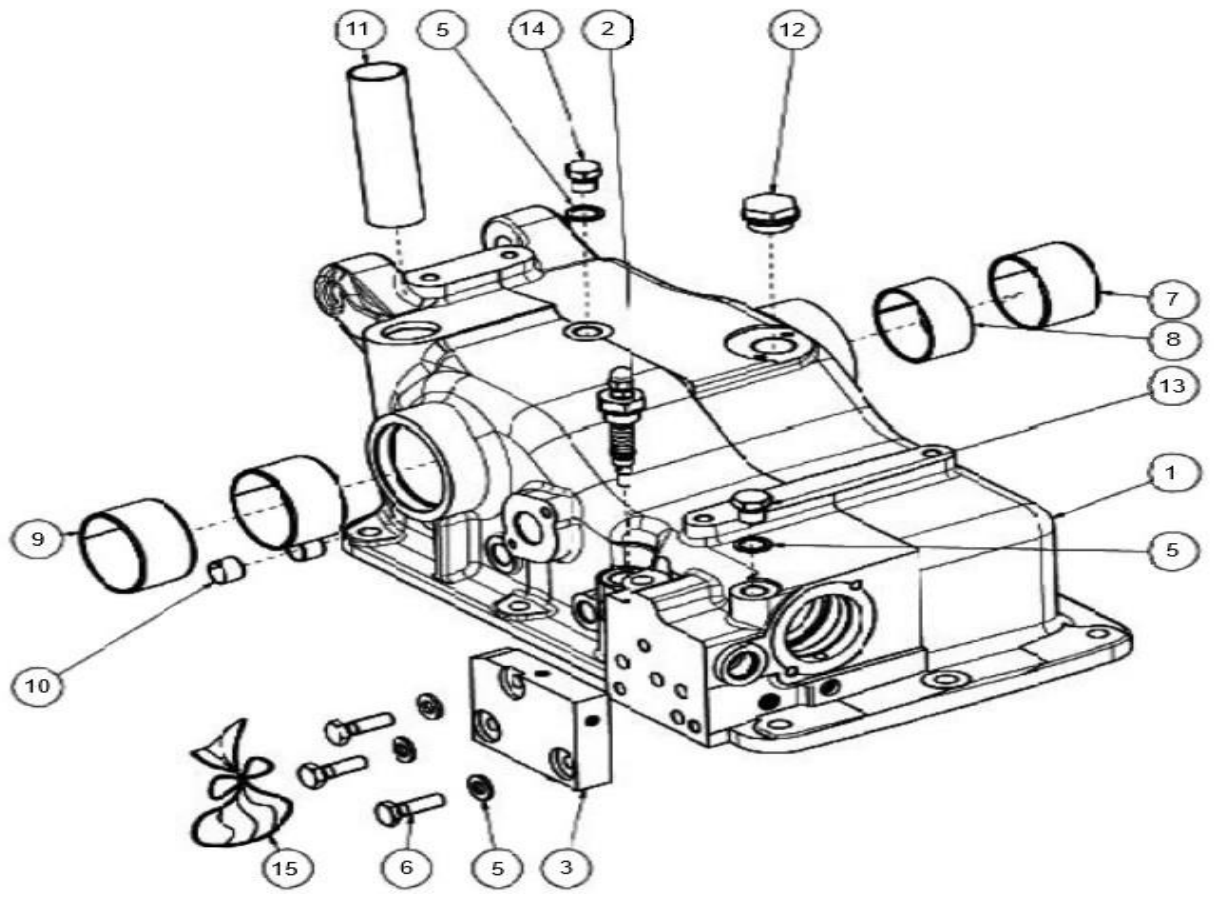
S. No.	PART NO.	PART NAME	PARÇA KODU	PARÇA ADI	ADET		AÇIKLAMA
					6000	7500	
					4WD	4WD	
1	487623100200	SNAP RING (25024)	3603K001	SEGMAN	1	1	
2	487623100300	BEARING (25857)	3603K002	RULMAN	1	1	
3	487623100400	SPACER (130827)	3603K003	ARA PUL	1	1	
4	487623100500	GEAR Z=57 (140161)	3603K004	DİŞLİ Z=57	1	1	
5	487623100600	O.RING (28604)	3603K005	ORING	1	1	
6	487623100700	BUSH (641926)	3603K006	BURÇ	1	1	
7	487623100800	O.RING (28131)	3603K007	ORING	1	1	
8	487623100900	NEEDLE BEARING (BY TENS) (28370)	3603K008	İĞNELİ RULMAN	1	1	
9	487623101000	SHAFT (138622)	3603K009	ÇİFTÇEKER İÇ DİŞLİ MİLİ	1	1	
10	487623101100	SLEEVE (372302)	3603K010	ÇİFTÇEKER DİŞLİSİ ARA MAŞON	1	1	
11	487623101200	SPRING (125209)	3603K011	ÇİFTÇEKER İÇ DİŞLİ YAYI	6	6	
12	487623101300	WASHER (125203)	3603K012	PUL	1	1	
13	487623101400	SNAP RING D42 (24797)	3603K013	SEGMAN 42	1	1	
14	487623101500	BEARING (25808)	3603D005		1	1	
15	487623101600	SEAL RING (126880)	3603K014	KEÇE YÜZÜĞÜ	1	1	
16	487623101700	BOLT M12x1.75x30 (126921)	3603K015	CİVATA M12X1.75X30	4	4	
17	487623101800	BOLT M8x20 (127920)	3305M012	KİLİTLEME CİVATASI M8X20	7	7	
18	487623101900	COVER (134946)	3603K016	4 ÇEKER KUTUSU YAN KAPAK	1	1	
19	487623102000	PLUG M22x1.5 (401316)	3603B006	TAPA M22X1.5	1	1	
20	487623102100	HOUSING (401302)	3603K017	ÇİFTÇEKER KUTUSU	1	1	
21	487623102200	O.RING (33029)	3603K018	ORING	2	2	
22	487623102300	VALVE (385740)	3603K019	ÇİFTÇEKER ARKA BURÇ VALFİ	1	1	
23	487623102400	SEAL RING (124118)	3603K020	KEÇE YÜZÜĞÜ	1	1	
24	487623102500	REAR COVER (134118)	3603K021	ÇİFTÇEKER KUTUSU ARKA KAPAK	1	1	
25	487623102600	BUSH (97191)	3603K022	ÇİFTÇEKER KUTUSU BURCU	2	2	
26	487623102700	PLUG (21559)	3603K023	TAPA	1	1	
27	487623102800	DROP BOX ASSY (149060)	3603K000	ÇİFTÇEKER KUTUSU KOMPLE	1	1	



ÇİFTÇEKER ŞAFTI VE İLGİLİ PARÇALAR (4WD)

GRUP:- P-

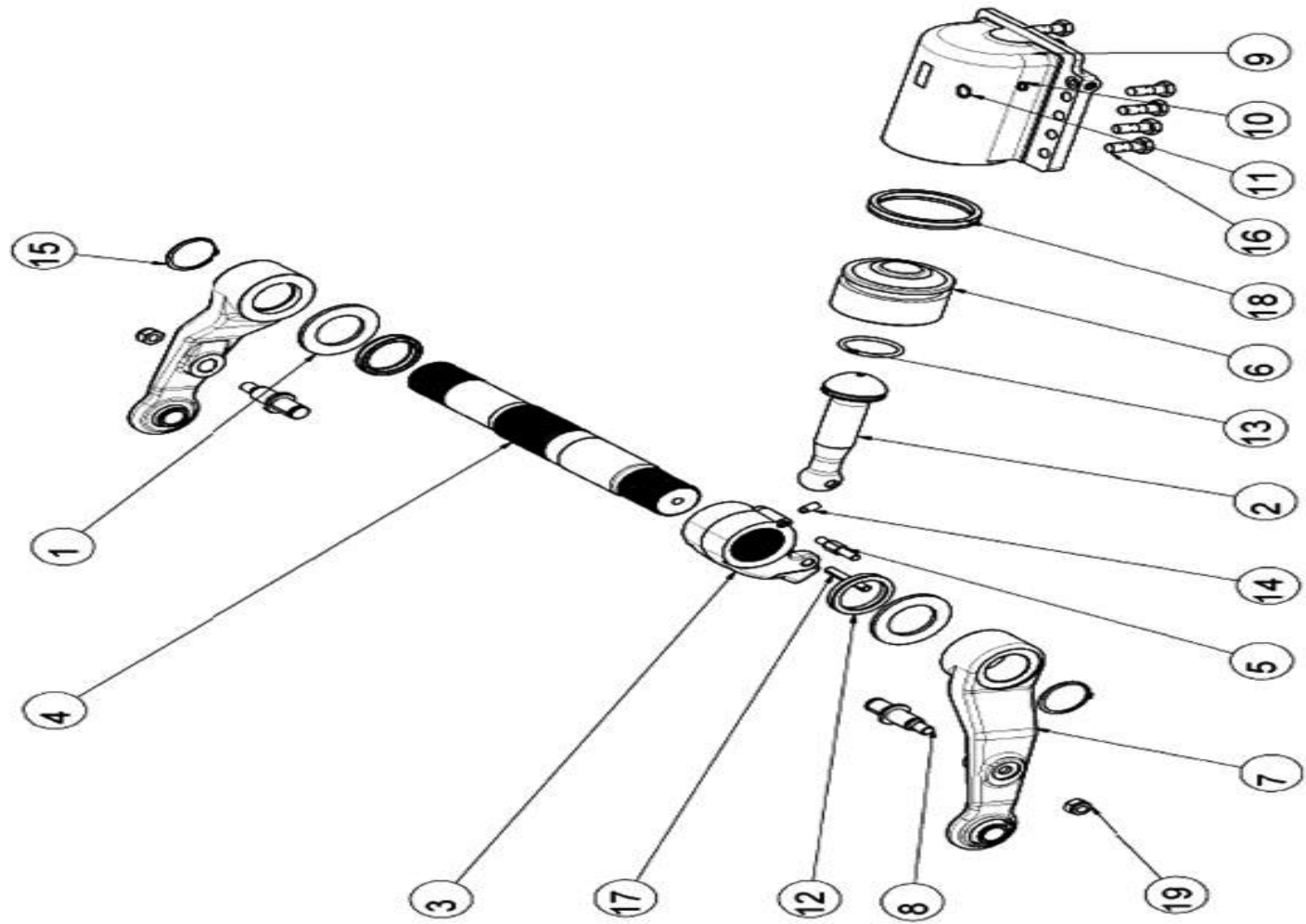
S. No.	PART NO.	PART NAME	PARÇA KODU	PARÇA ADI	ADET		AÇIKLAMA
					6000	7500	
					4WD	4WD	
1	445175613400	PROPELLOR SHAFT 4WD	3603M001	ÇİFTÇEKER ŞAFTI	1	1	
2	901501022020	HEX SCREW M10X1.25X25 GR.10.9	3603M002	ALTİGEN CİVATA M10X1.25X25	4	4	
3	901611000000	SPRING WASHER B-10	3602I023	YAYLI RONDELA M10	4	4	
4	445175613500	PROPELLOR GAURD ASSY.	3603M003	ÇİFTÇEKER ŞAFTI MUHAFAZA	1	1	
5	901500812032	HEX SCREWS M8X1.25X16 GR- 8.8	3603M004	ALTİGEN CİVATA M8X1.25X16	3	3	
6	901501212040	SCREW HEX-M12X20,GR 8.8	3606H037	ALTİGEN CİVATA M12X20 8.8	2	2	
7	901610800000	SPRING WASHER B-8	3602I022	YAYLI RONDELA	3	3	
8	901611200000	SPRING WASHER B-12	3302H002	RONDELA M12	2	2	



HİDROLİK KAPAK VE İLGİLİ PARÇALAR

GRUP:- P-

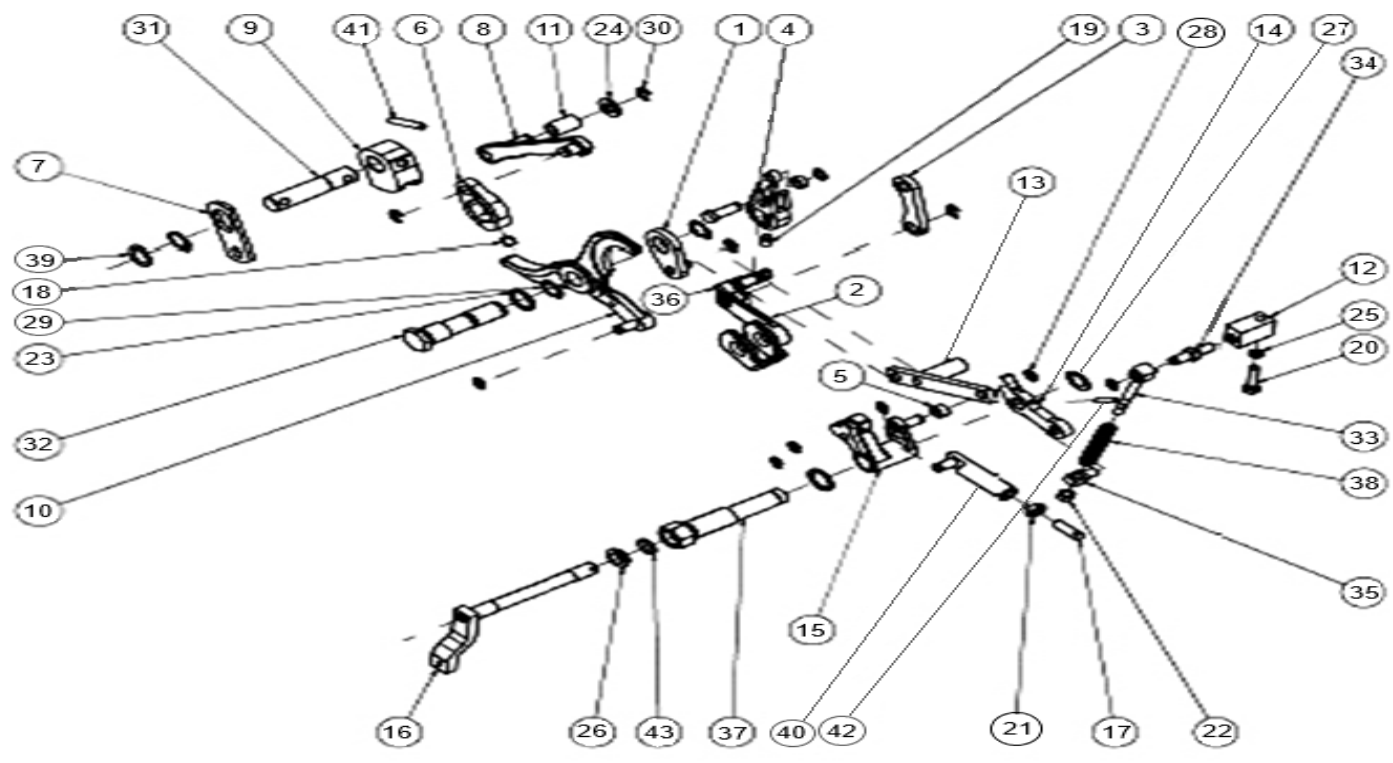
S. No.	PART NO.	PART NAME	PARÇA KODU	PARÇA ADI	ADET		AÇIKLAMA
					6000	7500	
					4WD	4WD	
1	499141134000	PREASSEMBLY BODY(12.0156.01.2)	3606A001	HİDROLİK KAPAK	1	1	
2	499141134100	KIT RELIFE VALVE (20.0005.05.2)	3606A002	EMNİYET VALFİ	1	1	
3	499141134200	CLOSING FLANGE(21.0035.01.4)	3606A003	HİDROLİK KAPAK BAĞLANTI FLANŞI	1	1	
4	499141134300	SCREW(30.0055.00.0)	3606A004	CİVATA	3	3	
5	499141134400	COPPER WASHER 17/23x1.5(32.0013.00.0)	3606A005	BAKIR PUL 17/23X1.5	2	2	
6	499141134500	CONIC WASHER 10/20x2.6(32.0030.00.0)	3606A006	KONİK PUL 10/20X2.6	3	3	
7	499141134600	BUSH (40.0002.00.0)	3606A007	HİDROLİK KOL BURCU SOL KÜÇÜK İÇ	1	1	
8	499141134700	BUSH DU D55/60x30 (40.0003.00.0)	3606A008	HİDROLİK KOL BURCU SOL BÜYÜK DIŞ	1	1	
9	499141134800	BUSH (40.0004.00.0)	3606A009	HİDROLİK KOL BURCU SAĞ BÜYÜK	2	2	
10	499141134900	BUSH (40.0005.00.0)	3606A010	HİDROLİK KOL BURCU SAĞ KÜÇÜK	2	2	
11	499141135000	BUSH (40.0387.00.0)	3606A011	HİDROLİK KAPAK BURCU ÜST	1	1	
12	499141135100	PLUG 3/4G (44.0004.00.0)	3606A012	TAPA 3/4G	1	1	
13	499141135200	PLUG (44.0018.00.0)	3606A013	TAPA	1	1	
14	499141121200	PLUG M16x1,5 ISO 6149 (44.0266.00.0)	3606A014	TAPA M16X1.5	1	1	
15	499141135300	HYDR. LIFT SEAL KIT (95.0038.01.4)	3606A015	HİDROLİK KAPAK TAMİR TAKIMI	1	1	



HİDROLİK PİSTON VE İLGİLİ PARÇALAR

GRUP:- P-

S. No.	PART NO.	PART NAME	PARÇA KODU	PARÇA ADI	ADET		AÇIKLAMA
					6000	7500	
					4WD	4WD	
1	499141135400	RING (130001070)	3606B001	PUL	1	1	
2	499141135500	LINK (130001040)	3606B002	BAĞLANTI ÇUBUĞU	1	1	
3	499141135600	CRANK (130001050)	3606B003	HİDROLİK KALDIRAÇ (KEPÇE)	1	1	
4	499141135700	SHAFT (130001060)	3606B004	KALDIRMA MİLİ	3	3	
5	499141135800	PIN (340002000)	3606B005	PİM	2	2	
6	499141135900	PISTON (130023020)	3606B006	HİDROLİK PİSTON	3	3	
7	499141136000	LIFT ARM (130080082)	3606B007	HİDROLİK FREZELİ KALDIRMA KOLU YAN	1	1	
8	499141136100	PIN (340302000)	3606B008	PİM	1	1	
9	499141136200	CYLINDER (130034012)	3606B009	HİDROLİK GÖMLEK	2	2	
10	499141136300	WASHER (320146000)	3606B010	ORING	2	2	
11	499141136400	OR 114 d=15.54x2.62 Sh90 (360119000)	3606B011	HİDROLİK GÖMLEK CİVATASI	1	1	
12	499141136500	BALSELE 55/70x8-10 (360015000)	3606B012	HİDROLİK KALDIRMA KOLU SEGMANI	1	1	
13	499141136600	OR 6212 d=53.34x5.34 Sh70/80 (360014000)	3606B013	HİDROLİK KALDIRMA KOLU PULU	1	1	
14	499141136700A	NUT M10x20 UNI 5925 (300009000)	3606B014	SOMUN	1	1	
15	499141136700	SEEGER E55 UNI7435 (330001000)	3606B015	HİDROLİK KALDIRMA KOLU SEGMANI	1	1	
16	499141136800	SCREW M14x35 UNI5739 8.8 (300008000)	3606B016	CİVATA	8	8	
17	499141136900	ELASTIC PIN d=10x65 UNI 687 (380003000)	3606B017	ELASTİK PİM D10X65	1	1	
18	499141137000	BALSELE 95/110x12.5 (360092000)	3606B018	HİDROLİK PİSTON LASTİĞİ	1	1	
19	499141137100	HEX NUT M14x1.5 DIN9 (310034000)	3606B019	ALTİGEN CİVATA M14X1.5	2	2	



HİDROLİK İÇ KONTROL VE İLGİLİ PARÇALAR

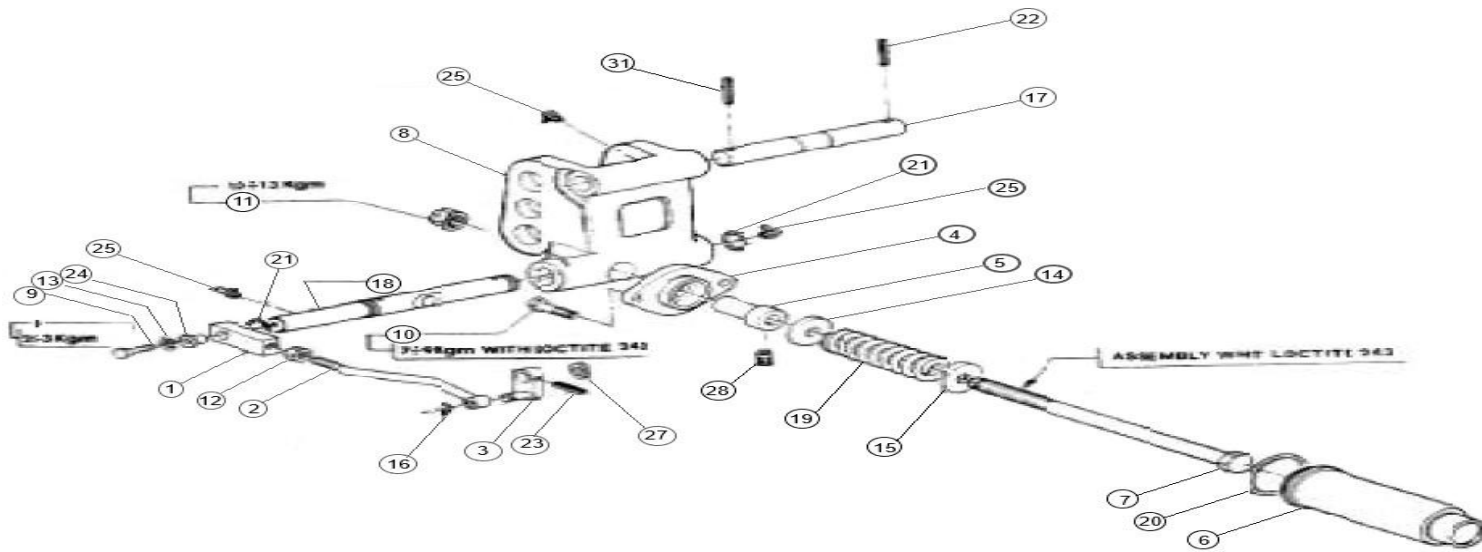
GRUP:- P-

S. No.	PART NO.	PART NAME	PARÇA KODU	PARÇA ADI	ADET		AÇIKLAMA
					6000	7500	
					4WD	4WD	
1	499141137200	LEVER(14.0001.04.2)	3606C001	KELEPÇE	1	1	
2	499141137300	POSITION CAM WITH PIN (14.0001.05.2)	3606C002	POZİYON PİMİ	1	1	
3	499141137400	LINK (14.0001.06.0)	3606C003	BAĞLANTI	1	1	
4	499141137500	CONNECTING ROD (14.0001.07.2)	3606C004	BAĞLANTI ROTU	1	1	
5	499141137600	ROLLER (14.0001.08.0)	3606C005	MAKARA	1	1	
6	499141137700	LINK (14.0001.09.0)	3606C006	BAĞLANTI BRAKETİ	1	1	
7	499141137800	LINK (14.0001.11.0)	3606C007	BAĞLANTI BRAKETİ	1	1	
8	499141129000	PLATE (14.0004.10.2)	3606C008	PLEYT	1	1	
9	499141129100	CAM (14.0009.12.0)	3606C009	KAM MİLİ	1	1	
10	499141129200	COMPENSATOR (14.0010.01.2)	3606C010	DENGELEYİCİ BRAKET	1	1	
11	499141129300	ROLLER (14.0018.08.0)	3606C011	MAKARA	1	1	
12	499141129400	SUPPORT PLATE (14.0026.15.0)	3606C012	SAPORT PLEYTİ	1	1	
13	499141137900	END STROKE TIE ROD (14.0033.03.3)	3606C013	PLEYT	1	1	
14	499141129600	LEVER (14.0040.02.0)	3606C014	HİDROLİK İÇ KALDIRMA KÜTÜĞÜ	1	1	
15	499141129700	LEVER ASSY (14.0041.02.2)	3606C015	HİDROLİK İÇ KALDIRMA KÜTÜĞÜ	1	1	
16	499141129800	LEVER ASSY (14.0055.15.3)	3606C016	HİDROLİK İÇ KALDIRMA KÜTÜĞÜ	1	1	
17	499141129900	SCREW (30.0010.00.0)	3606C017	CİVATA	1	1	
18	499141138000	SCREW M8x8 UNI 5929 (30.0012.00.0)	3606C018	CİVATA M8X8	1	1	
19	499141138100	SCREW M8x12 UNI 5925 (30.0046.00.0)	3606C019	CİVATA M8X12	1	1	
20	499141138200	SCREW	3606C020	CİVATA	1	1	
21	499141138300	NUT (31.0003.00.0)	3606C021	SOMUN	1	1	
22	499141138400	NUT (31.0004.00.0)	3606C022	SOMUN	1	1	
23	499141130500	WASHER (32.0002.00.0)	3606C023	PUL	2	2	

HİDROLİK İÇ KONTROL VE İLGİLİ PARÇALAR

GRUP:- P-

S. No.	PART NO.	PART NAME	PARÇA KODU	PARÇA ADI	ADET		AÇIKLAMA
					6000	7500	
					4WD	4WD	
24	499141130600	WASHER D10.5 UNI6592 (32.0004.00.0)	3606C024	PUL	1	1	
25	499141138500	GROWER D=6.1 DIN 7980 ZN (32.0017.00.0)	3606C025	GROVER RONDELASI	1	1	
26	499141138600	WASHER (32.0141.00.0)	3606C026	PUL	1	1	
27	499141138700	SEEGER E15 (33.0002.00.0)	3606C027	PUL	1	1	
28	499141138800	SEEGER RS 6 DIN 6799 (28 33.0003.00.0)	3606C028	SEGMAN	7	7	
29	499141138900	SEEGER E16 UNI7435 (33.0004.00.0)	3606C029	PUL	3	3	
30	499141139000	SEEGER RS 7 DIN 6799 (33.0005.00.0)	3606C030	SEGMAN	3	3	
31	499141139100	PIN (34.0014.00.0)	3606C031	PİM	1	1	
32	499141139200	PIN (34.0171.00.0)	3606C032	PİM	1	1	
33	499141139300	PIN GUIDE SPRING (34.0260.00.0)	3606C033	YAY	1	1	
34	499141139400	PIN (34.0272.00.0)	3606C034	PİM	1	1	
35	499141139500	PIN (34.0342.00.0)	3606C035	PİM	1	1	
36	499141139600	STROKE ASSORBER (34.0379.00.2)	3606C036	STROK EMİCİ	1	1	
37	499141139700	PIN (34.0408.00.0)	3606C037	PİM	1	1	
38	499141124000	SPRING (35.0086.00.0)	3606C038	YAY	1	1	
39	499141124100	OR Di15.88 T2.62 Sh 70 (36.0069.00.0)	3606C039	PUL	1	1	
40	499141124200	PIN D6x35 UNI 6873 (38.0004.00.0)	3606C040	PİM	1	1	
41	499141124300	PIN D6x35 UNI 6873 (38.0004.00.0)	3606C041	PİM	1	1	
42	499141124400	PIN D4x24 (38.0045.00.0)	3606C042	PİM	1	1	
43	499141124500	SEAL O-RING (75.0614.00.0)	3606C043	ORING	1	1	



HASSASİYET MİLİ VE İLGİLİ PARÇALAR

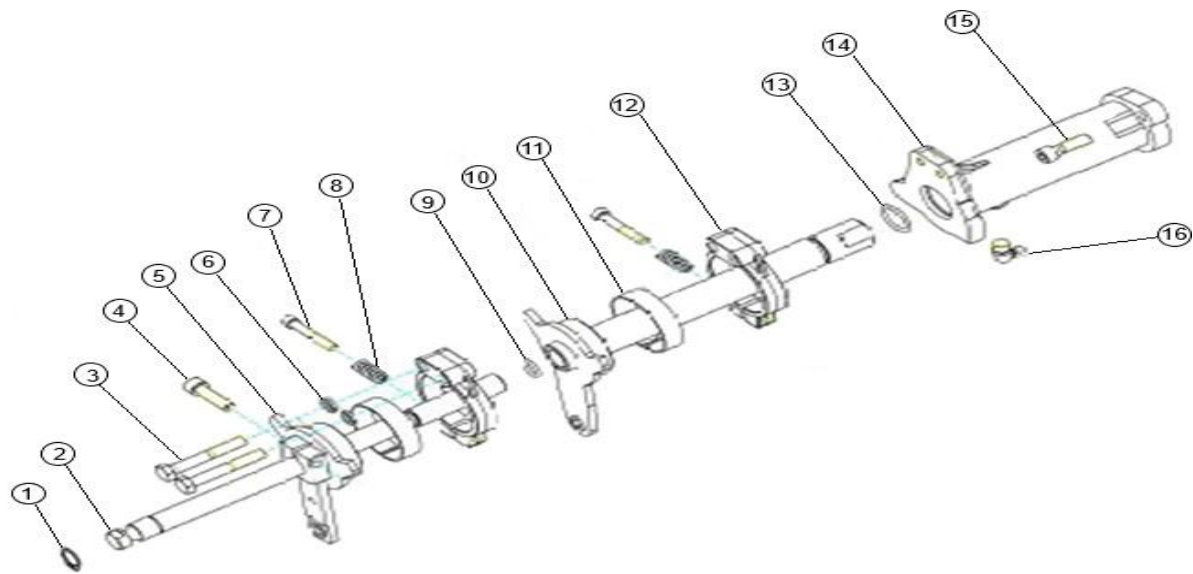
GRUP:- P-

S. No.	PART NO.	PART NAME	PARÇA KODU	PARÇA ADI	ADET		AÇIKLAMA
					6000	7500	
					4WD	4WD	
1	499141124600	PLATE (150001080)	3606D001	PLEYT	1	1	
2	499141124700	LEVER (150001102)	3606D002	HASSASİYET YAYI MİLİ ÇUBUĞU	1	1	
3	499141124800	ROLLER (150014050)	3606D003	HASSASİYET YAYI ÇUBUĞU	1	1	
4	499141124900	FLANGE (150008060)	3606D004	FLANŞ	1	1	
5	499141125000	TIE ROD (150011042)	3606D005	BURÇ	1	1	
6	499141125100	SPRING COVER (150014030)	3606D006	HASSASİYET YAYI KAPAĞI	1	1	
7	499141125200	SUPPORT (150030010)	3606D007	HASSASİYET YAYI ÇUBUĞU	1	1	
8	499141125300	TIE ROD (150053090)	3606D008	3. NOKTA ASKI SİSTEMİ BRAKETİ	1	1	
9	499141125400	SCREW M8X35 D1N 931-BG (300007000)	3606D009	CİVATA M8X35	1	1	
10	499141125500	SCREW M12x30 D1N933-8G (300013000)	3606D010	CİVATA M12X30	2	2	
11	499141125600	NUT M10 – 8G (310005000)	3606D011	SOMUN M10	1	1	
12	499141125700	NUT M16x1,5 DIN982 (310031000)	3606D012	SOMUN M16X1X5	1	1	
13	499141125800	LOCKWASHER D8.1 DIN7980 (320001000)	3606D013	KİLİTLEME PULU	1	1	
14	499141125900	WASHER (320132000)	3606D014	PUL	2	2	
15	499141126000	SEGER RS7 (330005000)	3606D015	HASSASİYET YAYI ÇUBUĞU PULU	1	1	
16	499141126100	PIN (340015000)	3606D016	PİM	1	1	
17	499141126200	PIN (340248000)	3606D017	PİM	1	1	
18	499141126300	SPRING (350083000)	3606D018	HASSASİYET YAYI MİLİ	1	1	
19	499141126400	OR 3200 D50,47x2,62 Sh70/80 (360018000)	3606D019	HASSASİYET YAYI	1	1	
20	499141126500	OR 4093 D23Ax3,53 Sh70/80 (360043000)	3606D020	ORING 23X3,53	2	2	

HASSASİYET MİLİ VE İLGİLİ PARÇALAR

GRUP:- P-

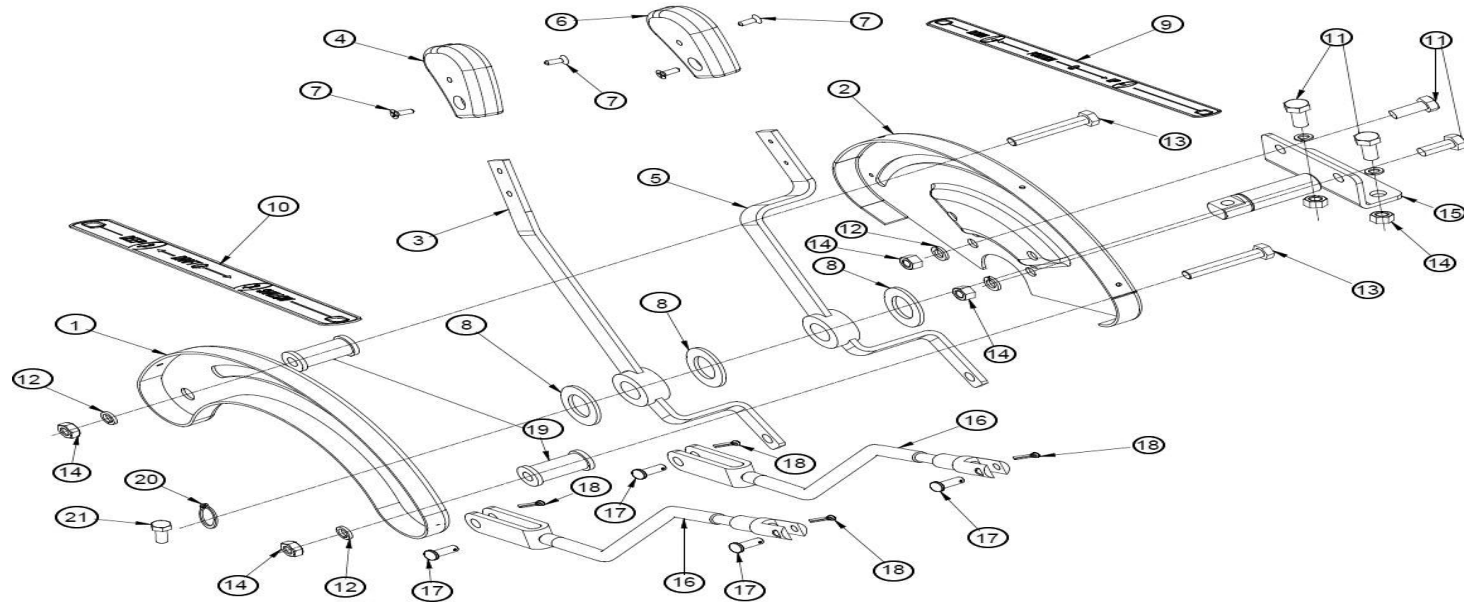
S. No.	PART NO.	PART NAME	PARÇA KODU	PARÇA ADI	ADET		AÇIKLAMA
					6000	7500	
					4WD	4WD	
21	499141126600	ELASTIC FIN D6x35 DIN1481 (380004000)	3606D021	ORING	2	2	
22	499141126700	ELAST1C FIN D6x25 DIN1481 (380005000)	3606D022	PİM	1	1	
23	499141126800	BUSH D8/20x19 (400025000)	3606D023	PİM D8X20	1	1	
24	499141126900	FITTING 45°M10x1 (420001000)	3606D024	HASSASİYET MİLİ BURCU	1	1	
25	499141127000	FITTING M10x1 (420002000)	3606D025	GRESÖRLÜK M10X1	1	1	
26	499141127100	FITTING 90° M10x1-GREASE NIPPLE (420009000)	3606D026	GRESÖRLÜK M10X1	1	1	
27	499141127200	WASHER 16,15/24,8x0,5-Zn (320023000)	3606D027	PUL	1	1	
28	499141127300	SCREW M8x8 (300204000)	3606D028	CİVATA M8X8	1	1	



HİDROLİK KADRAN VE İLGİLİ PARÇALAR

GRUP:- P-

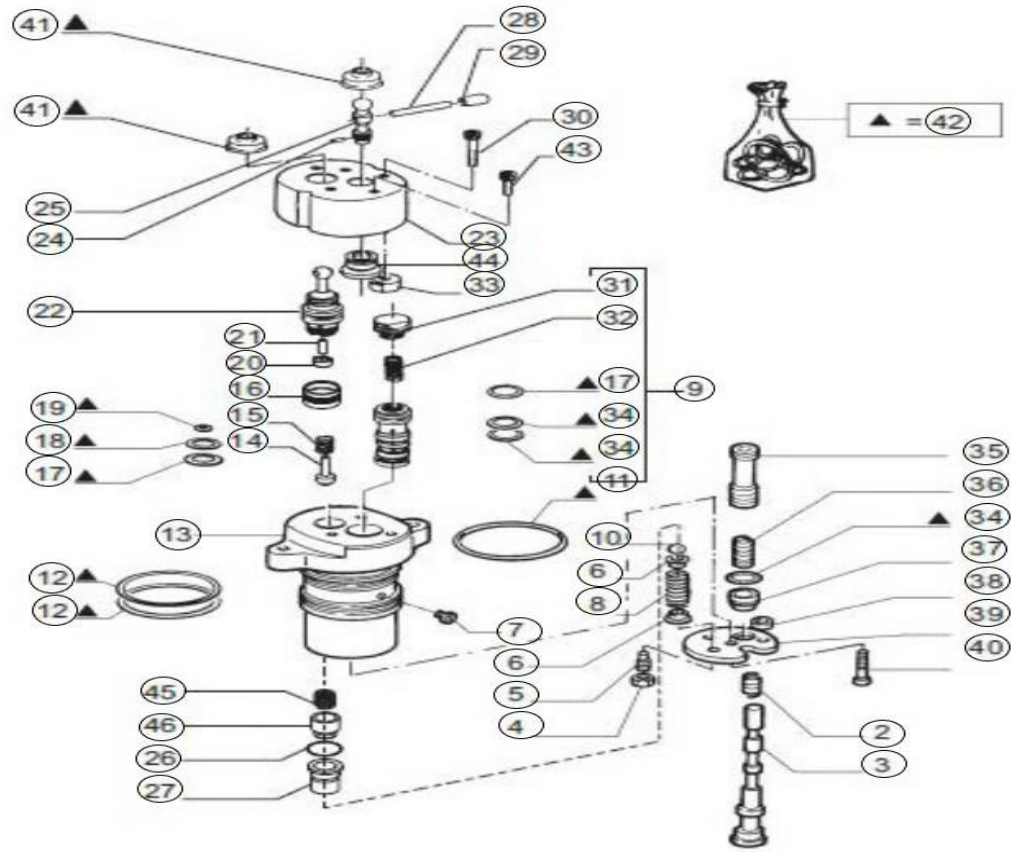
S. No.	PART NO.	PART NAME	PARÇA KODU	PARÇA ADI	ADET		AÇIKLAMA
					6000	7500	
					4WD	4WD	
1	499141127400	SEGER E16 UNI7435 (330004000)	3606E001		1	1	
2	499141127500	SHAFT (160054090)	3606E002		1	1	
3	499141127600	SCREW TE M8x55 U5931 8G ZN (300015000)	3606E003		2	2	
4	499141127700	SCREW TCEI M8x30 U5931 8G ZN (300069000)	3606E004		1	1	
5	499141127800	POSITION LEVER (160054083)	3606E005		1	1	
6	499141127900	GROWER D=8.1 DIN7980 UNI7323 ZN (320001000)	3606E006		4	4	
7	499141128000	SCREW TCEI M6x40 U5931 8G ZN (300014000)	3606E007		2	2	
8	499141128100	SPRING (350008000)	3606E008		2	2	
9	499141128200	OR 3043 d=10.77x2.62 Sh70/80 (360013000)	3606E009		1	1	
10	499141128300	DRAFT LEVER WITH SHAFT (160106043)	3606E010		1	1	
11	499141128400	FRICTION (160001030)	3606E011		1	1	
12	499141128500	CLUTCH HUB (160001020)	3606E012		2	2	
13	499141128600	OR D=20.24xT2.62 70/75Sh (360020000)	3606E013		1	1	
14	499141128700	COMMAND SUPPORT (160038010)	3606E014		1	1	
15	499141128800	SCREW M8x25 UNI5931 8G (300073000)	3606E015		2	2	
16	499141128900	GREASE NIPPLE M10x1 (420009000)	3606E016		1	1	



HİDROLİK KADRAN VE İLGİLİ PARÇALAR 2

GRUP:- P-

S. No.	PART NO.	PART NAME	PARÇA KODU	PARÇA ADI	ADET		AÇIKLAMA
					6000	7500	
					4WD	4WD	
1	445175617600	SECTOR PLATE 90 HP	3606E017		1	1	
2	423545400400	DRAFT SECTOR 1800 KG	3606E018		1	1	
3	445175617700	DRAFT LEVER ASSY 90 HP	3606E019	HİDROLİK KADRAN DERİNLİK KOLU	1	1	
4	499145419900	KNOB DRAFT LEVER RED COLOR	3606E020	HİDROLİK KADRAN DERİNLİK KOLU TOPUZU	1	1	
5	445175617800	POSITION LEVER ASSY 90 HP	3606E021	HİDROLİK KADRAN POZİSYON KOLU	1	1	
6	445175611200	KNOB POSITION LEVER BLACK COLOR	3606E022	HİDROLİK KADRAN POZİSYON KOLU TOPUZU	1	1	
7	901710412020	TRUSS HEAD MACHINE SCREW M4X10	3606E023		4	4	
8	499145320400	WASHER 18X35X3.0 MM (NYLON)	3606E024		3	3	
9	423545400800	STRIP POSITION	3606E025		1	1	
10	423545400900	STRIP DRAFT	3606E026		1	1	
11	901550812031	HEX FLANGE SCREW M8X15	3606E027		4	4	
12	901610800000	SPRING WASHER B-8.	3602I022	YAYLI RONDELA	6	6	
13	901100812120	HEX SCREW M8X60	3503A336		2	2	
14	901200810000	HEX NUT M8	3311A094	SOMUN M8	6	6	
15	445175617900	SUPPORT SIDE COVER ASSY	3606E028	HİDROLİK KADRAN SAPORTU	1	1	
16	445175616400	TIE ROD ASSY POSITION	3606E029	HİDROLİK KADRAN POZİSYON ALT BAĞLANTI ÇUBUĞU	2	2	
17	423573400600	LINK PIN 8.0	3606E030		4	4	
18	900400200250	SPLIT PIN Ø2X25	3606E031	YARIKLI PİM D2X25	4	4	
19	423545402900	SPACER SLEEVE (NYLON)	3606E032	HİDROLİK KADRAN KOLU ARA MAŞON	4	4	
20	930018120100	EXTERNAL CIRCLIP A-18	3606E033	RONDELA A18	1	1	
21	901500812040	HEX. SCREW M8x20	3304K001		1	1	



HİDROLİK BEYİN VE İLGİLİ PARÇALAR

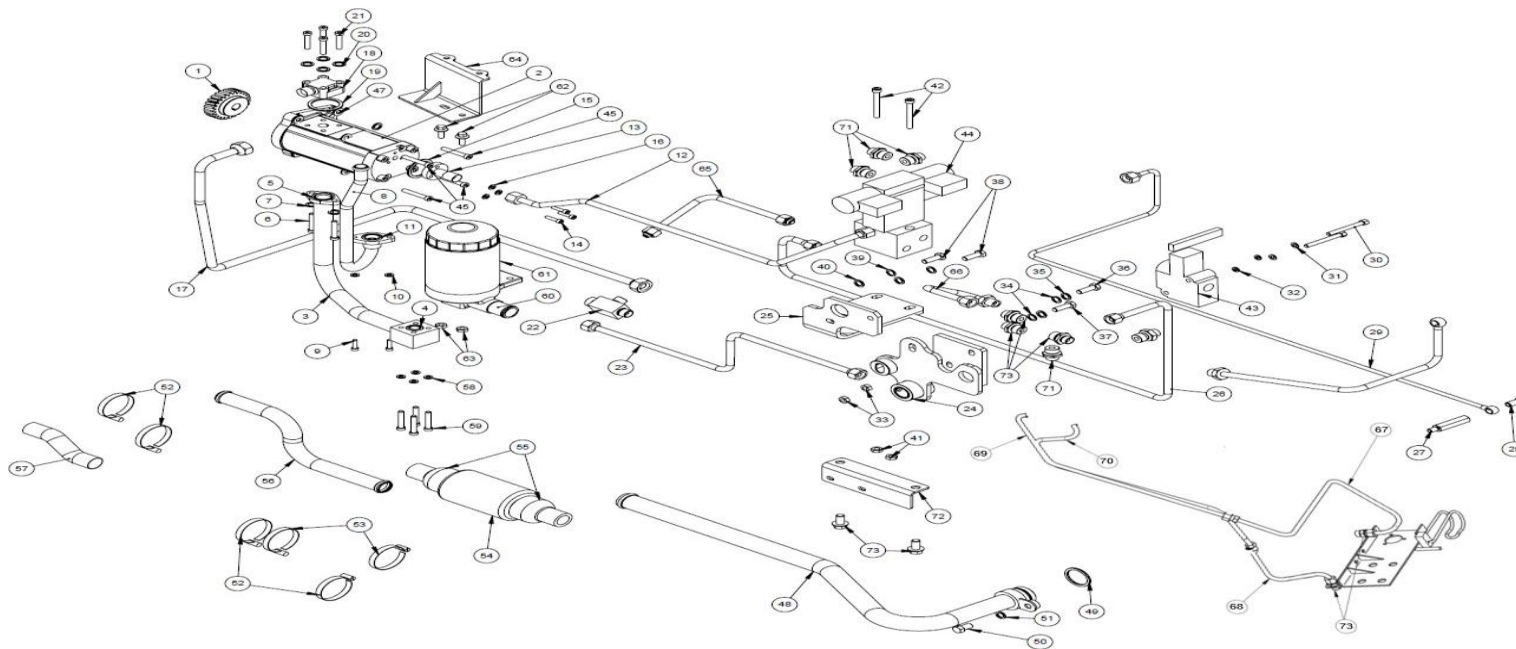
GRUP:- P-

S. No.	PART NO.	PART NAME	PARÇA KODU	PARÇA ADI	ADET		AÇIKLAMA
					6000	7500	
					4WD	4WD	
1	499142119900	MAIN DISTRIBUTOR VALVE (45295)	3606F001		1	1	
2	499142120000	SPRING (46401)	3606F002		1	1	
3		NOT SERVED	3606F003		1	1	
4	499142129200	NUT M8 (46571)	3606F004		1	1	
5	499142120100	DOWEL M8x20 (46402)	3606F005		2	2	
6	499142120200	SPRING HOLDER (48329)	3606F006		4	4	
7	499142120300	SCREW (46403)	3606F007		1	1	
8	499142120400	SPRING D14.5x38 (46569)	3606F008		2	2	
9	499142120500	COMPLETE VALVE ASSEMBLY (48590)	3606F009		1	1	
10	499142129600	BALL 5/16 (262908)	3606F010		2	2	
11	499142120600	O' RING (46730)	3606F011		1	1	
12	499142120700	O' RING (46405)	3606F012		1	1	
13		NOT SERVED	3606F013		1	1	
14	499142120800	VALVE (46406)	3606F014		1	1	
15	499142120900	SPRING (46407)	3606F015		1	1	
16	499142121000	VALVE SEAT (46408)	3606F016		1	1	
17	499142121100	O' RING (28531)	3606F017		3	3	
18	499142121200	O' RING (46721)	3606F018		1	1	
19	499142121300	O' RING (46720)	3606F019		1	1	
20	499142121400	VALVE (46409)	3606F020		1	1	
21	499142121500	PIN (46410)	3606F021		1	1	
22	499142121600	VALVE ASSEMBLY (483530)	3606F022		1	1	
23	499142121700	COVER (46883)	3606F023		1	1	

HİDROLİK BEYİN VE İLGİLİ PARÇALAR

GRUP:- P-

S. No.	PART NO.	PART NAME	PARÇA KODU	PARÇA ADI	ADET		AÇIKLAMA
					6000	7500	
					4WD	4WD	
24	499142121800	PIN (46885)	3606F024		1	1	
25	499142121800	LEVER (46886)	3606F025		1	1	
26	499142121900	O' RING (48594)	3606F026		1	1	
27	499142122000	VALVE SEAT (262904)	3606F027		1	1	
28	499142122100	PIN (24485)	3606F028		1	1	
29	499142122200	HANDLER (122385)	3606F029		1	1	
30	499142129300	BOLT SOCKET M6x25 (21375)	3606F030		1	1	
31	499142122300	PLUG (48591)	3606F031		1	1	
32	499142122400	SPRING (46415)	3606F032		1	1	
33	499142122500	BUSH (46888)	3606F033		1	1	
34	499142122500	O' RING (46735)	3606F034		3	3	
35		NOT SERVED	3606F035		1	1	
36	499142122600	SPRING (46416)	3606F036		1	1	
37	499142122700	PLUG (46417)	3606F037		1	1	
38	499142122800	SHIM (46418)	3606F038		1	1	
39	499142122900	PLATE (46419)	3606F039		1	1	
40	499142129400	SCREW T.C.E.I. M6x18	3606F040		3	3	
41	499142123000	BOOTH (46558)	3606F041		1	1	
42	499142123100	GASKET KIT (46421)	3606F042		1	1	
43	499142123200	SCREW (21362)	3606F043		1	1	
44	499142123300	BUSH (48592)	3606F044		1	1	
45	499142123400	SPRING (46962)	3606F045		1	1	
46	499142123500	VALVE (262906)	3606F046		1	1	



HİDROLİK POMPA VE İLGİLİ PARÇALAR

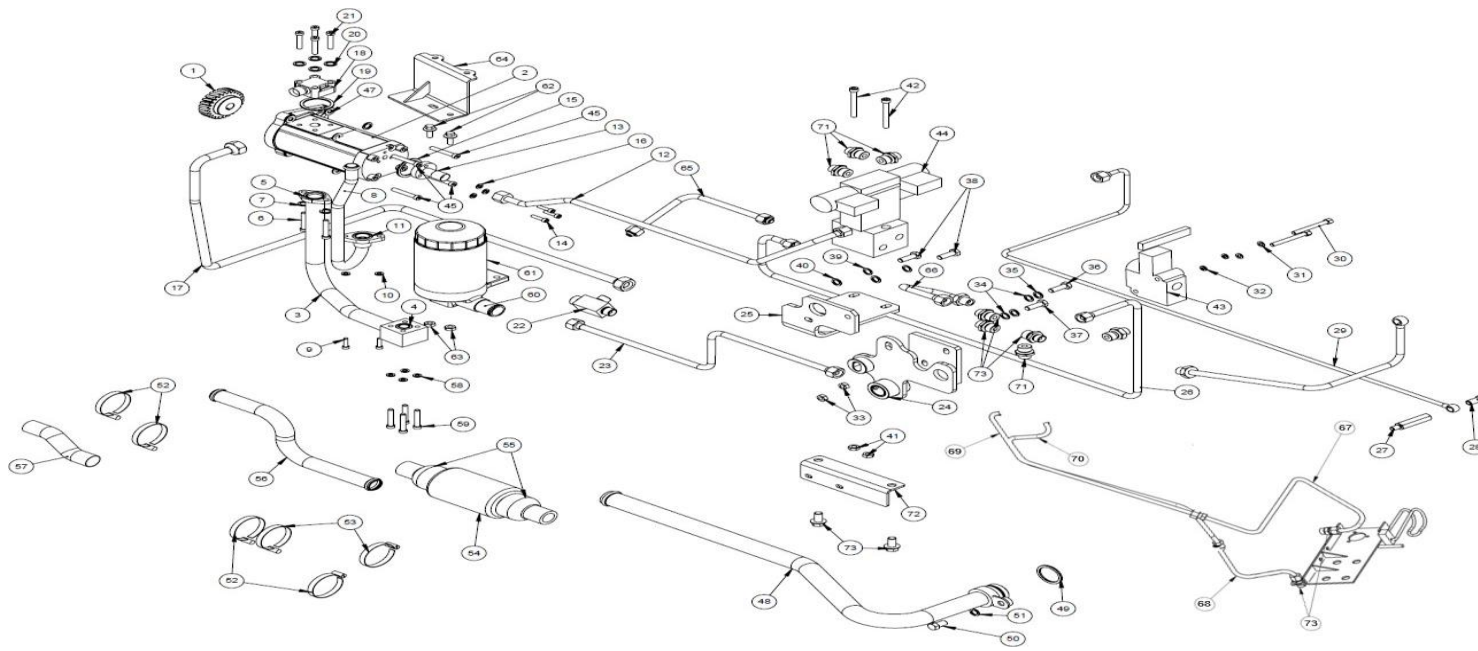
GRUP:- P-

S. No.	PART NO.	PART NAME	PARÇA KODU	PARÇA ADI	ADET		AÇIKLAMA
					6000	7500	
					4WD	4WD	
1	487694400900	TANDEM GEAR	3606H001	HİDROLİK TANDEM POMPA DIŞLİSİ	1	1	
2	487669100100	TANDEM PUMP 75 HP SIMPSON ENGINE	3606H002	HİDROLİK TANDEM POMPA SIMPSON 75HP	1	1	
3	487648401600	PIPE 1 (SUCTION); HYDRAULIC	3606H003	HİDROLİK EMİŞ BORUSU 1	1	1	
4	487648410200	O'RING (Ø20.29XØ2.62)	3606H004		1	1	
5	487648400100	O RING 23.47X2.62	3606H005		1	1	
6	901510820040	SOCKET BUTTON HEAD ALLEN SCREW M8X20	3606H006		2	2	
7	901610800000	SPRING WASHER B-8	3602I022	YAYLI RONDELA	2	2	
8	487648401500	PIPE (SUCTION); POWER STEERING	3606H008	HİDROLİK EMİŞ BORUSU DANFOZ	1	1	
9	901510613040	SCREW ALLEN M6X20	3606H009		2	2	
10	901610600000	SPRING WASHER B-6.	3606H010		2	2	
11	487648400100	O RING 23.47X2.62	3606H005		1	1	
12	487648401300	DELIVERY PIPE; TENDUM TO PS UNIT	3606H011	DAĞITIM BORUSU 1	1	1	
13	487648400300	DELIVERY ADOPTER (PS)-1	3606H012		1	1	
14	901510613040	SCREW ALLEN M6X20	3606H009		3	3	
15	445048102600	O RING DELIVERY ADAPTOR	3606H013		1	1	
16	901610600000	SPRING WASHER B-6.	3606H010		3	3	
17	487648401800	PIPE TANDEM TO TRAILER BRAKE VALVE	3606H014	BORU (TANDEM POMPA -FREN VALFİ ARASI)	1	1	
18	487648400200	DELIVERY ADOPTER (HYD.)	3606H015	DİREKSİYON POMPASI ADAPTÖRÜ	1	1	
19	487648410200	O'RING (Ø20.29XØ2.62)	3606H004		1	1	

HİDROLİK POMPA VE İLGİLİ PARÇALAR

GRUP:- P-

S. No.	PART NO.	PART NAME	PARÇA KODU	PARÇA ADI	ADET		AÇIKLAMA
					6000	7500	
					4WD	4WD	
20	901610800000	SPRING WASHER B-8	3602I022	YAYLI RONDELA	4	4	
21	901110810090	BOLT ALLEN-M8X45-GR-12.9	3606H016		4	4	
22	487676404900	T-CONNECTOR HYD. DELIVERY	3606H017		1	1	
23	487648402100	PIPE ; TANDUM TO TRAILER BRAKE VALVE	3606H018		1	1	
24	487645300100	TRAILER MTG BRKT	3606H019		1	1	
25	487661100700	MTG BRKT MANIFOLD ASSY	3606H020	HİDROLİK GERİ DÖNÜŞ BORUSU BRAKETİ	1	1	
26	487642400500	RETURN PIPE; MANIFOLD TO T. MISSION	3606H021		1	1	
27	487642401500	ADOPTER MALE-FEMALE BSPP 1/8"-M12X1.25	3606H022		1	1	
28	901131232050	BANJO BOLT M12X1.25X25	3606H023		1	1	
29	487642400400	OUTLET PIPE; MANIFOLD TO 4WD DROPBOX	3606H024		1	1	
30	901100812140	HEX BOLT (M8X70)	3606H025		2	2	
31	901610800000	SPRING WASHER (M8)	3602I022	YAYLI RONDELA	2	2	
32	901600800000	PLAIN WASHER (M8)	3302B042	RONDELA M8	2	2	
33	901200810000	HEX NUT M8	3311A094	SOMUN M8	2	2	
34	901601200000	PLAIN WASHER (M12)	3606H026		4	4	
35	901611200000	SPRING WASHER B-12.	3302H002	RONDELA M12	4	4	
36	901501212070	SCREW HEX-M12X35 GR-8.8	3606H028	ALTİGEN CİVATA M12X1.75X35	1	1	
37	901501212080	HEX SCREW (M12X40)	3606H029		1	1	



HİDROLİK POMPA VE İLGİLİ PARÇALAR 2

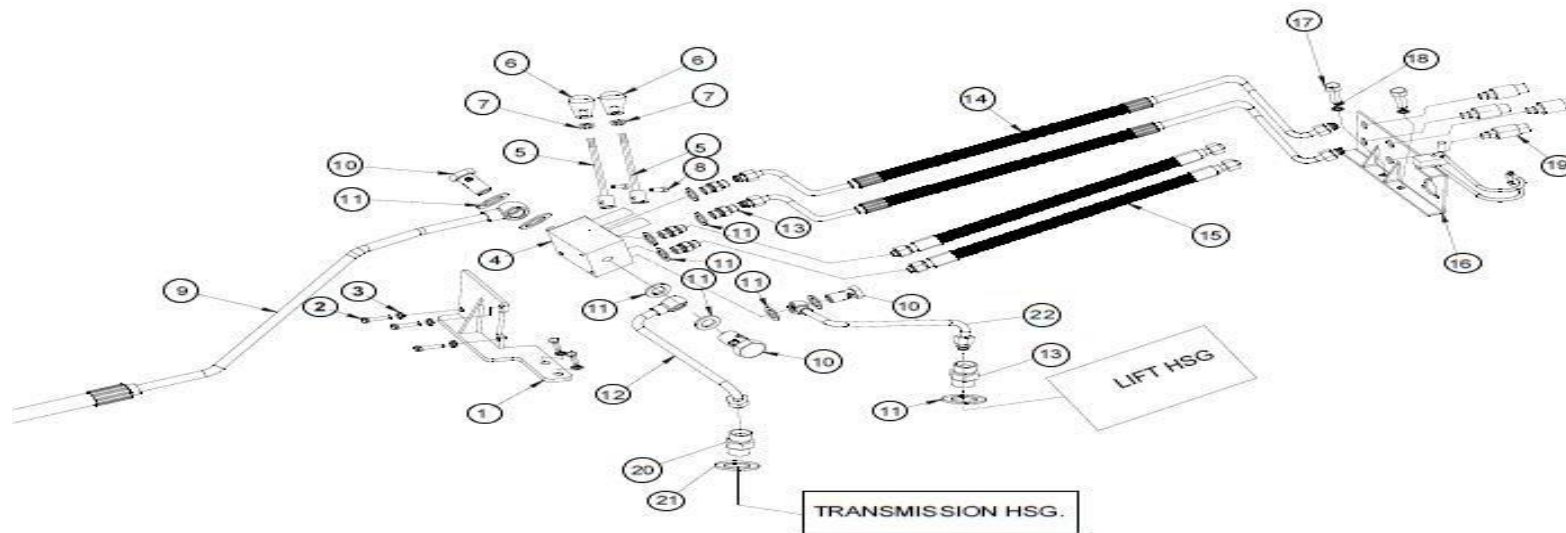
GRUP:- P-

S. No.	PART NO.	PART NAME	PARÇA KODU	PARÇA ADI	ADET		AÇIKLAMA
					6000	7500	
					4WD	4WD	
38	499142126600	BOLT M10x30 (127921)	3603G021	CİVATA M10X30	2	2	
39	901611000000	SPRING WASHER B-10	3602I023	YAYLI RONDELA M10	2	2	
40	901601000000	PLAIN WASHER (M10)	3302A033	RONDELA M10	2	2	
41	901200810000	HEX NUT M8	3311A094	SOMUN M8	2	2	
42	901110810160	BOLT ALLEN - M8X80-GR-12.9	3606H030		2	2	
43	466123216000	BRAKE VALVE (MPT)	3606H031	FREN VALFİ	1	1	
44	487642401000	MANIFOLD ASSY.- ELECTRO HYD.	3606H032	HİDROLİK SELENOİD	1	1	
45	901110810070	ALLEN BOLT M8X35	3606H033		4	4	
46	901501212050	HEX SCREW M12x25	3606H034		2	2	
47	901610800000	SPRING WASHER (M8)	3602I022	YAYLI RONDELA	4	4	
48	487676100100	SUCTION PIPE HSG SIDE	3606H035	HİDROLİK EMİŞ BORUSU 2 (H. KAPAĞA)	1	1	
49	487648122100	SUCTION PIPE O RING 90HP	3606H036		1	1	
50	901501212040	HEX BOLT M12X 20	3606H037	ALTİGEN CİVATA M12X20 8.8	1	1	
51	901611200000	SPRING WASHER B-12.	3302H002	RONDELA M12	1	1	
52	955400320450	WORM DRIVE HOSE CLAMP- 45A	3602K019	KELEPÇE D45	4	4	
53	955402500000	HOSE CLAMP 2.5''	3606H038		2	2	
54	466146121200	SUCTION STAINER (OUTSIDE)	3606H039	HİDROLİK FİLTRE SÜZGEÇİ KABİ	1	1	
55	487694403100	REDUCER HOSE (DIA 30-50)	3606H040		2	2	
56	487648401700	PIPE 2 (SUCTION); HYDRAULIC	3606H041	HİDROLİK EMİŞ BORUSU	1	1	

HİDROLİK POMPA VE İLGİLİ PARÇALAR 2

GRUP:- P-

S. No.	PART NO.	PART NAME	PARÇA KODU	PARÇA ADI	ADET		AÇIKLAMA
					6000	7500	
					4WD	4WD	
57	487648120000	HOSE SUCTION PIPE 90 HP	3606H042	HİDROLİK EMİŞ HORTUMU	1	1	
58	901610600000	SPRING WASHER (M6)	3606H010		4	4	
59	901510610100	ALLEN SCREW M6X50	3606H043		4	4	
60	445148100400	FILTER HEAD	3606H044		1	1	
61	445148100200	HYDRAULIC FILTER (60HP)	3606H045	HİDROLİK FİLTRE	1	1	
62	901550812050	HEX FLANGE SCREW M8X25	3302E047	FLANŞLI CİVATA M8X25	2	2	
63	901220800000	NYLOCK NUT 8MM (NEW SHEET METAL)	3302M008	FİBER SOMUN M8	2	2	
64	487661100600	HYD FILTER MTG BRKT	3606H046	HİDROLİK FİLTRE BAĞLANTI BRAKETİ	1	1	
65	487642400300	INLET PIPE ;MANIFOLD TO HYD PIPE T	3606H047		3	3	
66	487648402200	BRAKE VALVE PIPE U TYPE (PUMP SIDE)	3606H048		1	1	
67	487642400800	RETURN PIPE HSG. SIDE (75 HP)	3606H049		1	1	
68	487642400900	DELIVERY PIPE BRAKE VALVE TO TRAILER SIDE (75 HP)	3606H050		1	1	
69	487642400700	RETURN PIPE BRAKE VALVE SIDE (75 HP)	3606H051		1	1	
70	445148121300	TRAILER PIPE BRAKE VALVE SIDE	3606H052		1	1	
71	925091000100	CONNECTOR G3/8-M18X1.5	3606H053		4	4	
72	487666400500	TRAILER BRAKE WIRE HOLDING BKT-2	3606H054		1	1	
73	423552401600	STEERING TANK CONNECTOR	3606H055		5	5	



HİDROLİK BORULAR VE İLGİLİ PARÇALAR

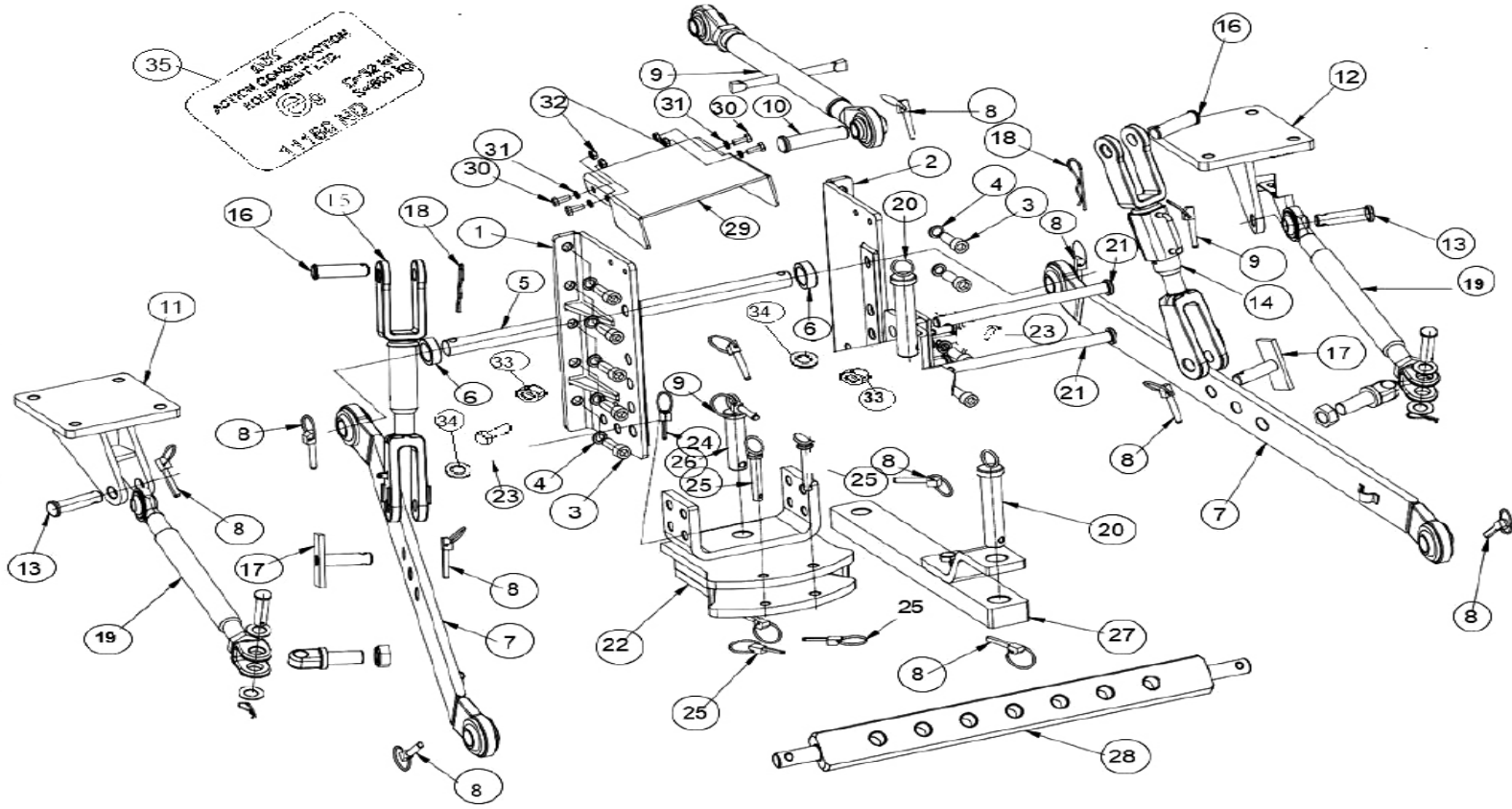
GRUP:- P-

S. No.	PART NO.	PART NAME	PARÇA KODU	PARÇA ADI	ADET		AÇIKLAMA
					6000	7500	
					4WD	4WD	
1	487632323500	MOUNTING BRACKET DCV	3606I001	DAMPER VALFİ BRAKETİ	1	1	487643319900
2	901100812120	HEX SCREW M8X60	3503A336	ALTİGEN CİVATA M8X60	3	3	
3	901610800000	SPRING WASHER B-8.	3602I022	YAYLI RONDELA	3	3	
4	499146120100	DCV	3606I002	DAMPER VALFİ	1	1	
5	487643320000	LEVER DCV	3606I003		2	2	
6	423572400100	KNOB (HAND ACC./PTO HANDLE)	3606I004		2	2	
7	901200810000	HEX NUT M8	3311A094	SOMUN M8	2	2	
8	901500810050	SCREW HEX M8X25-GR-8.8	3311A029	ALTİGEN CİVATA M8X25 SARI 8.8	2	2	
9	487648120600	DELIVERY HOSE PIPE DCV SIDE 90 HP	3606I005	DCV DAĞITIM BORUSU 90HP (DCV TARAFI)	1	1	
10	901131830000	BANJO BOLT M18X1.5	3606I006		3	3	
11	901681824000	COPPER WASHER-18X24X1.5	3606I007		11	11	
12	487648120800	DCV RETURN PIPE 90 HP	3606I008	DCV DAĞITIM BORUSU 90HP	1	1	
13	996910043900	METRIC ADOPTER M18X1.5	3606I009		5	5	
14	487648123300	DELIVERY HOSE PIPE DCV TO EXT PORT WITH SPIRAL SLEEVE	3606I010		2	2	
15	487648121100	DELIVERY HOSE PIPE DCV TO EXT PORT WITH SPIRAL SLEEVE	3606I011	SPOOLVALF HORTUMU	2	2	
16	445175612900	SEVEN PIN SOCKET BRACKET	3606I012		1	1	

HİDROLİK BORULAR VE İLGİLİ PARÇALAR

GRUP:- P-

S. No.	PART NO.	PART NAME	PARÇA KODU	PARÇA ADI	ADET		AÇIKLAMA
					6000	7500	
					4WD	4WD	
17	901501012050	MOUNTING SCREW M10X25	3303G006	ALTİGEN CİVATA M10X25 8.8	2	2	
18	901611000000	SPRING WASHER B-10	3602I023	YAYLI RONDELA M10	2	2	
19	423532429400	QUICK COUPLING	3606I014	QUICK KAPLİN	4	4	
20	487648120900	CONNECTOR DCV RETURN PIPE 90 HP (18x1.5 X 1/2 BSP)	3606I015		1	1	
21	901682227000	COPPER WASHER (Ø22XØ27X1.5)	3606I016		1	1	
22	487648120700	DELIVERY PIPE DCV TO HYD. HSG.. 90 HP	3606I017	DAĞITIM BORUSU HİDROLİK KAPAK DCV ARASI	1	1	
			3606I018	LİFTOMATİK MANDALI	1	1	
			3606I019	LİFTOMATİK TELİ	1	1	



ÜÇ NOKTA ASKI SİSTEMİ VE İLGİLİ PARÇALAR

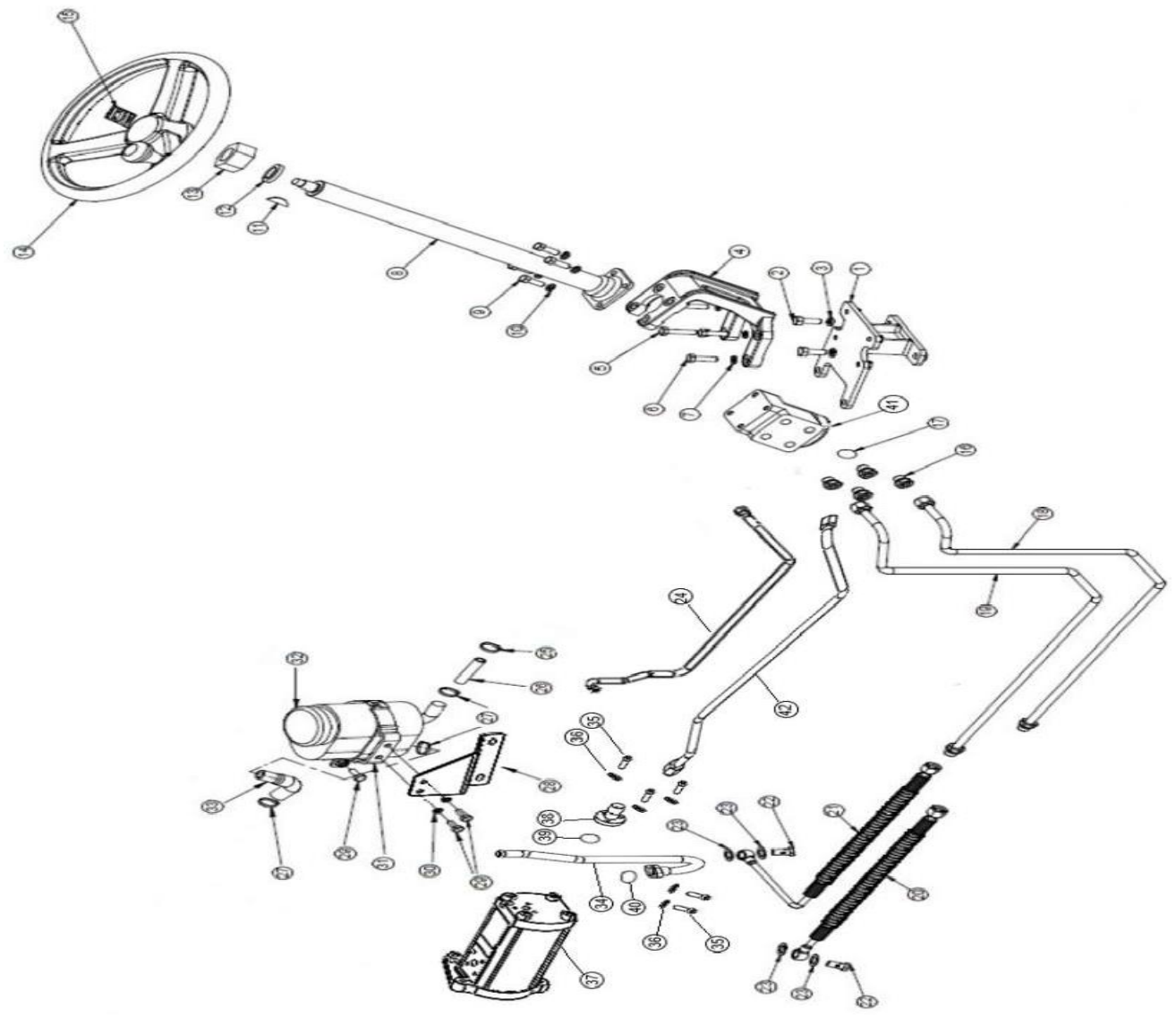
GRUP:- P-

S. No.	PART NO.	PART NAME	PARÇA KODU	PARÇA ADI	ADET		AÇIKLAMA
					6000	7500	
					4WD	4WD	
1	487666100200	ANGLE BRACKET LH	3606J001	ALT ASKI KOLU BRAKETİ SOL	1	1	
2	487666100300	ANGLE BRACKET RH	3606J002	ALT ASKI KOLU BRAKETİ SAĞ	1	1	
3	901111620090	ALLEN BOLT M16X45 (IS:2269-1967)	3606J003		10	10	
4	901611600000	SPRING WASHER B-16.	3606J004		10	10	
5	480051219900	PIPE (PIN LOWER LINK)	3606J005	ALT ASKI KOLU BAĞLANTI MİLİ	1	1	
6	480051220000	SPACER 15 MM (PIN LOWER LINK)	3606J006		2	2	
7	445175608300	LOWER LINK L.H.S & R.H.S.	3606J007	ALT ASKI KOLU SAĞ-SOL	2	2	445175608400
8	901661000000	LINCH PIN ASSY DIA10X45	3606J008		12	12	
9	445175608000	TOP LINK	3606J009	ORTA KOL	1	1	
10	480075500600	PIN TOP LINK (90 HP)	3606J010		1	1	
11	499175319900	STABLIZER MOUNTING BRACKET L.H.S	3606J011	SOL GERĞİ KOLU BRAKETİ	1	1	
12	499175320000	STABLIZER MOUNTING BRACKET R.H.S	3606J012	SAĞ GERĞİ KOLU BRAKETİ	1	1	
13	499175219900	PIN STABLIZER MTG BRACKET (90 HP)	3606J013		2	2	
14	445175608200	LEVELING ROD ASSY.	3606J014	AYAR KOLU	1	1	
15	445175608100	LIFT ROD ASSY	3606J015	KALDIRMA KOLU	1	1	
16	480075500900	PIN LIFT ROD 90 HP	3606J016		2	2	
17	480075500700	PIN LIFT ARM (90 HP)	3606J017		2	2	
18	480075500800	R CLIP FOR LIFT ARM	3606J018		2	2	

ÜÇ NOKTA ASKI SİSTEMİ VE İLGİLİ PARÇALAR

GRUP:- P-

S. No.	PART NO.	PART NAME	PARÇA KODU	PARÇA ADI	ADET		AÇIKLAMA
					6000	7500	
					4WD	4WD	
19	445175608500	STABLIZER ASSY.	3606J019	GERGİ KOLU SOL-SAĞ	2	2	
20	487654400100	REAR TOE HOOK PIN (75 HP)	3606J020	ÇEKİ OKU PİMİ	1	1	
21	487675300300	DRAWBAR PIN	3606J021	ALT ASKI KOLU BRAKETİ PİMİ	2	2	
22	487675300100	SWINGING DRAWBAR ASSEMBLY	3606J022	ARKA ÇEKİ MESNEDİ	1	1	
23	161300102200	HEX BOLT M20X90 G.R.. 12.9 HALF LENGTH	3606J023		8	8	
24	901660600000	LINCH PIN ASSY Ø6X42	3606J024		10	10	
25	480075500200	PIN DRAW BAR Ø14 (90 HP)	3606J025		2	2	
26	480075500400	PIN DRAW BAR HOLDING (90 HP)	3606J026		1	1	
27	487675300200	DRAWBAR ASSY	3606J027	ARKA ÇEKİ OKU	1	1	
28	423575101000	DRAW BAR	3606J028	ÇEKME ÇUBUĞU (9 DELİK)	1	1	
29	487673300300	PTO COVER (75 HP)	3606J029	PTO MİLİ KORUMA SACI	1	1	
30	901501012050	HEX BOLT M10X25	3303G006	ALTİGEN CİVATA M10X25 8.8	4	4	
31	901611000000	SPRING WASHER (M10)	3602I023	YAYLI RONDELA M10	4	4	
32	901201000000	HEX NUT (M10)	3302A023		4	4	
33	901202030000	HEX. NUT M20	3311A015		8	8	
34	901612000000	SPRING WASHER B-20	3606J030		8	8	
35	487672400300	DRAW BAR DATA PLATE STICKER	3606J031		1	1	
			3606J032	ARKA ÇEKİ SEHBASI KOMPLE	1	1	



DÜMENLEME SİSTEMİ VE İLGİLİ PARÇALAR

GRUP:- P-

S. No.	PART NO.	PART NAME	PARÇA KODU	PARÇA ADI	ADET		AÇIKLAMA
					6000	7500	
					4WD	4WD	
1	487653319900	STEERING MOUNTING BRACKET ASSY	3606K001	DİREKSİYON KOLONU BRAKETİ ALT	1	1	
2	901501212060	SCREW M12X1.75X30	3606K002		2	2	
3	901611200000	SPRING WASHER B-12.	3302H002	RONDELA M12	2	2	
4	434523600100	ZF MOUNTING BRACKET (CASTING)	3606K003	DİREKSİYON KOLONU BRAKETİ	1	1	
5	901501012080	HEX SCREW M10X45 GR-8.8	3311A159		2	2	
6	901501011070	HEX SCREW M10X35 GR-8.8	3302E048	ALTİGEN CİVATA M10X35	2	2	
7	901611000000	SPRING WASHER B-10	3602I023	YAYLI RONDELA M10	10	10	
8	487678400100	STEERING COLUMN (L-660) ASSY	3606K004	DİREKSİYON KOLONU	1	1	
9	901501012060	HEX SCREW M 10 X 30 GR. 8.8	3302E048		4	4	
10	901611000000	SPRING WASHER B-10	3602I023	YAYLI RONDELA M10	4	4	
11	901650060075	WOODRUFF KEY (STEERING WHEEL)	3606K005		1	1	
12	901611600000	SPRING WASHER B-16	3606J004		1	1	
13	901201600000	HEX NUT M16	3605E010		1	1	
14	423551421000	STEERING WHEEL	3606K006	DİREKSİYON SİMİDİ	1	1	
15	445192200100	STICKER STEERING CAP	3606K007		1	1	
16	996910043900	METRIC ADOPTER M18X1.5	3606I009		4	4	
17	996910044000	O RING 15.3x2.2xN90	3606K008		4	4	
18	487648401000	PIPE; PS TO FRONT AXLE	3606K009	HİDROLİK BORU 1 (DANFOZDAN ÖN AKSA)	1	1	
19	487648401100	PIPE 2; PS TO FRONT AXLE	3606K010	HİDROLİK BORU 2 (DANFOZDAN ÖN AKSA)	1	1	

DÜMENLEME SİSTEMİ VE İLGİLİ PARÇALAR

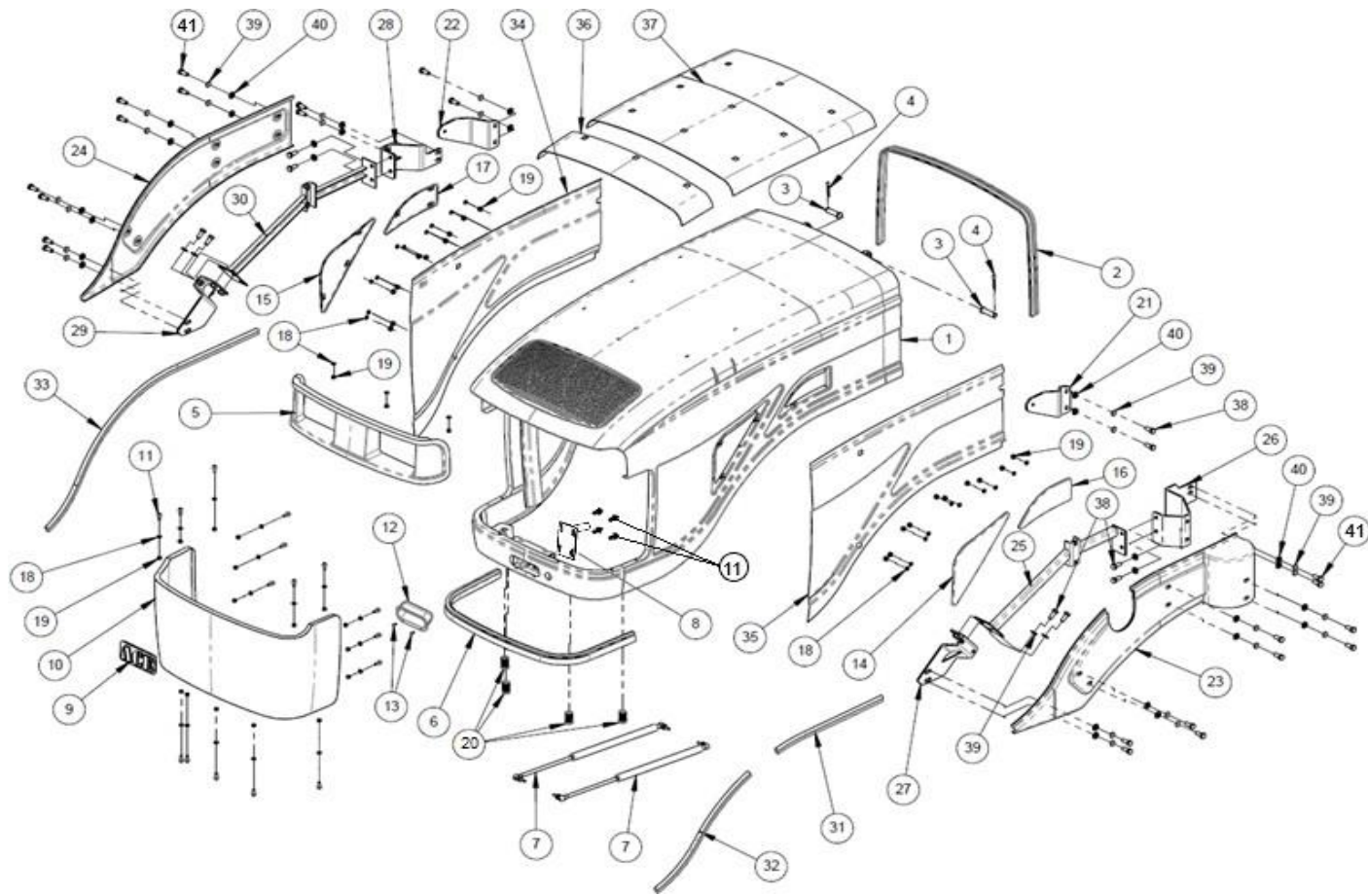
GRUP:- P-

S. No.	PART NO.	PART NAME	PARÇA KODU	PARÇA ADI	ADET		AÇIKLAMA
					6000	7500	
					4WD	4WD	
20	487648122000	PRESSURE HOSE L.H CYLINDER WITH SPIRAL SLEEVE	3606K011	SOL FLEXIBLE HORTUM (DANFOZDAN ÖN AKSA)	1	1	
21	487648121200	PRESSURE HOSE R.H CYLINDER WITH SPIRAL SLEEVE	3606K012	SAĞ FLEXIBLE HORTUM (DANFOZDAN ÖN AKSA)	1	1	
22	423511424800	BANJO BOLT M14X1.5	3605C012		2	2	
23	901681420000	COPPER WASHER 14X20X1.5	3605C013		4	4	
24	487648401400	PIPE ; PS UNIT TO PS TANK	3606K013	HİDROLİK BORU (DANFOZDAN DİREKSİYON YAĞ TANKINA)	1	1	
25	955400130200	HOSE CLAMP 13-20MM(NEW SHEET METAL)	3606K014		1	1	
26	998000000424	HOSE PIPE (WATER PUMP TO COOLER)	3606K015		1	1	
27	996910032300	HOSE CLAMP DIA 30	3606K016		3	3	
28	487616400500	PS TANK BRKT	3606K017		1	1	
29	901500812040	HEX SCRWE M8x20	3304K001		3	3	
30	901610800000	SPRING WASHER B-8	3602I022	YAYLI RONDELA	2	2	
31	445147100200	CLAMP(P.S. TANK) SMALL	3606K018	DİREKSİYON YAĞ TANKI KELEPÇESİ	1	1	
32	445147100100	P.S. TANK SMALL	3606K019	DİREKSİYON YAĞ TANKI	1	1	
33	445148102100	HOSE REDUCER Ø19	3606K020		1	1	
34	487648401500	PIPE (SUCTION); POWER STEERING	3606H008	HİDROLİK EMİŞ BORUSU DANFOZ	1	1	
35	901510613040	SCREW ALLEN M6X20	3606H009		2	2	
36	901610600000	SPRING WASHER B-6	3606H010		2	2	

DÜMENLEME SİSTEMİ VE İLGİLİ PARÇALAR

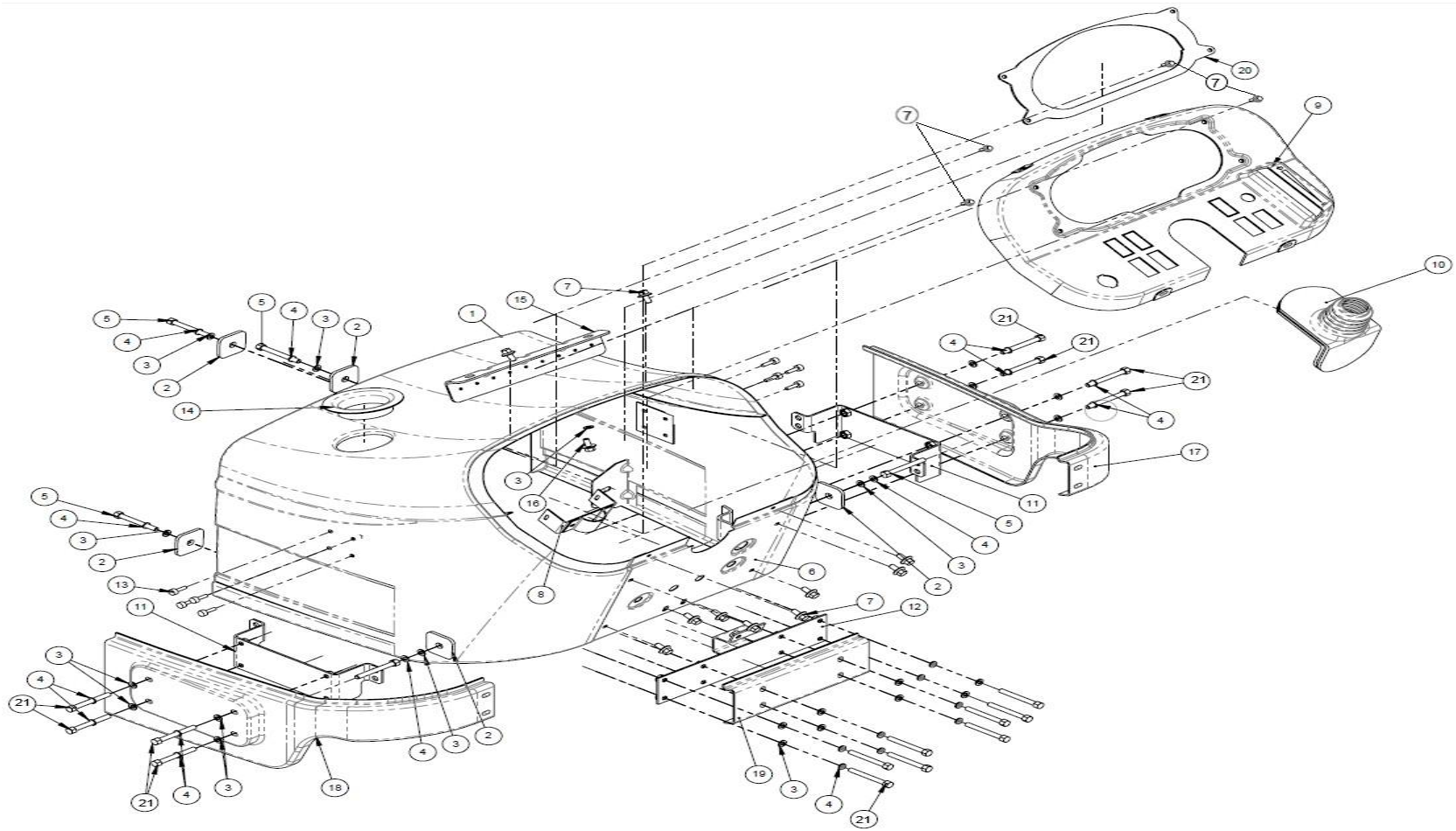
GRUP:- P-

S. No.	PART NO.	PART NAME	PARÇA KODU	PARÇA ADI	ADET		AÇIKLAMA
					6000	7500	
					4WD	4WD	
37	487669100100	TANDEM PUMP 75HP (SIMPSON ENGINE)	3606H002		1	1	
38	487648400300	DELIVERY ADOTER POWER STEERING	3606H012		1	1	
39	445048102600	O' RING DELIVERY ADOPTER	3606H013		1	1	
40	423548101500	O' RING SUCTION ADOPTER	3606K021		1	1	
41	423553404100	STEERING UNIT (NEW P.S.)	3606K022	HİDROLİK DİREKSİYON ÜNİTESİ (DANFOZ)	1	1	
42	487648401300	DELIVERY PIPE; TENDUM TO PS UNIT	3606H011	HİDROLİK BORU (TANDEM POMPADAN SELENOİDE)	1	1	
43	423548402700	VIBRATION DAMPENER	3606K023	HİDROLİK BORU KELEPÇESİ TAKOZU	5	5	3606K009-3606K010 İÇİN



MOTOR KAPUTU VE İLGİLİ PARÇALAR							GRUP:- P-
S. No.	PART NO.	PART NAME	PARÇA KODU	PARÇA ADI	ADET		AÇIKLAMA
					6000	7500	
					4WD	4WD	
1	487661302000	BONNET ASSEMBLY 75 HP	3605A001	KAPUT 7500	1	1	
2	423561401500	BONNET BEADING (NEW SHEET METAL)	3605A002		1	1	
3	423561401900	HINGE PIN (NEW SHEET METAL)	3605A003		2	2	
4	900400500450	SPLIT PIN DIA 5X45 (NEW SHEET METAL)	3605A004		2	2	
5	423561402700	HEAD LIGHT FRAME (NEW SHEET METAL)	3605A005	ÖN FAR ÇERÇEVESİ	1	1	
6	423561401600	BONNET REST BEADING (NEW SHEET METAL)	3605A006		1.06 M	1.06 M	
7	499171222000	GAS SPRING (NEW SHEET METAL) 600 N	3605A007	KAPUT PİSTONU	2	2	
8	424161419900	BONNET LOCKING PIN	3605A008	KAPUT PİMİ	1	1	
9	423569421000	ACE LOGO CROME PLATED (NEW SHEET METAL)	3605A009		1	1	
10	423561402600	FRONT GRILL FRAME ASSY.	3605A010		1	1	
11	901550612031	HEX FLANGE SCREW M6 X 16 (YELLOW)	3311A057	ALTİGEN CİVATA M6X16	20	20	
12	423561402800	BONNET HOLDER	3605A011		1	1	
13	901710412020	TRUSS HEAD MACHINE SCREW M4X10	3606E023		2	2	
14	423561404100	SIDE GRILL FRONT (LH)	3605A012		1	1	
15	423561404200	SIDE GRILL FRONT (RH)	3605A013		1	1	
16	423561404300	SIDE GRILL REAR (LH)	3605A014		1	1	
17	423561404400	SIDE GRILL REAR (RH)	3605A015		1	1	
18	901600600000	PLAIN WASHER M6	3605A016		39	39	
19	901206000000	NYLOCK NUT M6	3302L016	FİBERLİ SOMUN M6	39	39	
20	424161119900	ADJUSTABLE GROMMET (FOR BONNET)	3605A018	AYARLI GROMET-KAPUT	4	4	

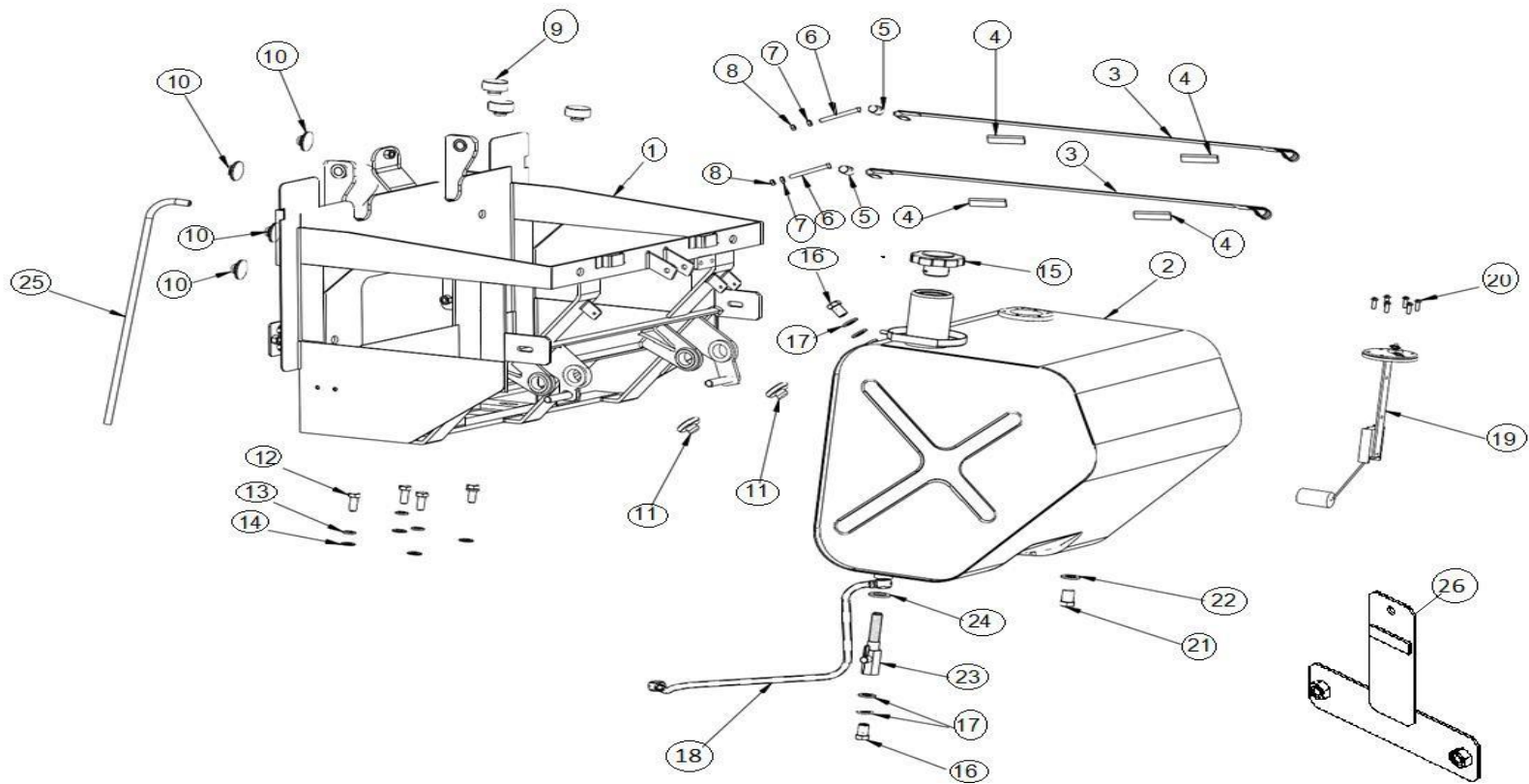
21	487663400300	GAS SPRING MTG BRACKET LH:	3605A019		1	1	
22	487663400400	GAS SPRING MTG BRACKET RH:	3605A020		1	1	
23	487694400400	CLADDING LH; BONNET	3605A021	KAPUT KAPAMA PLASTIĞI SOL	1	1	
24	487694400500	CLADDING RH; BONNET	3605A022	KAPUT KAPAMA PLASTIĞI SAĞ	1	1	
25	487661100200	MTG FRAME ; BONNET CLADDING LH	3605A023		1	1	
26	487661101300	MTG BRKT RL; BONNET CLADDING	3605A024	KAPUT KAPAMA PLASTIĞI BRAKETİ ARKA SOL	1	1	
27	487661101400	MTG BRKT FL; BONNET CLADDING	3605A025	KAPUT KAPAMA PLASTIĞI BRAKETİ ÖN SOL	1	1	
28	487661101100	MTG BRKT RR; BONNET CLADDING	3605A026	KAPUT KAPAMA PLASTIĞI BRAKETİ ARKA SOL	1	1	
29	487661101200	MTG BRKT FR; BONNET CLADDING	3605A027	KAPUT KAPAMA PLASTIĞI BRAKETİ ÖN SAĞ	1	1	
30	487661100300	MTG FRAME ; BONNET CLADDING RH	3605A028		1	1	
31	487694401600	BEEDING CLADDING BONNET; RL	3605A029		0.45M	0.45M	
32	487694401700	BEEDING CLADDING BONNET; FL	3605A030		0.47M	0.47M	
33	487694401500	BEEDING CLADDING BONNET	3605A031		1.03M	1.03M	
34	487694100900	HEAT CUM NOISE SHIELD RH (BONNET)	3605A032		1	1	
35	487694101000	HEAT CUM NOISE SHIELD LH (BONNET)	3605A033		1	1	
36	487694104000	HEAT CUM NOISE SHIELD TF (BONNET)	3605A034		1	1	
37	487694104200	HEAT CUM NOISE SHIELD TR (BONNET)	3605A035	KAPUT ISI KALKANI SACI	1	1	
38	901501012060	HEX SCREW (M10X30)	3302E048		4	4	
39	901611000000	SPRING WASHER B-10	3602I023	YAYLI RONDELA M10	32	32	
40	901621000000	M/CD WASHER DIA10.5XDIA21X2	3605A036	PUL 10.5X21X2	24	24	
41	901500812050	HEX SCREW (M8X25)	3311A029	ALTIGEN CİVATA M8X25 SARI 8.8	28	28	



DASHBOARD VE İLGİLİ PARÇALAR

GRUP:- P-

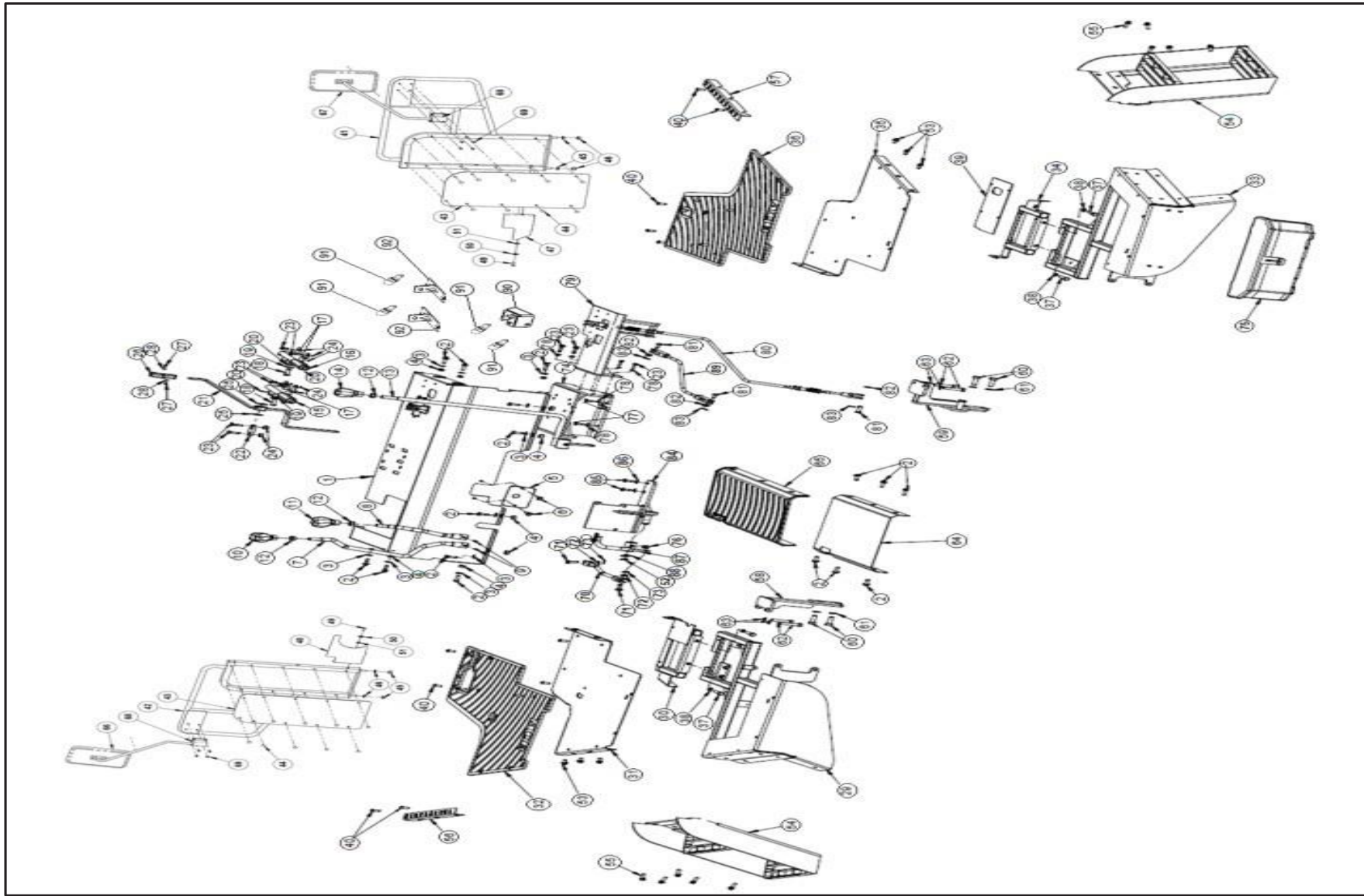
S. No.	PART NO.	PART NAME	PARÇA KODU	PARÇA ADI	ADET		AÇIKLAMA
					6000	7500	
					4WD	4WD	
1	423562100400	DASHBOARD ASSY (NEW SHEETMETAL)	3605B001	DASHBOARD	1	1	
2	423562100300	RUBBER PAD	3605B002	DASHBOARD ÖN TAKOZ	5	5	
3	901600800000	PLAIN WASHER M8	3302B042	RONDELA M8	23	23	
4	901610800000	SPRING WASHER B-8	3602I022	YAYLI RONDELA	21	21	
5	901500812060	HEX SCREW M8x30	3311A033	ALTİGEN CİVATA M8X30	5	5	
6	423562100700	DASHBOARD FRONT PANEL	3605B003		1	1	
7	901550612031	HEX FLANGE SCREW M6X16 (YELLOW)	3311A057	ALTİGEN CİVATA M6X16	14	14	
8	423553101200	STEERING COLUMN MOUNTING CLAMP	3605B004	DİREKSİYON KOLONU BRAKETİ KÜÇÜK	1	1	
9	487684100200	METER PLATE (COBO)	3607A002	GÖSTERGE ÇERÇEVESİ DIŞ	1	1	
10	423553100600	STEERING GROMMET PS	3605B006	DİREKSİYON BAĞLANTI YATAĞI	1	1	
11	487662100100	MTG FRAME DASHBOARD CLADDING	3605B007		2	2	
12	487662100200	MTG DASHBOARD PLATE CLADDING FRONT	3605B008	DASHBOARD ÖN ALT KAPAMA SACI	1	1	
13	424164320200	PLUG (DIA 6) FOR DASHBOARD	3605B009		8	8	
14	423563400900	FUEL TANK NECK BOOT	3605B010	YAKIT TANKI KAPAĞI PLASTİĞİ	1	1	
15	487666300600	RELAY MTG BRKT	3605B011		1	1	
16	901550812031	HEX FLANGE SCREW M8X15	3606E027		2	2	
17	487694400600	DASHBOARD CLADDING RH	3605B012	DASHBAORD KAPAMA SACI SAĞ	1	1	
18	487694400700	DASHBOARD CLADDING LH	3605B013	DASHBAORD KAPAMA SACI SOL	1	1	
19	487694400800	DASHBOARD PLATE CLADING FRONT	3605B014		1	1	
20	487662500100	CLUSTER MTG PLATE (75 HP)	3605B015	GÖSTERGE ÇERÇEVESİ İÇ	1	1	
21	901500812050	HEX SCREW (M8X25)	3311A029	ALTİGEN CİVATA M8X25 SARI 8.8	16	16	



YAKIT TANKI VE İLGİLİ PARÇALAR

GRUP:- P-

S. No.	PART NO.	PART NAME	PARÇA KODU	PARÇA ADI	ADET		AÇIKLAMA
					6000	7500	
					4WD	4WD	
1	487663301000	FRAME; FUEL TANK	3605C001	YAKIT DEPOSU ÇEVRESİ	1	1	
2	445163100100	FUEL TANK ASSY.(65 LTRS)	3605C002	YAKIT DEPOSU	1	1	
3	445163100200	FUEL TANK STRAP BIG	3605C003		2	2	
4	423563400600	FELT PAD (FUEL TANK STRAP)	3605C004		4	4	
5	423563400700	ROD FOR FUEL TANK STRAP	3605C005		2	2	
6	901570612110	SLOTTED CHEESE HD SCREW M6X45	3605C006		2	2	
7	901200600000	HEX NUT 6MM	3605C007		2	2	
8	901206000000	NYLOCK NUT M6	3302L016	FİBERLİ SOMUN M6	2	2	
9	423563400400	RUBBER BUTTON BIG (NR)	3605C008		3	3	
10	423563400200	RUBBER BUTTON SMALL (NR)	3605C009		4	4	
11	423563400300	RUBBER BUTTON (MEDIUM)	3605C010		2	2	
12	901501012050	HEX SCREW M10X25 GR. 8.8	3303G006	ALTİGEN ÇİVATA M10X25 8.8	4	4	
13	901611000000	SPRING WASHER B-10	3602I023	YAYLI RONDELA M10	4	4	
14	901621000000	M/CD WASHER DIA10.5XDIA21X2	3605A036	PUL 10.5X21X2	4	4	
15	487663400200	FUEL TANK CAP WITH KEY -ACESEV 75HP	3605C011	YAKIT DEPO KAPAĞI	1	1	
16	901131430000	BANJO BOLT M14x1.5	3605C012		2	2	
17	901681420000	COPPER WASHER 14X20X1.5	3605C013		4	4	
18	423513400700	FUEL PIPE (FIP TO FUEL TANK)	3605C014		1	1	
19	423584401200	FLOAT UNIT ASSY	3605C015	YAKIT DEPO ŞAMANDIRASI	1	1	
20	901570512030	SLOTTED CHEESE HD SCREW M5x15	3605C016		6	6	
21	423543404000	PLUG M 18x1.5	3605C017		1	1	
22	901681822000	SEALING WASHER DIA18.2 X DIA22 X 1.5	3605C018		1	1	
23	423563100700	FUEL COCK ASSY (M16x2)	3605C019	YAKIT DEPO ALT BOŞALTIM TAPASI	1	1	
24	901681620000	COPPER WASHER DIA16.2XDIA20X1.5	3605C020		1	1	
25	423563400500	OVERFLOW P.V.C TUBE DIA6XDIA9X950	3605C021		1	1	
26	487666400200	FUSE BOX MTG. BRKT	3605C022		1	1	



PLATFORM VE İLGİLİ PARÇALAR

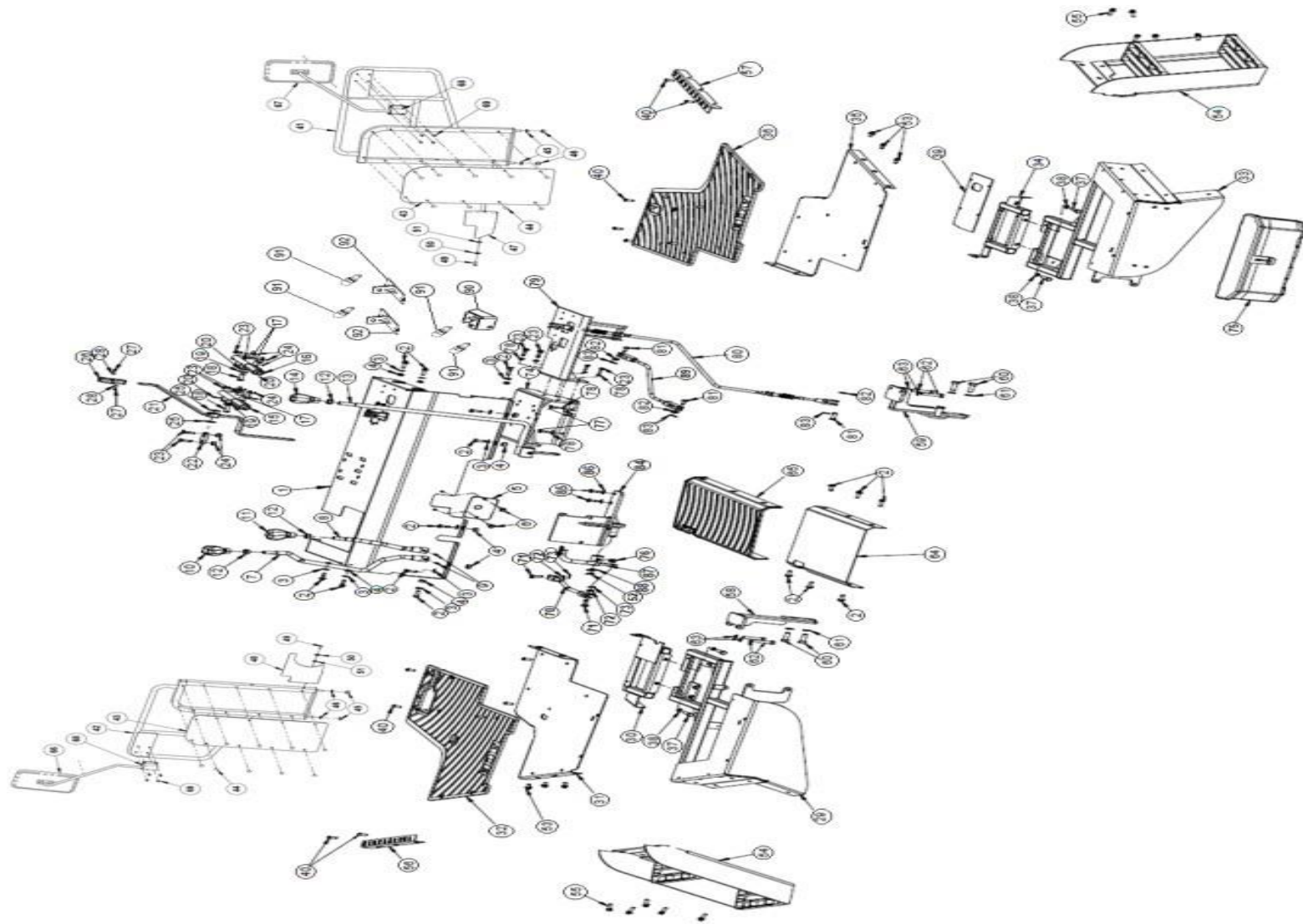
GRUP:- P-

S. No.	PART NO.	PART NAME	PARÇA KODU	PARÇA ADI	ADET		AÇIKLAMA
					6000	7500	
					4WD	4WD	
1	499162119900	FLOOR 90 HP	3605D001	ARKA ZEMİN	1	1	
2	901550812050	HEX FLANGE SCREW M8X25	3302E047	FLANŞLI CİVATA M8X25	16	16	
3	901600800000	PLAIN WASHER M8	3302B042	RONDELA M8	10	10	
4	901220800000	NYLOCK NUT M8	3302M008	FİBER SOMUN M8	10	10	
5	487665121000	COVER PLATE (FLOOR 75 HP)	3605D002		1	1	
6	901550612031	HEX FLANGE SCREW M6X16	3311A057	ALTİGEN CİVATA M6X16	2	2	
7	480074404000	LEVER SPEED	3605D003	ANA VİTES KOLU	1	1	
7		LEVER SPEED	3605D003A	ANA VİTES KOLU YENİ	1	1	
8	480074405000	LEVER RANGE	3605D004	ABC VİTES KOLU	1	1	
8		LEVER RANGE	3605D004A	ABC VİTES KOLU YENİ	1	1	
9	901670603000	SPRING COTTER SLEEVE Ø6X25 IS5988-1970	3605D005		2	2	
10	487679400200	KNOB MAIN GEAR	3605D006	ANA VİTES TOPUZU	1	1	
11	487679400100	KNOB HI-LO-MED	3605D007	HIZLI YAVAŞ VİTES TOPUZU	1	1	
12	901201200000	HEX NUT-M12	3311A042	SOMUN M12	3	3	
13	445175610700	LEVER F/R ASSY.	3605D009		1	1	
14	487679400500	GEAR SHIFTER KNOB FWD-N- REV	3605D010	İLERİ GERİ VİTES TOPUZU	1	1	
15	487679400400	PARKING BRAKE LEVER (ORANGE COLOUR)	3605D011	EL FREN KOLU	1	1	
16	487679400300	I-PTO LEVER ASSY (YELLOW COLOUR)	3605D012	PTO DEVİR KOLU (540 - 540E)	1	1	
17	901610800000	SPRING WASHER (M8)	3602I022	YAYLI RONDELA	8	8	
18	445072400100	LINK PIN Ø8X26	3605D013		2	2	

PLATFORM VE İLGİLİ PARÇALAR

GRUP:- P-

S. No.	PART NO.	PART NAME	PARÇA KODU	PARÇA ADI	ADET		AÇIKLAMA
					6000	7500	
					4WD	4WD	
19	901620800000	M/CD WASHER DIA8.4 X DIA17 X 1.6	3605D014	PUL 8.4X17X1.6	2	2	
20	900400200250	SPLIT PIN Ø2X25	3606E031	YARIKLI PİM D2X25	4	4	
21	487666300800	PTO LEVER ASSEMBLY	3605D015	PTO KOLU	1	1	
22	996910911000	PIN PTO LEVER	3605D016		1	1	
23	901500812060	SCREW HEX M8X30-GR-8.8.	3311A033	ALTİGEN CİVATA M8X30	16	16	
24	901220800000	NYLOCK NUT 8MM (NEW SHEET METAL)	3302M008	FİBER SOMUN M8	10	10	
25	996910952600	NYLONE WASHER 20X35X1	3605D017		2	2	
26	445175611200	KNOB PTO LEVER (BLACK COLOR)	3606E022		1	1	
27	901710412021	SLOTTED CHEESE HEAD SCREW M4X10 IS:1366-1968	3605D018		2	2	
28	901600410000	WASHER M4 (4.5X9X0.8 IS:2016-1967)	3605D019		2	2	
29	480065700200	FRAME MTG. ASSY. RIGHT(75 HP)	3605D020	PLATFORM BRAKETİ SAĞ	1	1	
30	487665120900	EXTENSION FRAME ASSY. RHS 75 HP	3605D021	PLATFORM BRAKETİ SAĞ PLEYTİ	1	1	
31	445065100600	FRONT RIGHT FLOOR ASSY.	3605D022	ÖN SAĞ ZEMİN	1	1	
32	445175612800	RH RUBBER PAD	3605D023	PASPAS SAĞ	1	1	
33	480065700100	FRAME MTG ASSY LEFT 75 HP	3605D024	PLATFORM BRAKETİ SOL	1	1	
34	499165120000	EXTENTION FRAME MTG ASSY LEFT	3605D025	PLATFORM BRAKETİ SOL PLEYTİ	1	1	
35	445065100500	FRONT LEFT FLOOR ASSY.	3605D026	ÖN SOL ZEMİN	1	1	
36	445175612700	LH RUBBER PAD	3605D027	PASPAS SOL	1	1	



PLATFORM VE İLGİLİ PARÇALAR 2

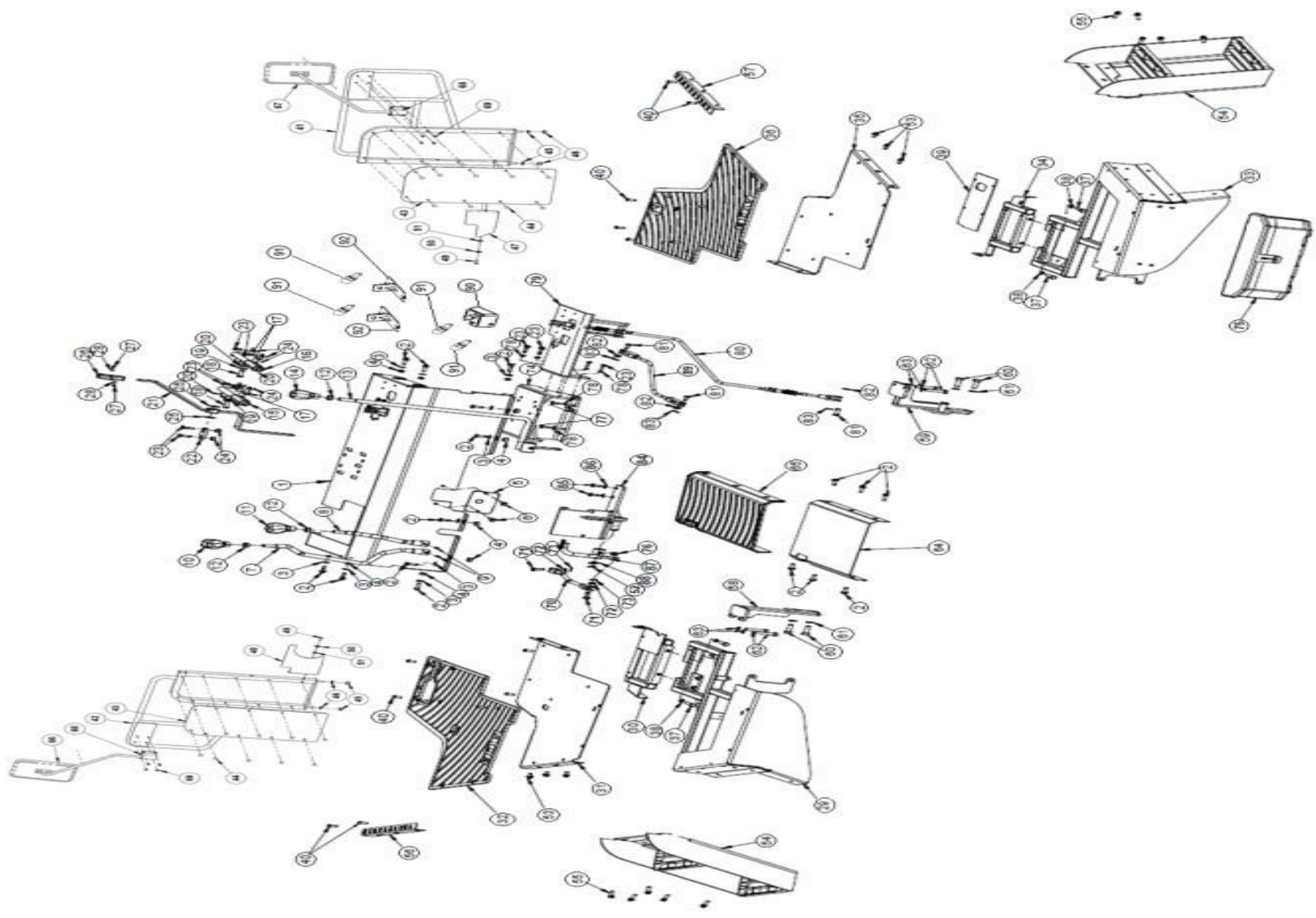
GRUP:- P-

S. No.	PART NO.	PART NAME	PARÇA KODU	PARÇA ADI	ADET		AÇIKLAMA
					6000	7500	
					4WD	4WD	
37	901501012050	HEX BOLT M10X25	3303G006	ALTİGEN CİVATA M10X25 8.8	4	4	
38	901611000000	SPRING WASHER B-10	3602I023	YAYLI RONDELA M10	4	4	
39	499165120500	PLATE LHS EXT.	3605D028		1	1	
40	901510820040	SOCKET BUTTON HEAD ALLEN SCREW M8X20	3606H006		18	18	
41	487694401100	LEG GUARD LH	3605D029	RÜZGARLIK BRAKETİ SOL	1	1	
42	487694401200	LEG GUARD RH	3605D030	RÜZGARLIK BRAKETİ SAĞ	1	1	
43	487694400200	LEG GUARD GLASS (E-MARKED)	3605D031	RÜZGARLIK	2	2	
44	445165502600	LOCKING RIVET SET (PLASTIC) Ø7	3605D032		20	20	
45	901221000000	NUT NYLOCK M10	3302J006	FİBER SOMUN M10	4	4	
46	901621000000	M/CD WASHER DIA10.5XDIA21X2	3605A036	PUL 10.5X21X2	4	4	
47	487666300500	LEG GUARD SHIELD LH	3605D033		1	1	
48	487666300400	LEG GUARD SHIELD RH	3605D034		1	1	
49	901110010080	HEX SOCKET BOLT M6X40	3605D048	SOKET BAŞLI CİVATA M6X40	2	2	
50	901600600000	PLAIN WASHER M6	3605A016		2	2	
51	901206000000	NUT NYLOCK M6	3302L016	FİBERLİ SOMUN M6	2	2	
52	930018120100	CIRCLIP A18 IS3075	3606E033	RONDELA A18	1	1	
53	901550812031	HEX FLANGE SCREW M8X15	3606E027		6	6	
54	480065800000	FOOT REST ASSY.	3605D035	BASAMAK	2	2	
55	901550812041	HEX FLANGE SCREW M8X20 (NEW SHEET METAL)	3308D012	FLANŞLI CİVATA M8X20	10	10	

PLATFORM VE İLGİLİ PARÇALAR 2

GRUP:- P-

S. No.	PART NO.	PART NAME	PARÇA KODU	PARÇA ADI	ADET		AÇIKLAMA
					6000	7500	
					4WD	4WD	
56	445175616000	STEEL STRIP FOR MAT FIXATION	3605D036	PASPAS SABİTLEYİCİ METAL ŞERİT	1	1	
57	445175617300	STEEL STRIP FOR MAT FIXATION RH	3605D037	PASPAS SABİTLEYİCİ METAL ŞERİT	1	1	
58	487663119900	SUPPORT BKT. RH	3605D038	PLATFORM BRAKETİ KÜÇÜK SAĞ	1	1	
59	487663120000	SUPPORT BKT. LH	3605D039	PLATFORM BRAKETİ KÜÇÜK SOL	1	1	
60	901501212070	SCREW HEX-M12X35 GR-8.8	3606H028	ALTİGEN CİVATA M12X1.75X35	4	4	
61	901611200000	SPRING WASHER B-12.	3302H002	RONDELA M12	4	4	
62	901501011070	SCREW HEX M10X35-GR 8.8 (NEW SHEET METAL)	3302E048	ALTİGEN CİVATA M10X35	4	4	
63	901611000000	SPRING WASHER B-10	3602I023	YAYLI RONDELA M10	4	4	
64	480065600100	MIDDLE FLOOR ASSY.	3605D040	ORTA ZEMİN	1	1	
65	445175614900	MIDDLE FLOOR (RUBBER PAD)	3605D041	PASPAS ORTA	1	1	
66	499194421300	REAR VIEW MIRROR ASSY.RH	3605D042	AYNA SAĞ	1	1	
67	499194421200	REAR VIEW MIRROR ASSY.LH	3605D043	AYNA SOL	1	1	
68	499192421700	MIRROR MTG BKT NEW	3605D044	AYNA KOLU BRAKETİ	2	2	
69	901570612030	SLOTTED CHEESE HD SCREW M6X15	3605D045		8	8	
70	487674320500	TIE ROD DIFF. LOCK	3605D046	DİFERANSİYEL KİLİDİ ALT BAĞLANTI ÇUBUĞU	1	1	
71	445175601700	LINK PIN Ø10	3605D047	PİM 10	1	1	

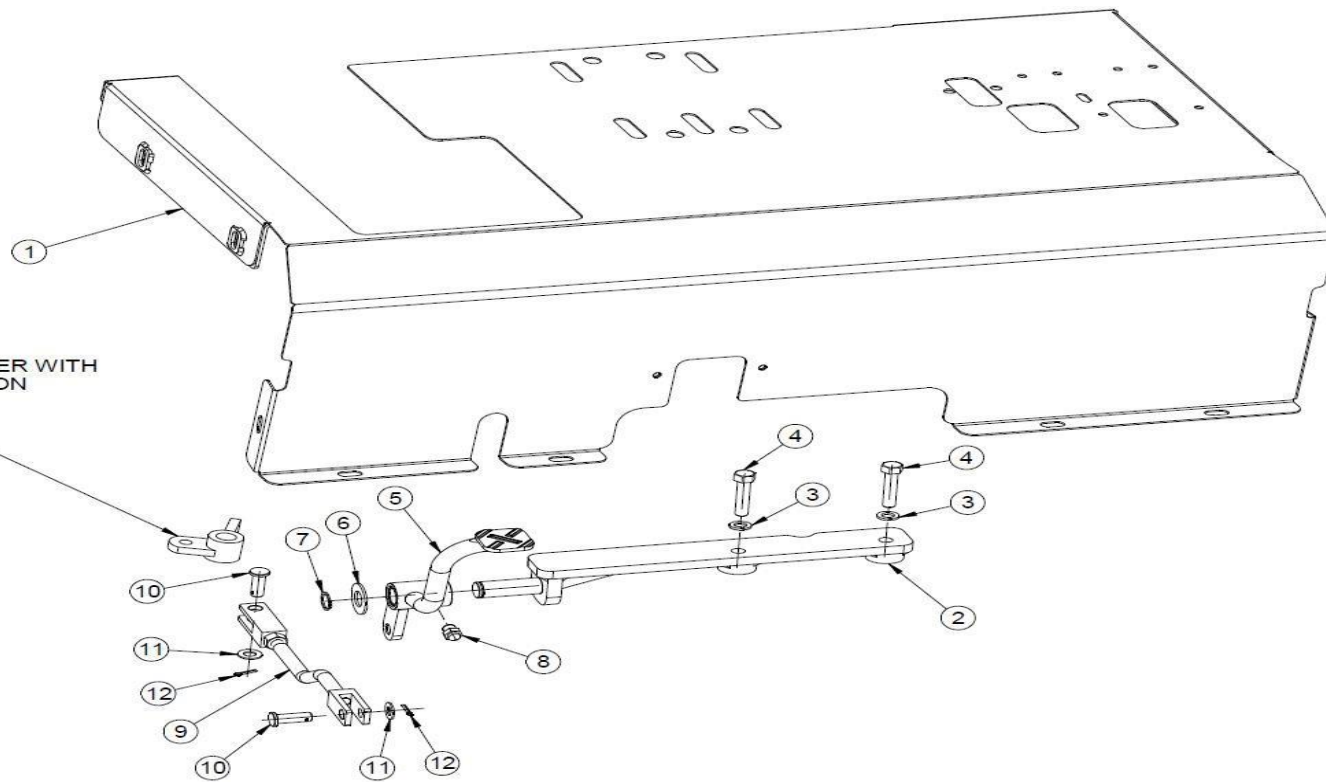


PLATFORM VE İLGİLİ PARÇALAR 3

GRUP:- P-

S. No.	PART NO.	PART NAME	PARÇA KODU	PARÇA ADI	ADET		AÇIKLAMA
					6000	7500	
					4WD	4WD	
72	901621000000	WASHER Ø10X21X2	3605A036	PUL 10.5X21X2	1	1	
73	900400200250	SPLIT PIN Ø2X25	3606E031	YARIKLI PİM D2X25	1	1	
74	487666100100	MTG BRKT; DRIVER SEAT	3605F002	KOLTUK ALT BAĞLANTI BRAKETİ	1	1	
75	423566100100	TOOL BOX ASSY	3605D050	ALET KUTUSU	1	1	
76	901300800000	GREASE NIPPLE M8 X 1	3603I006	GRESÖRLÜK M8X1	1	1	
77	901501012050	HEX SCREW M10X25 GR. 8.8	3303G006	ALTİGEN CİVATA M10X25 8.8	4	4	
78	901611000000	SPRING WASHER B-10	3602I023	YAYLI RONDELA M10	4	4	
79	445175611600	LEVER HOLDING MTG. BKT	3605D051		1	1	
80	487674321100	CLUTCH WIRE FLEXIBLE	3605D052	KUYRUK MİLİ TELİ	1	1	
81	445175601700	LINK PIN Ø10X30	3605D047	PİM 10	2	2	
82	901621000000	WASHER Ø10X21X2	3605A036	PUL 10.5X21X2	2	2	
83	900400200250	SPLIT PIN Ø2X25	3606E031	YARIKLI PİM D2X25	4	4	
84	487632323500	DCV MTG. BRACKET (75 HP)	3606I001	DAMPER VALFİ BRAKETİ	1	1	487643319900
85	901501012050	HEX BOLT M10X25	3303G006	ALTİGEN CİVATA M10X25 8.8	4	4	
86	901611000000	SPRING WASHER B-10	3602I023	YAYLI RONDELA M10	4	4	
87	445175610400	DIFF. LOCK MTG. LEVER ASSY.	3605D053		1	1	
88	424635200100	M/C WASHER I.D.18.2XO.D.35X2MM	3605D054		1	1	
89	499171129900	TIE ROD (PARKING BRAKE)	3605D055	EL FREN ALT BAĞLANTI ÇUBUĞU	1	1	
90	487661100800	MTG BRKT BRAKE SWITCH; PTO	3605D056		1	1	
91	412585100200	BRAKE LIGHT SWITCH 26HP	3607A007	FREN MÜŞÜRÜ	4	4	
92	487661101000	MTG BRKT HAND BRAKE SWITCH	3605D058		2	2	
92			3605D062	PTO DEVİR KOLU ALT MEKANİZMA 540-540E	1	1	
92			3605D063	PTO DEVİR KOLU 540-540E	1	1	

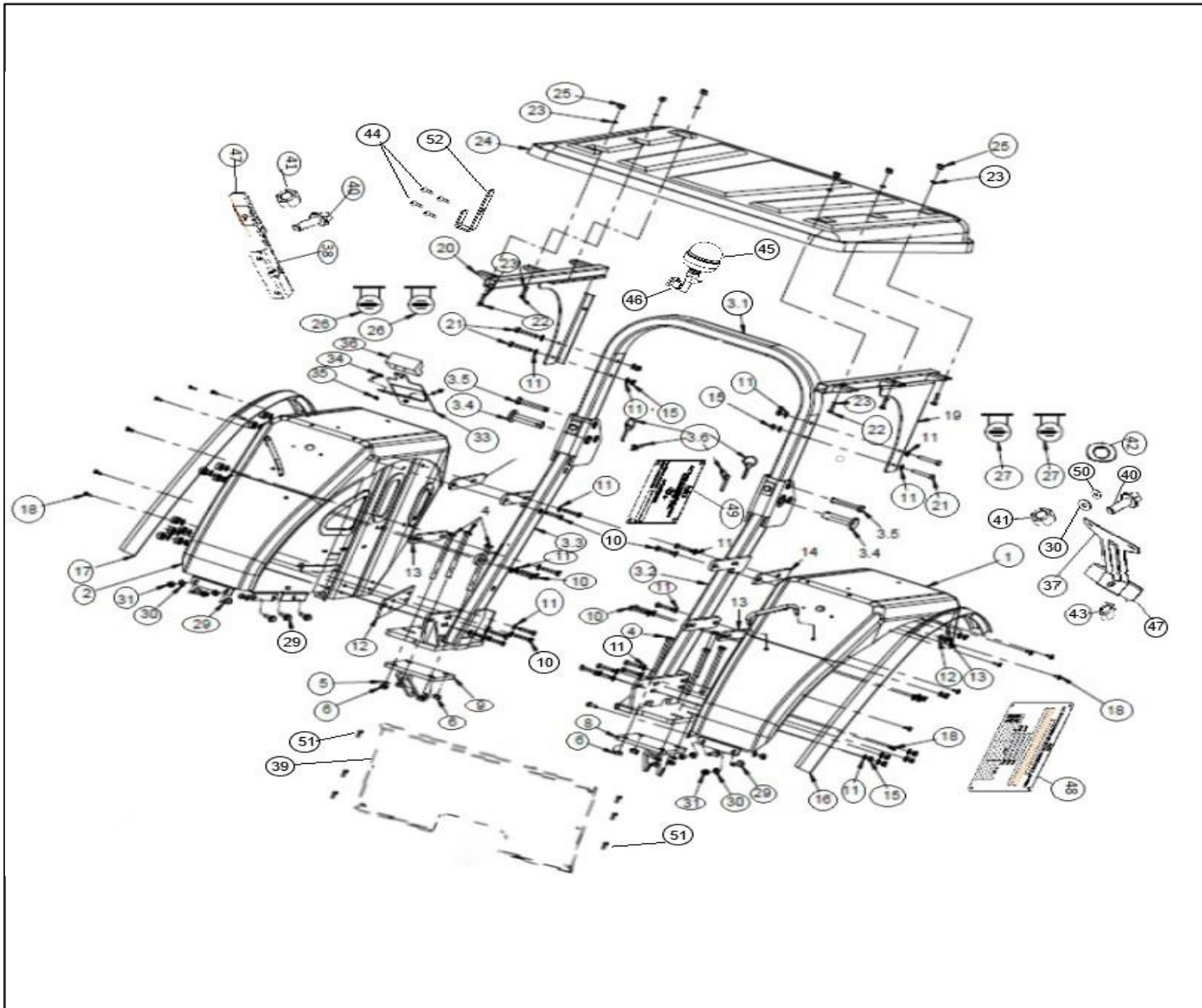
DIFF. LOCK LEVER WITH
TRANSMISSION



PLATFORM VE İLGİLİ PARÇALAR 4

GRUP:- P-

S. No.	PART NO.	PART NAME	PARÇA KODU	PARÇA ADI	ADET		AÇIKLAMA
					6000	7500	
					4WD	4WD	
1	499194319900	FLOOR 75 HP	3605D059		1	1	
2	499135120000	DIFF LOCK MTG BKT.	3605D060	DİFERANSİYEL KİLİDİ BAĞLANTI BRAKETİ	1	1	
3	901611000000	SPRING WASHER B-10	3602I023	YAYLI RONDELA M10	2	2	
4	901101011090	SCREW HEX M10X45-GR 8.8 (NEW SHEET METAL)	3311A159		2	2	
5	445175610400	DIFF LOCK LEVER ASSY	3605D053	DİFERANSİYEL KİLİDİ PEDALI	1	1	
6	901621832200	WASHER 18.5X32X2	3605D061	PUL 18.5X32X2	1	1	
7	930018120100	EX. CIRCLIP A-18 IS-3075	3606E033	RONDELA A18	1	1	
8	901300800000	GREASE NIPPLE M8 X 1	3603I006	GRESÖRLÜK M8X1	1	1	
9	445175603600	TIE ROD DIFF. LOCK	3605D046	DİFERANSİYEL KİLİDİ ALT BAĞLANTI ÇUBUĞU	1	1	
10	445175601700	LINK PIN Ø10	3605D047	PİM 10	2	2	
11	901621000000	WASHER Ø10X21X2	3605A036	PUL 10.5X21X2	2	2	
12	900400200250	SPLIT PIN Ø2X25	3606E031	YARIKLI PİM D2X25	2	2	



ÇAMURLUKLAR,ROPS VE İLGİLİ PARÇALAR

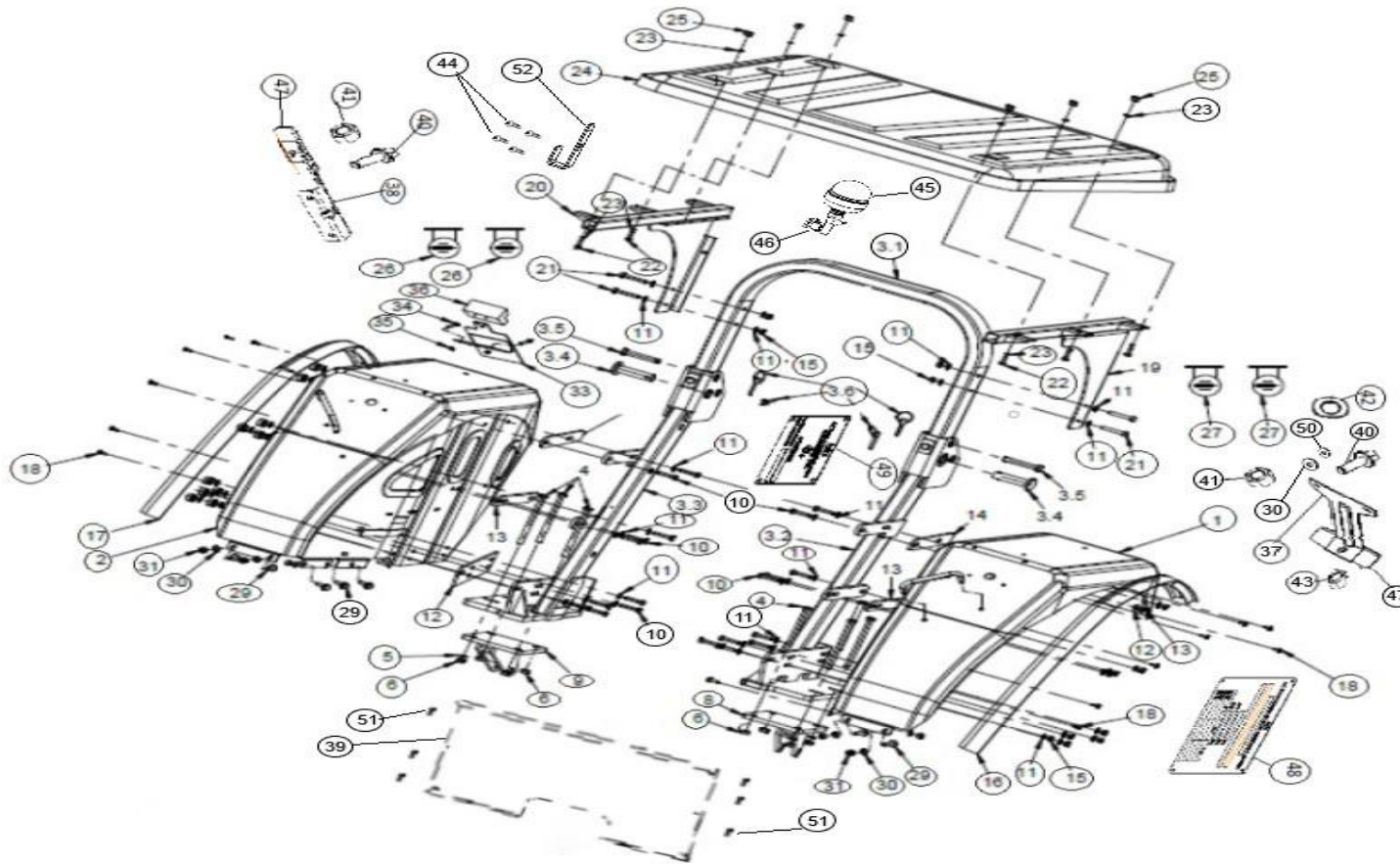
GRUP:- P-

S. No.	PART NO.	PART NAME	PARÇA KODU	PARÇA ADI	ADET		AÇIKLAMA
					6000	7500	
					4WD	4WD	
1	487665300100	FENDER ASSY. RH	3605E001	ARKA ÇAMURLUK SAĞ	1	1	
2	487665300200	FENDER ASSY. LH	3605E002	ARKA ÇAMURLUK SOL	1	1	
3	480064500000	ROPS ASSEMBLY	3605E003	ROPS KOMPLE	1	1	
4	480064500100	PIPE ASSEMBLY	3605E004		1	1	
5	480064500200	LH SUPPORT	3605E005		1	1	
6	480064500300	RH SUPPORT	3605E006		1	1	
7	480064500400	PIN-I	3605E007		1	1	
8	480064500500	PIN-II	3605E008		1	1	
9	901661000000	LINCH PIN Ø10	3606J008		4	4	
10	901101611430	HEX BOLT M16X215 GR.10.9 (BLACKEND COLOR)	3605E009		8	8	
11	901611600000	SPRING WASHER B-16.	3606J004		8	8	
12	901201600000	HEX NUT-M16 901201600000	3605E010		8	8	
13	499175319900	STABLIZER MOUNTING BRACKET L.H.S	3606J011	SOL GERGİ KOLU BRAKETİ	1	1	
14	499175320000	STABLIZER MOUNTING BRACKET R.H.S	3606J012	SAĞ GERGİ KOLU BRAKETİ	1	1	
15	901300800000	HEX BOLT M12X55(GR. 8.8)	3603I006	GRESÖRLÜK M8X1	20	20	
16	901611200000	M/CD WASHER DIA13XDIA24X2.5	3302H002	RONDELA M12	48	48	

ÇAMURLUKLAR,ROPS VE İLGİLİ PARÇALAR

GRUP:- P-

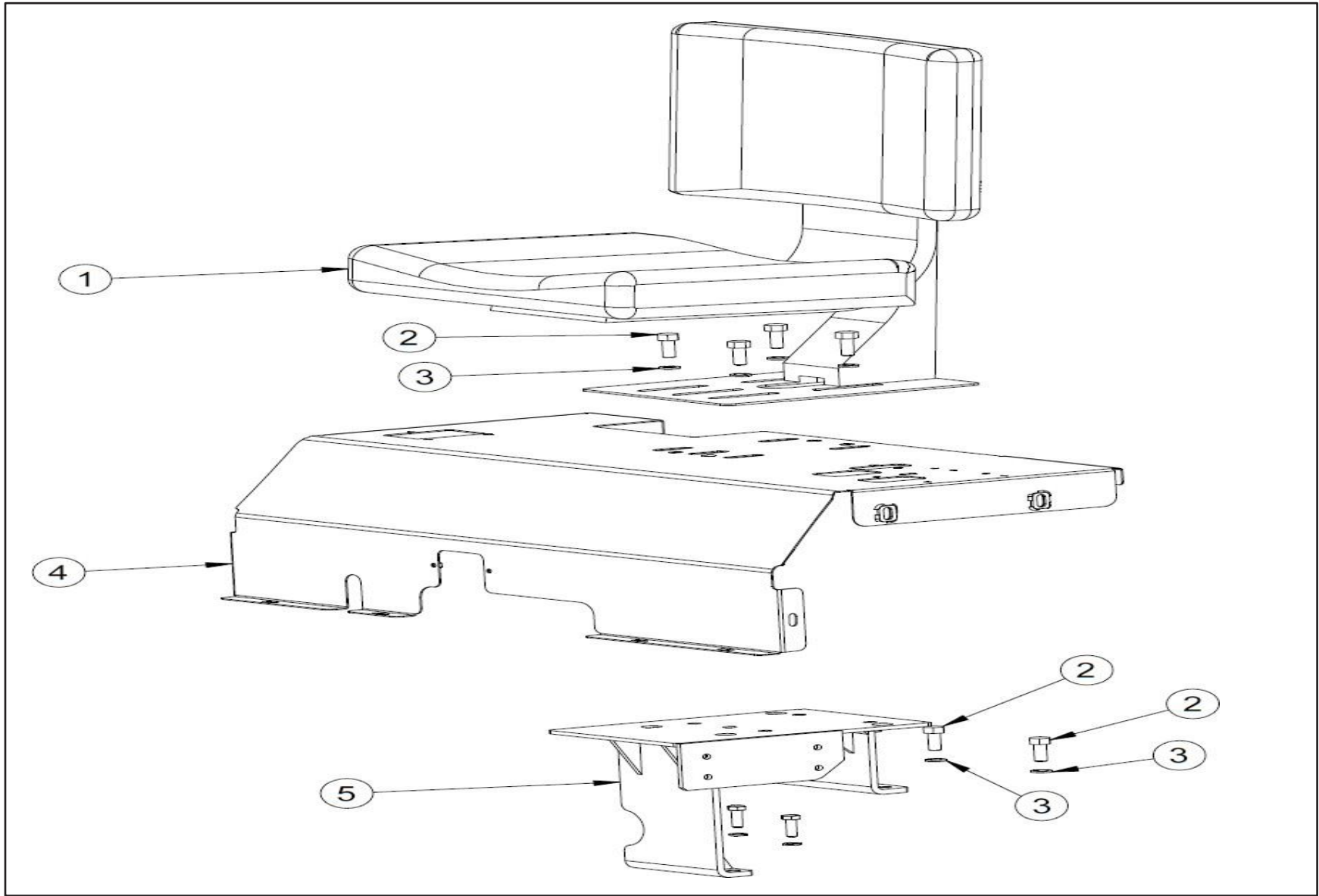
S. No.	PART NO.	PART NAME	PARÇA KODU	PARÇA ADI	ADET		AÇIKLAMA
					6000	7500	
					4WD	4WD	
17	480065100500	RUBBER PAD BOTTOM FENDER	3605E011		2	2	
18	480065100400	RUBBER PAD MID FENDER	3605E012		2	2	
19	480065100300	RUBBER PAD TOP FENDER	3605E013		2	2	
20	901221200000	NYLOCK NUT M12	3308A004		20	20	
21	499165120600	FENDER EXTENSION LH	3605E015	ÇAMURLUK KENARI SOL	1	1	
22	499165120700	FENDER EXTENSION RH	3605E016	ÇAMURLUK KENARI SAĞ	1	1	
23	901550612031	HEX FLANGE SCREW M6X16 (NEW SHEET METAL)	3311A057	ALTIGEN CİVATA M6X16	14	14	
24	480064500700	CANOPY MOUNTING BRACKET ASSY L.H.	3605E017	TENTE BRAKETİ SOL	1	1	
25	480064500600	CANOPY MOUNTING BRACKET ASSY R.H.	3605E018	TENTE BRAKETİ SAĞ	1	1	
26	445151401700	HEX BOLT M12X75 GR-8.8	3308D054		4	4	
27	901501012060	SCREW HEX M10X30-GR 8.8 ..	3302E048		6	6	
28	901621000000	M/CD WASHER DIA10.5XDIA21X2	3605A036	PUL 10.5X21X2	12	12	
29	487671121600	CANOPY 90 HP	3605E019	TENTE	1	1	
30	901221000000	NUT NYLOCK M10	3302J006	FİBER SOMUN M10	6	6	
31	499192219900	CANOPY LIGHT (REAR)	3605E020		2	2	
32	499192220000	CANOPY LIGHT (FRONT)	3605E021		2	2	
33	445175617100	BEADING FLOOR	3605E022	PLATFORM FİTİLİ	2	2	UZUNLUK 2500 MM
34	901550812050	HEX FLANGE SCREW M8X25	3302E047	FLANŞLI CİVATA M8X25	10	10	
35	901600800000	PLAIN WASHER M8	3302B042	RONDELA M8	10	10	
36	423565400100	NEW RUBBER PAD	3605E036	ÇAMURLUK TAKOZU	6	6	



ÇAMURLUKLAR,ROPS VE İLGİLİ PARÇALAR 2

GRUP:- P-

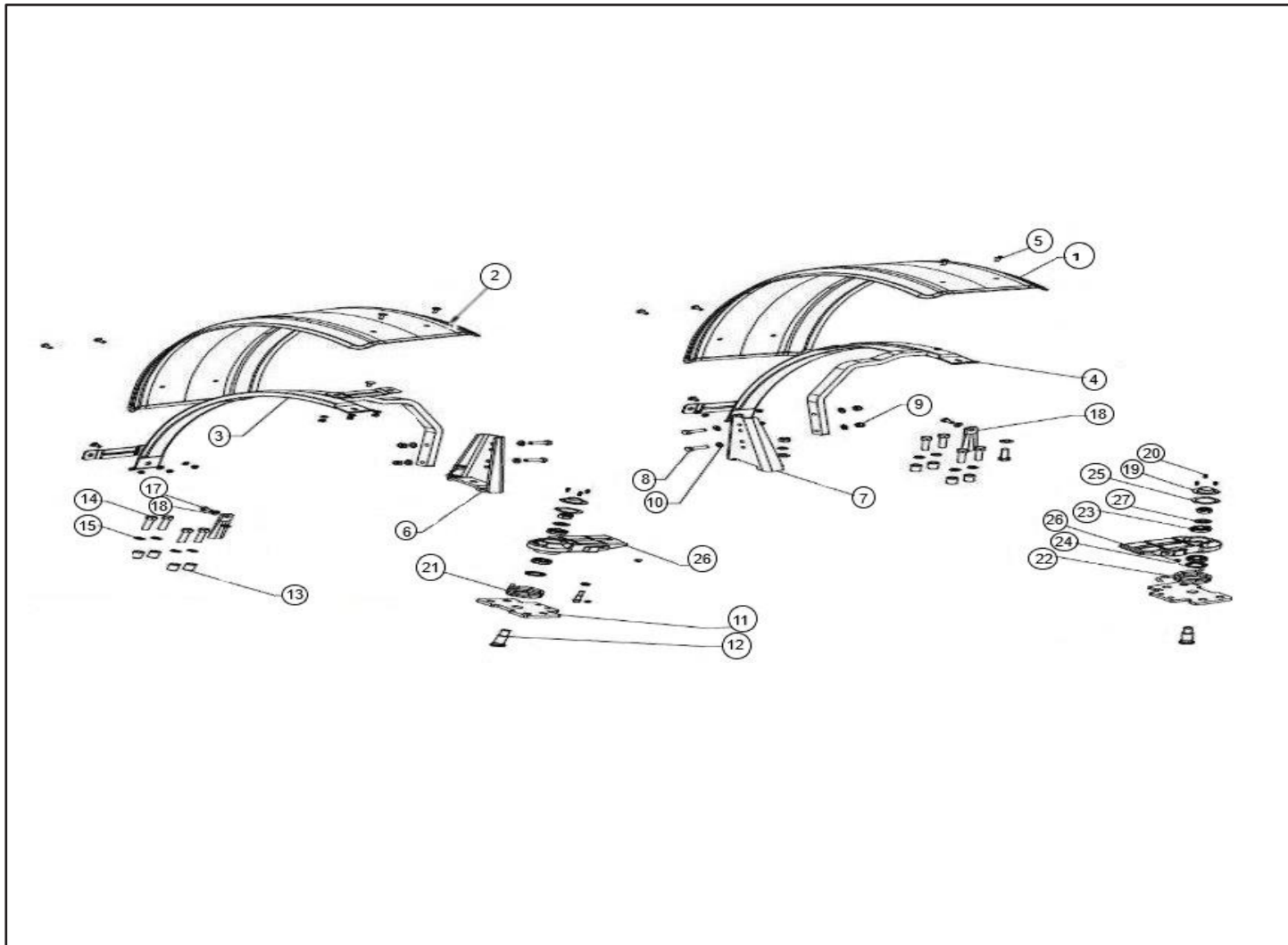
S. No.	PART NO.	PART NAME	PARÇA KODU	PARÇA ADI	ADET		AÇIKLAMA
					6000	7500	
					4WD	4WD	
31	901220800000	NYLOCK NUT M8	3302M008	FİBER SOMUN M8	10	10	
32	445175615700	HANDLE FENDER	3605E023		2	2	
33	499194419900	REGISTRATION PLATE ASSY	3605E024	PLAKALIK	1	1	
34	901550812031	HEX FLANGE SCTREW M8x15, IS:1363-1967	3606E027		2	2	
35	901220800000	NYLOCK NUT 8MM	3302M008	FİBER SOMUN M8	2	2	
36	499194420000	SIGNATURE LIGHT	3605E025		1	1	
37	487665100200	REFELECTOR MTG PLATE- REGST PLATE SIDE	3605E026		1	1	
38	487665100100	REFELECTOR MTG PLATE	3605E027		1	1	
39	487666100500	ROPS COVER	3605E028	ROPS ARKA KAPAMA SACI	1	1	
40	901550812031	HEX FLANGE SCREW M8X15	3606E027		4	4	
41	901200810000	HEX NUT M8	3311A094	SOMUN M8	2	2	
42	901600800000	PLAIN WASHER M8	3302B042	RONDELA M8	2	2	
43	901206000000	NYLON NUT M6	3302L016	FİBERLİ SOMUN M6	2	2	
44	901110431030	ALLEN KEY BOLT M4X16 (FINE PITCH)	3605E029		4	4	
45	412582101000	BEAKON LIGHT MOUNTING BRACKET	3605E030		1	1	
46	412582100900	BEAKON LIGHT	3605E031	DÖNER TEPE LAMBA	1	1	
47	499192420400	RECT. REFLEX REFLECTOR ASSY	3605E032		2	2	
48	487665500100	COMPLIANCE PLATE	3605E033		1	1	
49	487694500300	ROPS DATA PLATE	3605E034		1	1	
50	901610800000	SPRING WASHER (M8)	3602I022	YAYLI RONDELA	4	4	
51	901550612031	HEX FLANGE SCREW M6X16 (YELLOW)	3311A057	ALTİGEN CİVATA M6X16	6	6	
52	487665300800	BEACON LIGHT MTG BRKT	3605E035		1	1	



KOLTUK VE İLGİLİ PARÇALAR

GRUP:- P-

S. No.	PART NO.	PART NAME	PARÇA KODU	PARÇA ADI	ADET		AÇIKLAMA
					6000	7500	
					4WD	4WD	
1	487694100700	DRIVER SEAT E MARKED	3605F001	SÜRÜCÜ KOLTUĞU	1	1	
2	901501012060	SCREW HEX M10X30-GR 8.8	3302E048		8	8	
3	901611000000	SPRING WASHER B-10	3602I023	YAYLI RONDELA M10	8	8	
4	499162119900	FLOOR 90 HP	3605D001	ARKA ZEMİN	1	1	
5	487666100100	MTG BRKT; DRIVER SEAT	3605F002	KOLTUK ALT BAĞLANTI BRAKETİ	1	1	
1		DRIVER SEAT E MARKED	3605F001A	KOLTUK ST0645 (SWİÇLİ)	1	1	



ÖN ÇAMURLUK VE İLGİLİ PARÇALAR

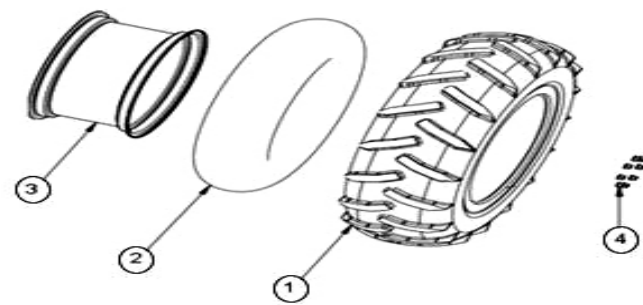
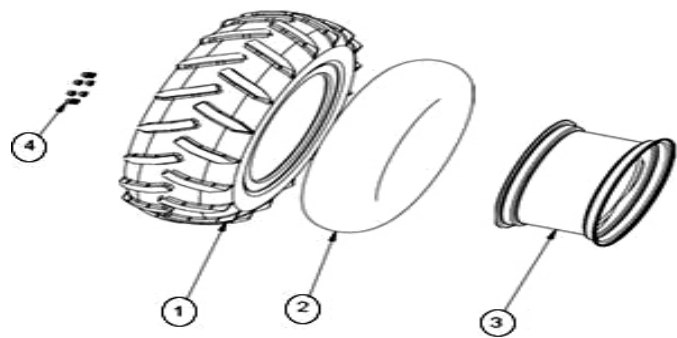
GRUP:- P-

S. No.	PART NO.	PART NAME	PARÇA KODU	PARÇA ADI	ADET		AÇIKLAMA
					6000	7500	
					4WD	4WD	
1	487694402000	FRONT FENDER LH	3605H001		1	1	
2	487694402100	FRONT FENDER RH	3605H002		1	1	
3	499165322200	FRONT MUD GUARD FRAME ASSEMBLY RHS	3605H003		1	1	
4	499165322100	FRONT MUD GUARD FRAME ASSEMBLY LHS	3605H004		1	1	
5	901550612031	HEX FLANGE SCREW M6X16 (NEW SHEET METAL)	3311A057	ALTİGEN CİVATA M6X16	8	8	
6	499165320400	BASE FRAME ASSY RHS (FRONT MUD GUARD)	3605H005	ÖN ÇAMURLUK BAĞLANTI BRAKETİ SAĞ	1	1	
7	499165319900	BASE FRAME ASSY LHS (FRONT MUD GUARD)	3605H006	ÖN ÇAMURLUK BAĞLANTI BRAKETİ SAĞ	1	1	
8	901101212100	BOLT HEX-M12X50,GR 8.8	3311A034		4	4	
9	901221200000	NYLOCK NUT M12	3308A004		4	4	
10	901621200000	M/C WASHER DIA13XDIA24X2.5	3605H007		4	4	
11	499165320500	BASE PLATE ASSY (FRONT MUD GUARD)	3605H008	ÖN ÇAMURLUK BAĞLANTI PLEYTİ	2	2	
12	499165320600	MTG PIN FOR BASE PLATE (FRONT MUD GUARD)	3605H009		2	2	
13	499165320700	HEIGHT SPACER (FRONT MUD GUARD)	3605H010		8	8	
14	901501612130	SCREW HEX M16X65 GR8.8	3605H011		8	8	
15	901611600000	SPRING WASHER B-16	3606J004		8	8	

ÖN ÇAMURLUK VE İLGİLİ PARÇALAR

GRUP:- P-

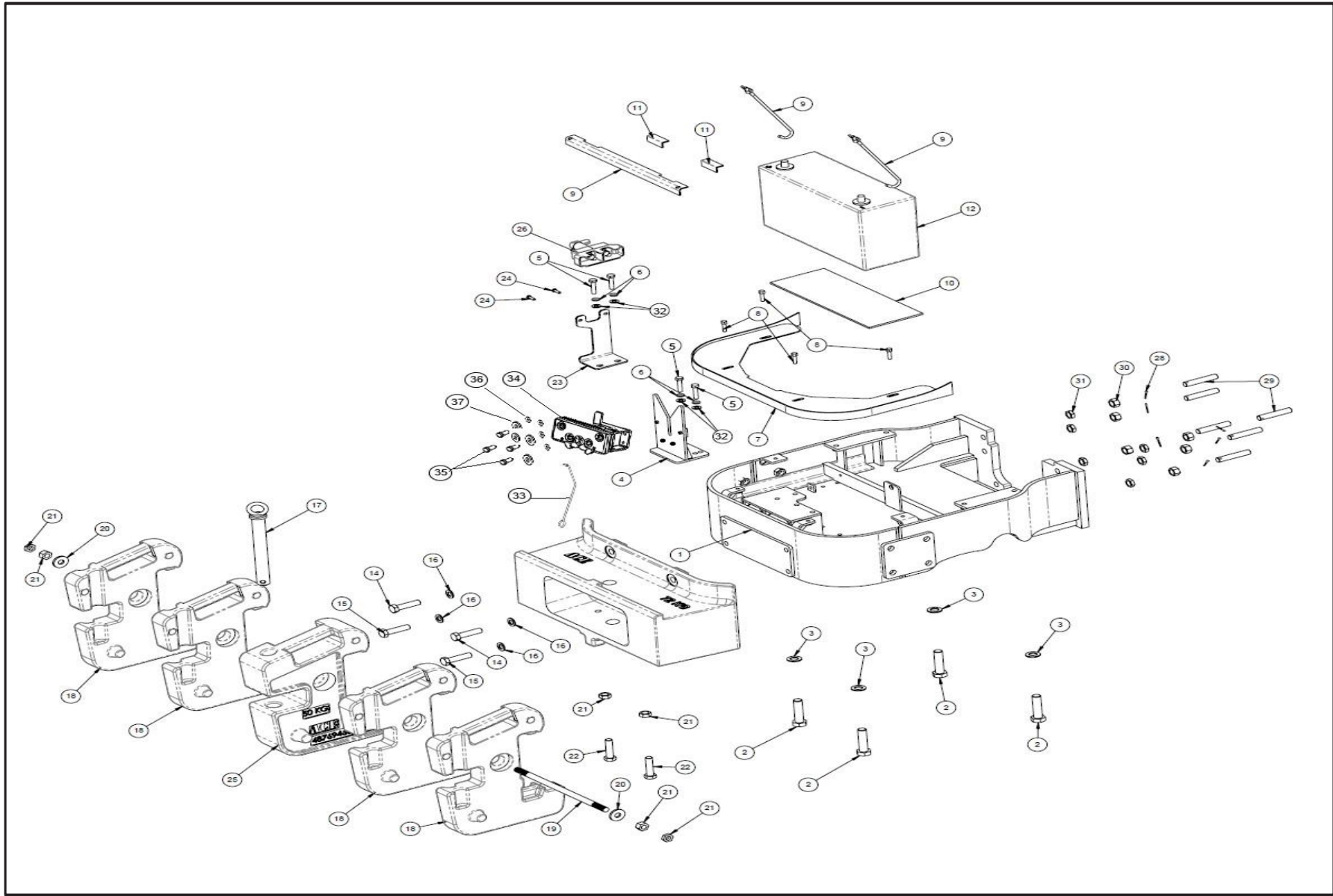
S. No.	PART NO.	PART NAME	PARÇA KODU	PARÇA ADI	ADET		AÇIKLAMA
					6000	7500	
					4WD	4WD	
16	499165322300	STOPPER PLATE; (FRONT MUD GUARD)	3605H012		2	2	
17	901501012050	HEX SCREW M10X25 GR. 8.8	3303G006	ALTIGEN CİVATA M10X25 8.8	2	2	
18	901621000000	M/C WASHER DIA 10X21X2	3605A036	PUL 10.5X21X2	2	2	
19	499165321000	DUST CAP (FRONT MUD GUARD)	3605H013		2	2	
20	901540412020	SLOTTED CHEESE HD SCREW M4X10	3605H014		6	6	
21	499165321100	TORSIONAL SPRING RH (FRONT MUD GUARD)	3605H015	ÖN ÇAMURLUK MEKANİZMASI YAYI	1	1	
22	499165321200	TORSIONAL SPRING LH (FRONT MUD GUARD)	3605H016	ÖN ÇAMURLUK MEKANİZMASI YAYI	1	1	
23	499165321300	TAPPER ROLLER BEARING 32005	3605H017	RULMAN 32005	4	4	
24	499165321400	RUBBER SEAL (FRONT MUD GUARD)	3605H018		2	2	
25	499165321500	GASKET FOR MUD GUARD CAP	3605H019		2	2	
26	499165320800	BASE (FRONT MUD GUARD)	3605H020	ÖN ÇAMURLUK BAĞLTI MEKANİZMASI	2	2	
27	499165321900	M/C WASHER 21X37X3	3605H021		2	2	



ÖN - ARKA JANT VE İLGİLİ PARÇALAR

GRUP:- P-

S. No.	PART NO.	PART NAME	PARÇA KODU	PARÇA ADI	ADET		AÇIKLAMA
					6000	7500	
					4WD	4WD	
1	466191100200	REAR TYRE (16.9''X28'') 8 PR	3305H047		2	2	
	480091410100	REAR TYRE 16.9 X30-8 PR	3305H028		2	2	
2	466191100300	REAR TUBE (16.9''X28'')	3304J033		2	2	
	480091410200	REAR TUBE FOR 16.9X30 TYRE	3304J029		2	2	
3	480091410300	REAR WHEEL W15LX30	3605I001	JANT W15LX30	2	2	
	445165400300	REAR WHEEL RIM W15X28 (DI 7575)	3605I002	JANT W15X28	2	2	
4	499171221800	ADJUSTABLE FLANGE NUT M18X1.5	3605I003		16	16	
5			3605I004	ÖN JANT 8X24	2	2	
6			3304J015	9.5-24 TT 112A6 8PR TA60 PETLAS	2	2	
7			3304J028	8.3-24/9.5-24 (TR-218A) İÇ LASTİK PETLAS	2	2	
8			3304J016	11.2/10-24 TT 116A6 8PR TA60 PETLAS	2	2	
9			3305H041	11.2-24/12.4-24 (TR-218A) İÇ LASTİK PETLAS	2	2	
10	480091410600	FRONT WHEEL RIM AG1313W 10X24	3605I005	ÖN JANT 10X24	2	2	

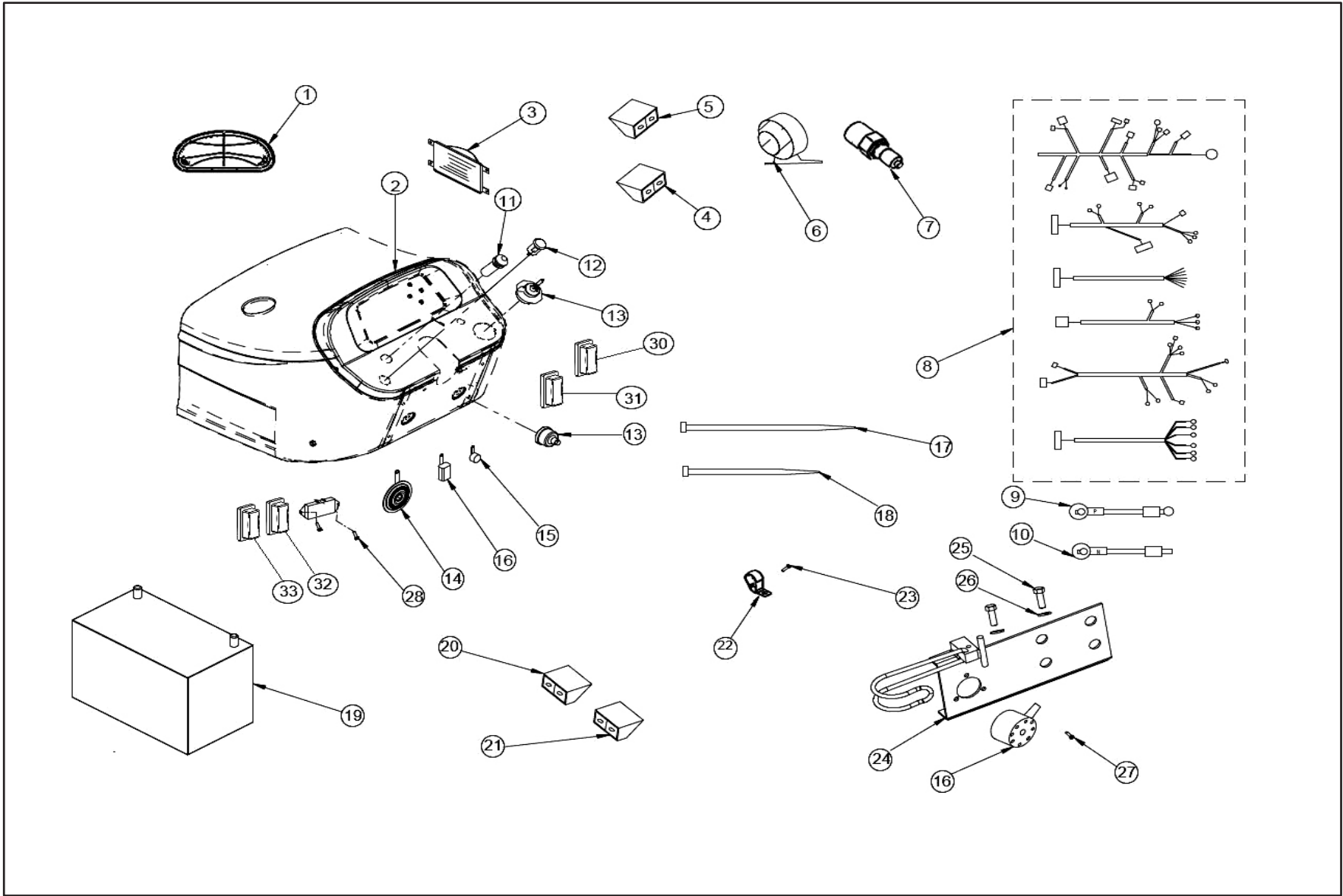


ÖN SAPORT, AĞIRLIKLAR VE İLGİLİ PARÇALAR

GRUP:- P-

S. No.	PART NO.	PART NAME	PARÇA KODU	PARÇA ADI	ADET		AÇIKLAMA
					6000	7500	
					4WD	4WD	
1	487652100100	FRONT AXLE BRACKET 75 HP (WT-89.62 KG)	3605J004	ÖN AKS SAPPORT	1	1	
2	901102011140	HEX BOLT M20X2.5X70 IS 1363-1967	3605J010		4	4	
3	901612000000	SPRING WASHER B-20	3606J030		4	4	
4	445164120500	BONNET LOCK MTG. BKT (2 HOLE MTG.)	3605J015	KAPUT KİLİDİ BAĞLANTI BRAKETİ	1	1	
5	901501011070	HEX SCREW M10X35 GR-8.8	3302E048	ALTİGEN CİVATA M10X35	4	4	
6	901611000000	SPRING WASHER B-10	3602I023	YAYLI RONDELA M10	4	4	
7	487661100100	BONNET REST PLATE 75 HP	3605J005	PLEYT (KAPUT -SAPORT ARASI)	1	1	
8	901500812070	HEX FLANGE SCREW M8X35	3602K009	FLANŞLI CİVATA M8X35	4	4	
9	424164100100	BATTERY CLAMP ASSY	3605J006	AKÜ SABİTLEME BRAKETİ	2	2	
10	423583100300	RUBBER PAD - BATTERY BIG	3605J007	AKÜ KUTUSU TAKOZU BÜYÜK	1	1	
11	423583100400	RUBBER PAD - BATTERY SMALL	3605J008	AKÜ KUTUSU TAKOZU KÜÇÜK	2	2	
12	499111419900	BATTERY 110 AH	3307A115		1	1	
13	445152101400	FRONT WEIGHT 72 KG	3605J001		1	1	
14	901501612130	SCREW HEX- M16X65 GR 8.8,IS 1363-1967	3605H011		2	2	
15	901101612190	HEX BOLT M16X95 GR-8.8, IS 1363-1967	3605J009		2	2	
16	901611600000	SPRING WASHER B-16.	3606J004		4	4	
17	487654400100	TOE HOOK PIN (75 HP)	3606J020	ÇEKİ OKU PİMİ	1	1	
17		TOE HOOK PIN (75 HP)	3606J020A	ÖN ÇEKİ PİMİ 6060-7575	1	1	

18	445151301400	HANGING WEIGHT 31KG EACH	3605J002		4	4	
19	445175615300	WEIGHT HOLDING ROD Ø16X260	3605J011		1	1	
19		WEIGHT HOLDING ROD	3605J011A	ÖN AĞIRLIK PİMİ 6 (435 MM)	1	1	
19		WEIGHT HOLDING ROD	3605J011B	ÖN AĞIRLIK PİMİ 8 (540 MM)	1	1	
20	423591602400	PLAIN WASHER (16X40X5)	3605J012		4	4	
21	901201600000	HEX NUT M16 GR. 8.8	3605E010		6	6	
22	901501612120	HEX BOLT M16x50	3311A112		2	2	
23	487664100100	BATTERY ISOLATOR MTG BRACKET	3605J013	AKÜ İZOLATÖRÜ BAĞLANTI BRAKETİ	1	1	
24	901500512030	HEX SCREW (M5X15)	3605J014		2	2	
25	487694600200	FRONT WEIGHT 50 KG	3605J003		1	1	
26	996910979800	BATTERY CUT OFF SWITCH (MPT)	3605J016		1	1	
27	433551419900	PLASTIC PLUG M18	3605J017		8	8	
28	900400200250	SPLIT PIN Ø2X25	3606E031	YARIKLI PİM D2X25	6	6	
29	487694100200	STUD 5/8 BSF (L-88 MM)	3605J018		6	6	
30	487694100300	NUT 5/8 BSF (L-14.5±0.5)	3605J019		6	6	
31	487694100400	CHUCK NUT 5/8 BSF (L-8±0.5)	3605J020		6	6	
32	901601000000	PLAIN WASHER (M10)	3302A033		4	4	
33	445152320400	PULL ROD (BONNET LOCK)	3605J021		1	1	
34	200393420900	BONNET LOCK HEAVY DUTY - AX PHANTOM	3605J022	KAPUT KİLİDİ MEKANİZMASI	1	1	
35	423532419900	HEX HEAD SCREW FOR STOPPER M6*25	3605J023	KAPUT KİLİDİ MEKANİZMASI STOPERİ	4	4	
36	901600600000	PLAIN WASHER M6	3605A016		4	4	
37	901610600000	SPRING WASHER B-6.	3606H010		4	4	

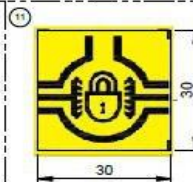
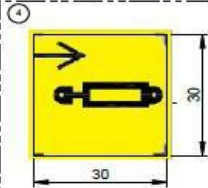
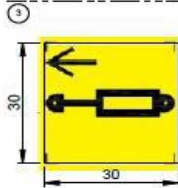
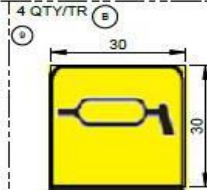
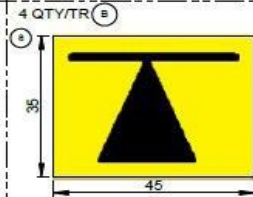
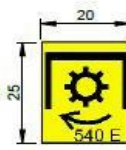
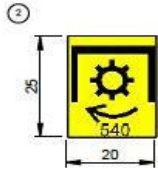
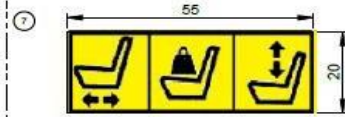
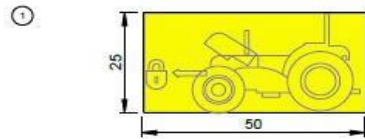


ELEKTRİK TESİSATI VE İLGİLİ PARÇALAR

GRUP:- P-

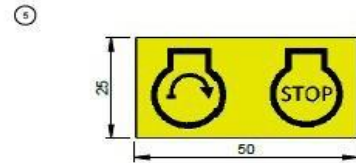
S. No.	PART NO.	PART NAME	PARÇA KODU	PARÇA ADI	ADET		AÇIKLAMA
					6000	7500	
					4WD	4WD	
1	487684100100	INSTRUMENT CLUSTER 75 HP (COBO)	3607A001	GÖSTERGE (COBO)	1	1	
2	487684100200	METER PLATE (COBO)	3607A002	GÖSTERGE ÇERÇEVESİ DIŞ	1	1	
3	487682100100	SQUARE LIGHTS LH- LHD	3607A003	ÖN FAR	2	2	
4	487682400400	REAR COMBINATION LAMP RHS (E MARKED)	3607A004	ARKA STOP LAMBASI SAĞ	1	1	
5	487682400200	REAR COMBINATION LAMP LHS (E MARKED)	3607A005	ARKA STOP LAMBASI SOL	1	1	
6	423582100600	PLOUGH LAMP ASSY. WITH H3 BULB AND GROMMET	3607A006	PULLUK LAMBASI	1	1	
7	412585100200	BRAKE LIGHT SWITCH 26 HP	3607A007	FREN MÜŞÜRÜ	1	1	
8	487681100100	WIRING HARNESS SET (CRDI)	3607A008	ELEKTRİK TESİSATI	1	1	
9	499181419900	BATTERY LEAD +ev RED L=1090	3607A009	AKÜ KABLOSU ARTI	1	1	
10	445183100200	BATTERY LEAD (-) N	3607A010	AKÜ KABLOSU EKİ	1	1	
11	487687400300	HAZARD LIGHT SWITCH	3607A011		1	1	
12	411594100300	USB MOBILE CHARGER	3607A012	DASHBOARD ÇAKMAKLIK SARJ SOKETİ	1	1	
13	423584400100	STARTING SWITCH ASSEMBLY	3607A013	KONTAK	1	1	
14	423586100200	BUZZER ASSY	3607A014	KOLTUK İKAZ SWİÇİ	1	1	
15	424082100200	HORN ASSY	3607A015	KORNA	1	1	
16	423582400300	SOCKET-7 PINS	3607A016		1	1	
17	423581400300	CABLE TIE BIG (L250MM)	3607A017		AR	AR	

18	423581400400	CABLE TIE SMALL (L200MM)	3607A018		AR	AR	
19	499111419900	BATTERY 110 AH	3307A115		1	1	
20	487682400300	FRONT COMBINATION LAMP RHS (E MARKED)	3607A019	ÖN SİNYAL LAMBASI SAĞ	1	1	
21	487682400100	FRONT COMBINATION LAMP LHS (E MARKED)	3607A020	ÖN SİNYAL LAMBASI SOL	1	1	
22	101534428300	CLAMP ENGINE HARNESS	3607A021	ELEKTRİK TESİSATI KELEPÇESİ	2	2	
23	901550812041	HEX FLANGE SCREW M8X20	3308D012	FLANŞLI CİVATA M8X20	2	2	
24	487643320300	SEVEN PIN SOCKET BKT. (75 HP)	3607A022	PRİZ BRAKETİ	1	1	
25	901501012050	MOUNTING SCREW M10X25	3303G006	ALTİGEN CİVATA M10X25 8.8	2	2	
26	901611000000	SPRING WASHER B-10	3602I023	YAYLI RONDELA M10	2	2	
27	901570612070	SLOTTED CHEESE HD SCREW M6X35	3311A026		3	3	
28	901550612031	HEX FLANGE SCREW M6X16 (YELLOW)	3311A057	ALTİGEN CİVATA M6X16	2	2	
29	901501612100	TRUSS HEAD MACHINE SCREW M4x10	3606E023		8	8	
30	487687400100	TOGGLE SWITCH 4WD (3 POSITION)	3607A023	ÇİFÇEKER DÜĞMESİ (3 POZİSYON)	1	1	
31	487687400400	REVOLVING LIGHT SWITCH	3607A024	DÖNER TEPE LAMBASI DÜĞMESİ	1	1	
32	487687400200	INDICATOR SWITCH (3 POSITION)	3607A025	SİNYAL DÜĞMESİ	1	1	
33	424082100100	LIGHT SWITCH ASSY WITH WIRE	3607A026	ÖN FAR DÜĞMESİ	1	1	



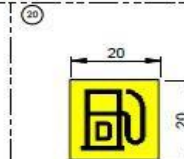
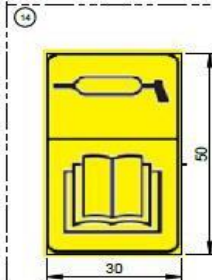
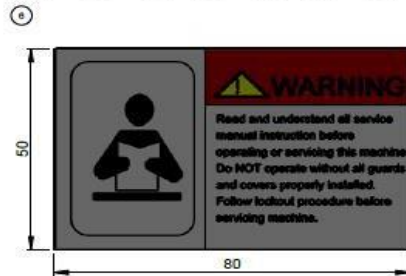
RECOMMENDED PRESSURE OF TYRES (kPa)

TYRE SIZE	ON ROAD	OFF ROAD
16.9-30	200	180
11.2-24	150	140



RECOMMENDED PRESSURE OF TYRES (kPa)

TYRE SIZE	ON ROAD	OFF ROAD
16.9-28	200	180
9.5-24	150	140



ETİKETLER VE İLGİLİ PARÇALAR

GRUP:- P-

S. No.	PART NO.	PART NAME	PARÇA KODU	PARÇA ADI	ADET		AÇIKLAMA
					6000	7500	
					4WD	4WD	
1	487692400100	STICKER SET (INSTRUCTION & SYMBOL)	3608A001	ETİKET SETİ	1	1	
2			3608A002	ROPS ETİKETİ	1	1	
3			3608A003	ÇEKİ ETİKETİ	1	1	
4			3608A004	KAPUT YAN KUŞAK ETİKETİ SAĞ	1	1	
5			3608A005	KAPUT YAN KUŞAK ETİKETİ SOL	1	1	
6			3608A006	KAPUT ETİKETİ 7575	1	1	
7			3608A007	KAPUT ETİKETİ 6060	1	1	
8			3608A008	EL GAZI ETİKETİ	1	1	

ELEKTRİKLİ KOMPRESÖR VE İLGİLİ PARÇALAR					GRUP:- P-
S. No.	PARÇA KODU	PARÇA ADI	ADET		AÇIKLAMA
			6000	7500	
			4WD	4WD	
1	3309F001	HAVA KOMPRESÖRÜ SETİ (ELEKTRİKLİ)	1	1	
2	3609F002	HAVA KOMPRESÖRÜ BRAKETİ AGRIFARM	1	1	
3	3609F003	HAVA KOMPRESÖR MUHAFAZASI	1	1	
4	3609F004	HAVA KOMPRESÖRÜ BRAKETİ TENTELİ	1	1	
5	3309F006	HAVA KOMPRESÖR TABANCASI	1	1	
6	3309F005	HAVA KOMPRESÖRÜ TABANCASI BRAKETİ	1	1	

ORJİNAL KABİN VE İLGİLİ PARÇALAR					GRUP:- P-
S. No.	PARÇA KODU	PARÇA ADI	ADET		AÇIKLAMA
			6000	7500	
			4WD	4WD	
1	3609A001	ORJİNAL KABİN AGRIFARM (DAĞCILAR)	1	1	
2	3609A010	DİJİTAL KLİMA SETİ AGRIFARM (DAĞCILAR)	1	1	
3	3609A011	KALORİFER SICAK HORTUM BAĞLANTI REKORU	1	1	
4	3609A012	SİNYAL KOLU ARA KABLO	1	1	
5	3309E005	SİNYAL KOLU	1	1	
6	3609A013	KALORİFER SICAK HORTUM T REKOR	1	1	
7	3609A014	KABİN KAPUT ARASI KAPAMA	1	1	
8	3609A015	SİNYAL KOLU BRAKETİ	1	1	
9	3609A016	KLİMA KOMPRESÖR KAYIŞI 12.5X1900	1	1	
10	3609A017	YAYLI HORTUM KELEPÇESİ 20 MM	1	1	3609A013 için
11	3609A018	KLİMA KOMPRESÖR DESTEK AYAĞI	1	1	
12	3609A019	KABİN ÖN BAĞLANTI KOMPLE	1	1	
12	3609A019A	KABİN ÖN BAĞLANTI KOMPLE R1	1	1	
13	3609A020	KABİN PASPAS	1	1	
14	3609A021	KABİN BASAMAK	2	2	
15	3609A022	DEPO BAĞLANTI PLATFORMU	1	1	
16	3609A023	DEPO BAĞLANTI BRAKETİ	1	1	
17	3609A024	DEPO BAĞLANTI KUŞAĞI KISA	1	1	
18	3609A025	DEPO BAĞLANTI KUŞAĞI UZUN	1	1	
19	3609A026	KOMPRESÖR BAĞLANTI BRAKETİ	1	1	
20	3609A027	KOMPRESÖR BRAKETİ SAĞ MESNET	1	1	
21	3609A028	KOMPRESÖR BRAKETİ SOL MESNET	1	1	
22	3609A029	KOMPRESÖR EK BAĞLANTI BRAKETİ	1	1	
23	3609A030	GENLEŞME TANKI (YEDEK SU TANKI) BRAKETİ	1	1	
24	3609A031	SAĞ KAPAMA BRAKETİ	1	1	
25	3609A032	SOL KAPAMA BRAKETİ	1	1	
26	3609A033	SAĞ KAPAMA EK BRAKET	1	1	
27	3609A034	SOL KAPAMA EK BRAKET	1	1	
28	3609A035	ÖN BAĞLANTI ŞANZİMAN MESNEDİ SAĞ	1	1	

29	3609A036	ÖN BAĞLANTI ŞANZİMAN MESNEDİ SOL	1	1	
30	3609A037	EL GAZI BRAKETİ	1	1	
31	3609A038	AYAK GAZ PEDALI BRAKETİ	1	1	
32	3609A039	PATİNAJ BAĞLANTI BRAKETİ	1	1	
33	3609A040	SERVİS KAPAĞI (DAMPER VALFİ KOLLARI)	1	1	
34	3609A041	DEBRİYAJ ÜST BAĞLANTI MİLİ	1	1	
35	3609A042	FREN ÜST BAĞLANTI MİLİ	2	2	
36	3609A043	KABİN TAKOZU	2	2	
37	3609A044	TAKOZ ALT PLAKASI	2	2	
38	3609A045	KAPUT PİSTON BRAKETİ	1	1	
39	3609A046	TAKIM ÇANTASI (BRAKETİ İLE BİRLİKTE)	1	1	
40	3609A047	GÖSTERGE SACI	1	1	
41	3609A048	RADYO KUMANDASI (KUTUSU İLE BİRLİKTE)	1	1	
42	3709A049	KABİN SAĞ MESNET 90	1	1	
43	3709A050	KABİN SOL MESNET 90	1	1	
44	3709A051	KABİN YANGIN DUVARI 90	1	1	
45	3309E020	PATİNAJ PEDALI KELEBEK RULMANI (DAĞCILAR ORJİNAL K	1	1	
46	3309E010A	DİREKSİYON KAPAMA SOL KOMPLE	1	1	
	3309E010B	DİREKSİYON KAPAMA SOL AGRIFARM	1	1	2025 MODEL VE SONRASI
47	3309E011A	DASHBOARD GÖVDE ALT MONTAJ	1	1	
	3309E011B	DASHBOARD GÖVDE ALT MONTAJ AGRIFARM	1	1	2025 MODEL VE SONRASI
48	3309E012A	DİREKSİYON KAPAMA SAĞ KOMPLE	1	1	
	3309E012B	DİREKSİYON KAPAMA SAĞ AGRIFARM	1	1	2025 MODEL VE SONRASI
49	3309E013A	DASHBOARD ÜST KAPAK SİYAH	1	1	
	3309E013B	DASHBOARD SERVİS KAPAĞI SİYAH AGRIFARM	1	1	2025 MODEL VE SONRASI
50	3309E014B	DİREKSİYON KAPAMA ÜST TİP-3 (6000 7000 İÇİN)	1	1	
51	3309E015	DASHBAORD DÜĞME YUVASI (DAĞCILAR ORJİNAL KABİN İÇİ	1	1	
52	3309E016	DASHBAORD DÜĞME YUVASI KAPAĞI (DAĞCILAR)	1	1	
53	3609A054	SİNYAL KOLU ARA KABLO 4'LÜ	1	1	
54			1	1	